

PARTS LIST						
ITEM	QTY	PART NO.	PART DESCRIPTION	LENGTH	UNIT WT.	NET WT.
1	6	X-LWRM	RING MOUNT WELDMNT		68.81	412.85
2	66	G58LW	5/8" HDG LOCKWASHER		0.03	1.72
3	60	A58NUT	5/8" HDG A325 HEX NUT		0.13	7.79
4	18	G58R-24	5/8" x 24" THREADED ROD (HDG.)		2.09	37.63
5	18	G58R-48	5/8" x 48" THREADED ROD (HDG.)		4.18	75.27
6	24	A58234	5/8" x 2-3/4" HDG A325 HEX BOLT	2 3/4 in	0.36	8.54
7	24	A58FW	5/8" HDG A325 FLATWASHER		0.03	0.82
8	36	X-UB1306	1/2" X 3-5/8" X 6" X 3" U-BOLT (HDG.)		0.83	29.82
9	264	G12FW	1/2" HDG USS FLATWASHER	3/32 in	0.03	9.00
10	252	G12LW	1/2" HDG LOCKWASHER	1/8 in	0.01	3.50
11	252	G12NUT	1/2" HDG HEAVY 2H HEX NUT		0.07	18.05
12	12	P3096	2-7/8" OD X 96" SCH 40 GALVANIZED PIPE	96 in	49.24	590.88
13	48	X-UB1300	1/2" X 3" X 5" X 2" U-BOLT (HDG.)		0.67	32.11
14	3	P3150	3-1/2" X 150" (3" SCH 40) GALVANIZED PIPE	150 in	94.80	284.40
15	3	X-SV196	LOW PROFILE PLATFORM CORNER		212.10	636.31
16	3	P2150	2-3/8" O.D. X 150" SCH 40 GALVANIZED PIPE	150 in	45.77	137.31
17	12	SCX2	CROSSOVER PLATE	7 in	4.80	57.56
18	36	X-UB1212	1/2" X 2-1/2" X 4-1/2" X 2" U-BOLT (HDG.)		0.60	21.50
19	15	SCX4	CROSSOVER PLATE	8 1/2 in	6.02	90.32
20	6	G58NUT	5/8" HDG HEAVY 2H HEX NUT		0.13	0.78
21	6	X-253993	PLATFORM REINFORCEMENT KIT ANGLE	52 25/32 in	14.33	85.99
22	6	X-TBW	T-BRACKET WELDMNT		13.60	81.60
23	6	G5802	5/8" x 2" HDG HEX BOLT GR5		0.27	1.62
24	12	G12065	1/2" x 6-1/2" HDG HEX BOLT GR5 FULL THREAD	5 1/2 in	0.41	4.91
25	3	X-AHCP	ANGLE HANDRAIL CORNER PLATE		12.92	38.76
					TOTAL WT. #	2669.03

**TOLERANCE NOTES**  
 TOLERANCES ON DIMENSIONS, UNLESS OTHERWISE NOTED ARE:  
 SAWED, SHEARED AND GAS CUT EDGES ( $\pm 0.030"$ )  
 DRILLED AND GAS CUT HOLES ( $\pm 0.030"$ ) - NO CONING OF HOLES  
 LASER CUT EDGES AND HOLES ( $\pm 0.010"$ ) - NO CONING OF HOLES  
 BENDS ARE  $\pm 1/2$  DEGREE  
 ALL OTHER MACHINING ( $\pm 0.030"$ )  
 ALL OTHER ASSEMBLY ( $\pm 0.060"$ )

**PROPRIETARY NOTE:**  
 THE DATA AND TECHNIQUES CONTAINED IN THIS DRAWING ARE PROPRIETARY INFORMATION OF VALMONT INDUSTRIES AND CONSIDERED A TRADE SECRET. ANY USE OR DISCLOSURE WITHOUT THE CONSENT OF VALMONT INDUSTRIES IS STRICTLY PROHIBITED.

**DESCRIPTION**  
 12' 6" LOW PROFILE PLATFORM  
 WITH TWELVE 2-7/8" ANTENNA MOUNTING  
 PIPES, AND HANDRAIL

CPD NO. 4488    DRAWN BY CEK 3/24/2014    ENG. APPROVAL  
 CLASS 81    SUB 02    DRAWING USAGE CUSTOMER    CHECKED BY BMC 7/14/2014

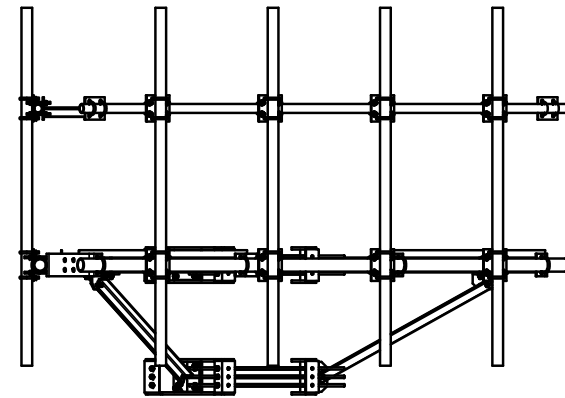
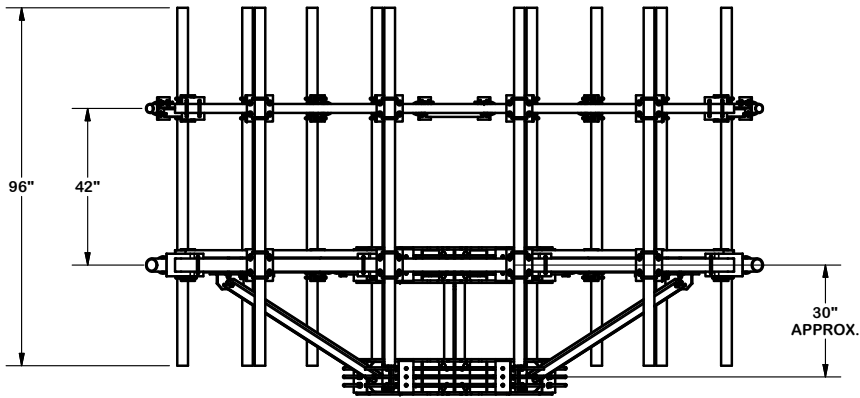
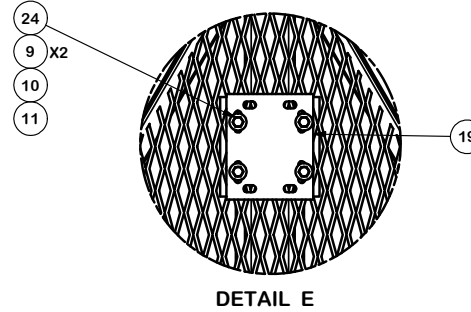
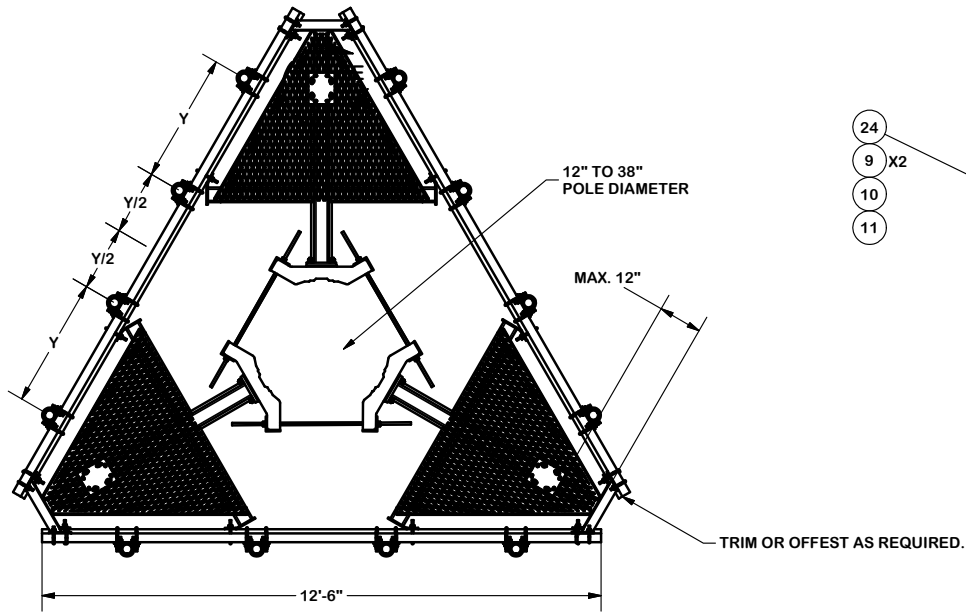
**SITE PRO 1**  
 A valmont COMPANY

Locations:  
 New York, NY  
 Atlanta, GA  
 Los Angeles, CA  
 Plymouth, IN  
 Salem, OR  
 Dallas, TX

Engineering Support Team:  
 1-888-753-7446

PART NO. **RMQP-4096-HK**  
 DWG. NO. **RMQP-4096-HK**

REV	DESCRIPTION OF REVISIONS	CPD	BY	DATE
B	CHANGED X-253992 TO X-TBW		CEK	9/20/2018
A	REPLACED HCP WITH X-AHCP	4488	CEK	7/14/2014
REVISION HISTORY				



**TOLERANCE NOTES**

TOLERANCES ON DIMENSIONS, UNLESS OTHERWISE NOTED ARE:  
 SAWED, SHEARED AND GAS CUT EDGES ( $\pm 0.030"$ )  
 DRILLED AND GAS CUT HOLES ( $\pm 0.030"$ ) - NO CONING OF HOLES  
 LASER CUT EDGES AND HOLES ( $\pm 0.010"$ ) - NO CONING OF HOLES  
 BENDS ARE  $\pm 1/2$  DEGREE  
 ALL OTHER MACHINING ( $\pm 0.030"$ )  
 ALL OTHER ASSEMBLY ( $\pm 0.060"$ )

PROPRIETARY NOTE:  
 THE DATA AND TECHNIQUES CONTAINED IN THIS DRAWING ARE PROPRIETARY INFORMATION OF VALMONT INDUSTRIES AND CONSIDERED A TRADE SECRET. ANY USE OR DISCLOSURE WITHOUT THE CONSENT OF VALMONT INDUSTRIES IS STRICTLY PROHIBITED.

DESCRIPTION  
 12' 6" LOW PROFILE PLATFORM  
 WITH TWELVE 2-7/8" ANTENNA MOUTING  
 PIPES, AND HANDRAIL



Engineering Support Team:  
 1-888-753-7446

Locations:  
 New York, NY  
 Atlanta, GA  
 Los Angeles, CA  
 Plymouth, IN  
 Salem, OR  
 Dallas, TX

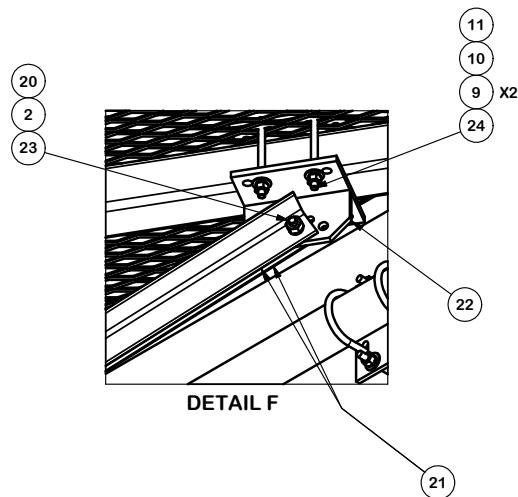
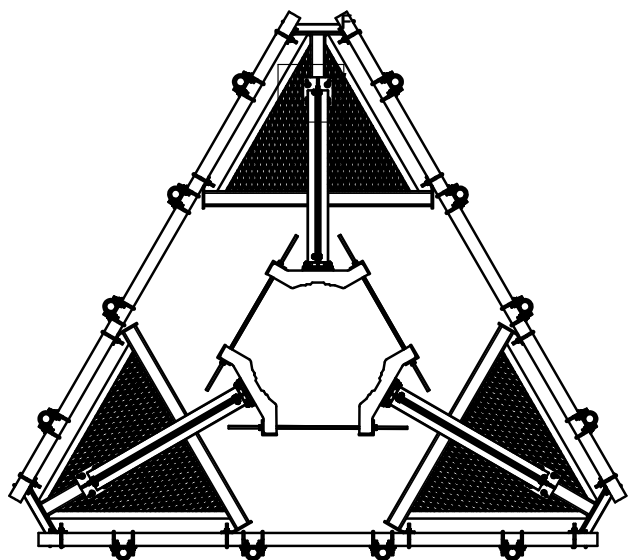
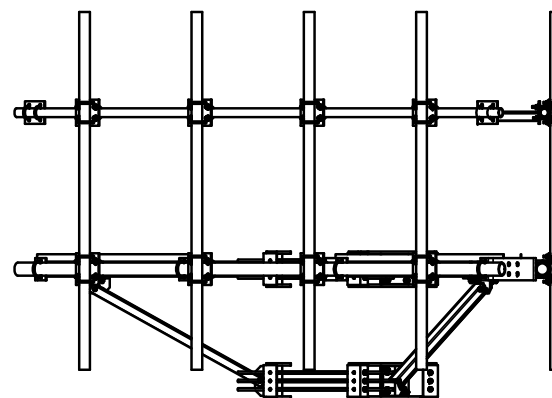
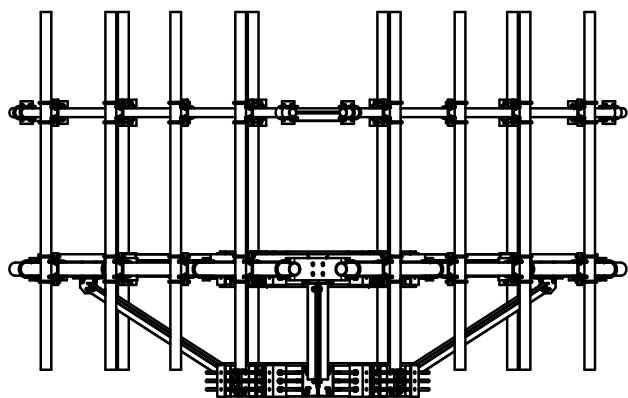
A valmont COMPANY

REV	DESCRIPTION OF REVISIONS	CPD	BY	DATE
B	CHANGED X-253992 TO X-TBW		CEK	9/20/2018
A	REPLACED HCP WITH X-AHCP	4488	CEK	7/14/2014

REVISION HISTORY

CPD NO.	4488	DRAWN BY	CEK 3/24/2014	ENG. APPROVAL
CLASS	81	SUB	02	DRAWING USAGE
			CUSTOMER	CHECKED BY
				BMC 7/14/2014

PART NO.	RMQP-4096-HK
DWG. NO.	RMQP-4096-HK



**TOLERANCE NOTES**

TOLERANCES ON DIMENSIONS, UNLESS OTHERWISE NOTED ARE:  
 SAWED, SHEARED AND GAS CUT EDGES ( $\pm 0.030"$ )  
 DRILLED AND GAS CUT HOLES ( $\pm 0.030"$ ) - NO CONING OF HOLES  
 LASER CUT EDGES AND HOLES ( $\pm 0.010"$ ) - NO CONING OF HOLES  
 BENDS ARE  $\pm 1/2$  DEGREE  
 ALL OTHER MACHINING ( $\pm 0.030"$ )  
 ALL OTHER ASSEMBLY ( $\pm 0.060"$ )

PROPRIETARY NOTE:  
 THE DATA AND TECHNIQUES CONTAINED IN THIS DRAWING ARE PROPRIETARY INFORMATION OF VALMONT INDUSTRIES AND CONSIDERED A TRADE SECRET. ANY USE OR DISCLOSURE WITHOUT THE CONSENT OF VALMONT INDUSTRIES IS STRICTLY PROHIBITED.

DESCRIPTION  
 12' 6" LOW PROFILE PLATFORM  
 WITH TWELVE 2-7/8" ANTENNA MOUTING  
 PIPES, AND HANDRAIL



Engineering  
 Support Team:  
 1-888-753-7446

Locations:  
 New York, NY  
 Atlanta, GA  
 Los Angeles, CA  
 Plymouth, IN  
 Salem, OR  
 Dallas, TX

A valmont COMPANY

CPD NO. 4488	DRAWN BY CEK 3/24/2014	ENG. APPROVAL
CLASS SUB 81 02	DRAWING USAGE CUSTOMER	CHECKED BY BMC 7/14/2014

PART NO. RMQP-4096-HK	PAGE 3 OF 3
DWG. NO. RMQP-4096-HK	

REV	DESCRIPTION OF REVISIONS	CPD	BY	DATE
B	CHANGED X-253992 TO X-TBW		CEK	9/20/2018
A	REPLACED HCP WITH X-AHCP	4488	CEK	7/14/2014
REVISION HISTORY				