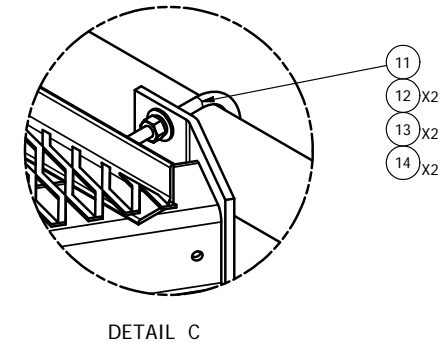
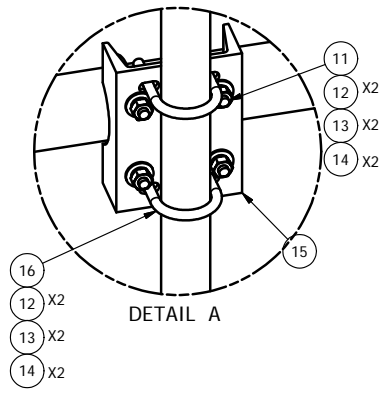


PARTS LIST						
ITEM	QTY	PART NO.	PART DESCRIPTION	LENGTH	UNIT WT.	NET WT.
1	3	X-LWRM	RING MOUNT WELDMENT		68.81	206.42
2	6	X-178627	BENT EXTENSION BRACKET		15.80	94.79
3	18	A5802	5/8" x 2" HDG A325 HEX BOLT		0.27	4.89
4	9	G58R-48	5/8" x 48" THREADED ROD (HDG.)		0.40	3.59
4	9	G58R-24	5/8" x 24" THREADED ROD (HDG.)		0.40	3.59
5	3	X-SV196	LOW PROFILE PLATFORM CORNER		212.10	636.31
6	12	A58234	5/8" x 2-3/4" HDG A325 HEX BOLT	2.75	0.36	4.27
7	30	A58FW	5/8" HDG A325 FLATWASHER		0.03	1.02
8	30	G58LW	5/8" HDG LOCKWASHER		0.03	0.78
9	48	A58NUT	5/8" HDG A325 HEX NUT		0.13	6.23
10	3	P3174	3-1/2" X 174" SCH 40 GALVANIZED PIPE	174.000 in	109.97	329.90
11	30	X-UB1306	1/2" X 3-5/8" X 6" X 3" U-BOLT (HDG.)		0.26	7.71
12	96	G12FW	1/2" HDG USS FLATWASHER		0.03	3.27
13	96	G12LW	1/2" HDG LOCKWASHER		0.01	1.33
14	96	G12NUT	1/2" HDG HEAVY 2H HEX NUT		0.07	6.88
15	9	X-SP219	SMALL SUPPORT CROSS PLATE	8.250 in	8.61	77.50
16	18	X-UB1212	1/2" X 2-1/2" X 4-1/2" X 2" U-BOLT (HDG.)		0.26	4.63
17	9	B	ANTENNA MOUNTING PIPE	C	D	E



2-3/8" O.D. VERTICAL MOUNTING PIPES						
ASSEMBLY NO. "A"	PART NO. "B"	LENGTH, "C"	UNIT WEIGHT, "D"	NET WEIGHT, "E"	TOTAL WEIGHT	
RMVP-363	P263	63"	20.18	181.62	1642.55	
RMVP-372	P272	72"	23.07	207.63	1668.56	
RMVP-384	P284	84"	26.91	242.19	1703.12	
RMVP-396	P296	96"	30.76	276.84	1737.77	
RMVP-3126	P2126	126"	40.75	366.75	1827.68	

A	ADDED 10' 6" ANTENNA MOUNTING PIPE	CPD	CEK	7/9/2015
REV	DESCRIPTION OF REVISIONS	CPD	BY	DATE
REVISION HISTORY				

TOLERANCE NOTE
TOLERANCES ON DIMENSIONS, UNLESS OTHERWISE NOTED ARE: SAWED, SHEARED AND GAS CUT EDGES (± 0.030")
DRILLED AND GAS CUT HOLES (± 0.030") - NO CONING OF HOLES
LASER CUT EDGES AND HOLES (± 0.010") - NO CONING OF HOLES
BENDS ARE ± 1/2 DEGREE - ALL OTHER MACHINING (± 0.030")
ALL OTHER ASSEMBLY (± 0.060")

PROPRIETARY NOTE
 THE DATA AND TECHNIQUES CONTAINED IN THIS DRAWING ARE PROPRIETARY INFORMATION OF VALMONT INDUSTRIES AND CONSIDERED A TRADE SECRET. ANY USE OR DISCLOSURE WITHOUT THE CONSENT OF VALMONT INDUSTRIES IS STRICTLY PROHIBITED.

DESCRIPTION
 LOW PROFILE CO-LOCATION PLATFORM
 FOR 9 ANTENNAS WITH 14' 6" FACE WIDTH
 FOR 30" - 60" DIAMETER POLES

DRAWN BY
 CEK 1/20/2012

CPD NO.
 [Blank]

DRAWING USAGE
 CUSTOMER

ENG. APPROVAL
 [Blank]

CHECKED BY
 BMC 7/9/2015

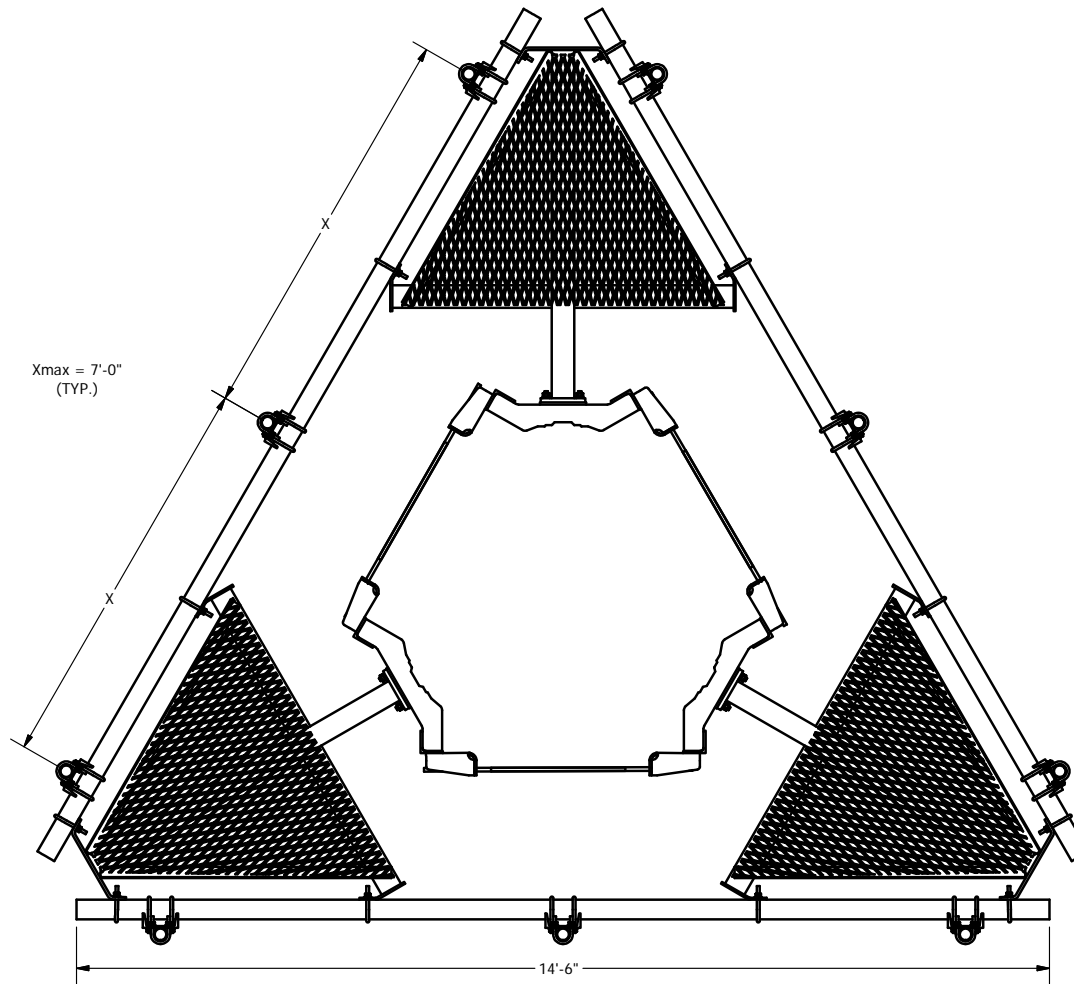
SITE PRO 1

Engineering Support Team:
 1-888-753-7446

Locations:
 New York, NY
 Atlanta, GA
 Los Angeles, CA
 Plymouth, IN
 Salem, OR
 Dallas, TX

PART NO. RMVP-3XX

DWG. NO. RMVP-3XX



Xmax = 7'-0"
(TYP.)

14'-6"

TOLERANCE NOTE

TOLERANCES ON DIMENSIONS, UNLESS OTHERWISE NOTED ARE:
SAWED, SHEARED AND GAS CUT EDGES (± 0.030 ")
DRILLED AND GAS CUT HOLES (± 0.030 ") - NO CONING OF HOLES
LASER CUT EDGES AND HOLES (± 0.010 ") - NO CONING OF HOLES
BENDS ARE $\pm 1/2$ DEGREE - ALL OTHER MACHINING (± 0.030 ")
ALL OTHER ASSEMBLY (± 0.060 ")

PROPRIETARY NOTE

THE DATA AND TECHNIQUES CONTAINED IN THIS DRAWING ARE PROPRIETARY INFORMATION OF VALMONT INDUSTRIES AND CONSIDERED A TRADE SECRET. ANY USE OR DISCLOSURE WITHOUT THE CONSENT OF VALMONT INDUSTRIES IS STRICTLY PROHIBITED.

DESCRIPTION

LOW PROFILE CO-LOCATION PLATFORM
 FOR 9 ANTENNAS WITH 14' 6" FACE WIDTH
 FOR 30" - 60" DIAMETER POLES

DRAWN BY

CEK 1/20/2012

CPD NO.

DRAWING USAGE

CUSTOMER

ENG. APPROVAL

CHECKED BY

BMC 7/9/2015

PART NO.

RMVP-3XX

DWG. NO.

RMVP-3XX



Engineering
 Support Team:
 1-888-753-7446

Locations:
 New York, NY
 Atlanta, GA
 Los Angeles, CA
 Plymouth, IN
 Salem, OR
 Dallas, TX

A valmont COMPANY