

PARTS LIST						
ITEM	QTY	PART NO.	PART DESCRIPTION	LENGTH	UNIT WT.	NET WT.
1	6	X-LWRM	RING MOUNT WELDMENT		68.81	412.85
2	102	G58LW	5/8" HDG LOCKWASHER		0.03	2.66
3	96	A58NUT	5/8" HDG A325 HEX NUT		0.13	12.47
4	18	G58R-24	5/8" x 24" THREADED ROD (HDG.)		2.09	37.63
4	18	G58R-48	5/8" x 48" THREADED ROD (HDG.)		4.18	75.27
5	24	A58234	5/8" x 2-3/4" HDG A325 HEX BOLT	2 3/4 in	0.36	8.54
6	24	A58FW	5/8" HDG A325 FLATWASHER		0.03	0.82
7	36	X-UB1306	1/2" X 3-5/8" X 6" X 3" U-BOLT (HDG.)		0.83	29.82
8	264	G12FW	1/2" HDG USS FLATWASHER	3/32 in	0.03	9.00
9	252	G12LW	1/2" HDG LOCKWASHER	1/8 in	0.01	3.50
10	252	G12NUT	1/2" HDG HEAVY 2H HEX NUT		0.07	18.05
11	12	P3096	2-7/8" X 96" (2-1/2" SCH 40) GALVANIZED PIPE	96 in	49.24	590.88
12	3	P3174	3-1/2" X 174" SCH 40 GALVANIZED PIPE	174 in	109.97	329.90
13	3	X-SV196	LOW PROFILE PLATFORM CORNER		212.10	636.31
14	3	P2174	2-3/8" OD X 174" SCH 40 GALVANIZED PIPE	174 in	55.75	167.24
15	12	SCX2	CROSSOVER PLATE	7 in	4.80	57.56
16	36	X-UB1212	1/2" X 2-1/2" X 4-1/2" X 2" U-BOLT (HDG.)		0.63	22.51
17	15	SCX4	CROSSOVER PLATE	8 1/2 in	6.02	90.32
18	6	G58NUT	5/8" HDG HEAVY 2H HEX NUT		0.13	0.78
19	6	X-253993	PLATFORM REINFORCEMENT KIT ANGLE	52 25/32 in	14.33	85.99
20	6	X-TBW	T-BRACKET WELDMENT		13.60	81.60
21	6	G5802	5/8" x 2" HDG HEX BOLT GR5		0.27	1.62
22	12	G12065	1/2" x 6-1/2" HDG HEX BOLT GR5 FULL THREAD	5 1/2 in	0.41	4.91
23	3	X-AHCP	ANGLE HANDRAIL CORNER PLATE		12.92	38.76
24	12	X-178627	BENT EXTENSION BRACKET	15 in	15.80	189.58
25	36	A5802	5/8" x 2" HDG A325 HEX BOLT		0.27	9.78
26	48	X-UB1300	1/2" X 3" X 5" X 2" U-BOLT (HDG.)		0.70	33.45
TOTAL WT. #					2949.44	

TOLERANCE NOTES
 TOLERANCES ON DIMENSIONS, UNLESS OTHERWISE NOTED ARE:
 SAWED, SHEARED AND GAS CUT EDGES (± 0.030")
 DRILLED AND GAS CUT HOLES (± 0.030") - NO CONING OF HOLES
 LASER CUT EDGES AND HOLES (± 0.010") - NO CONING OF HOLES
 BENDS ARE ± 1/2 DEGREE
 ALL OTHER MACHINING (± 0.030")
 ALL OTHER ASSEMBLY (± 0.060")

DESCRIPTION
**14' 6" LOW PROFILE PLATFORM
 WITH TWELVE 2-7/8" ANTENNA MOUTING
 PIPES, AND SUPPORT RAIL**

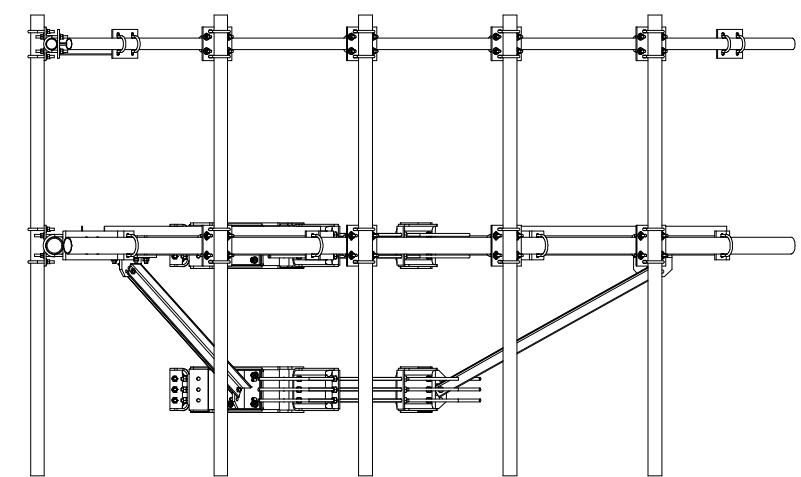
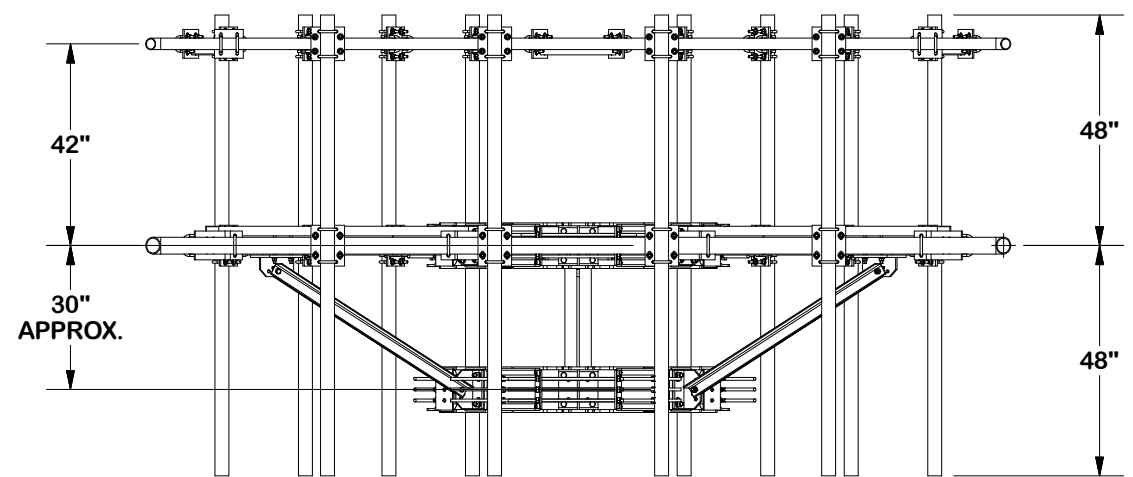
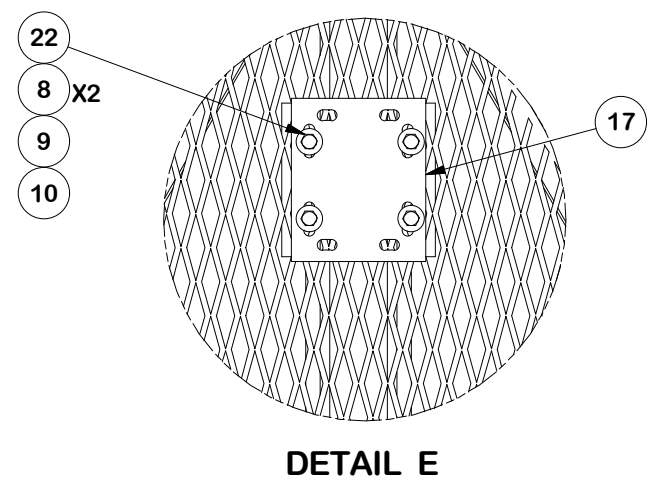
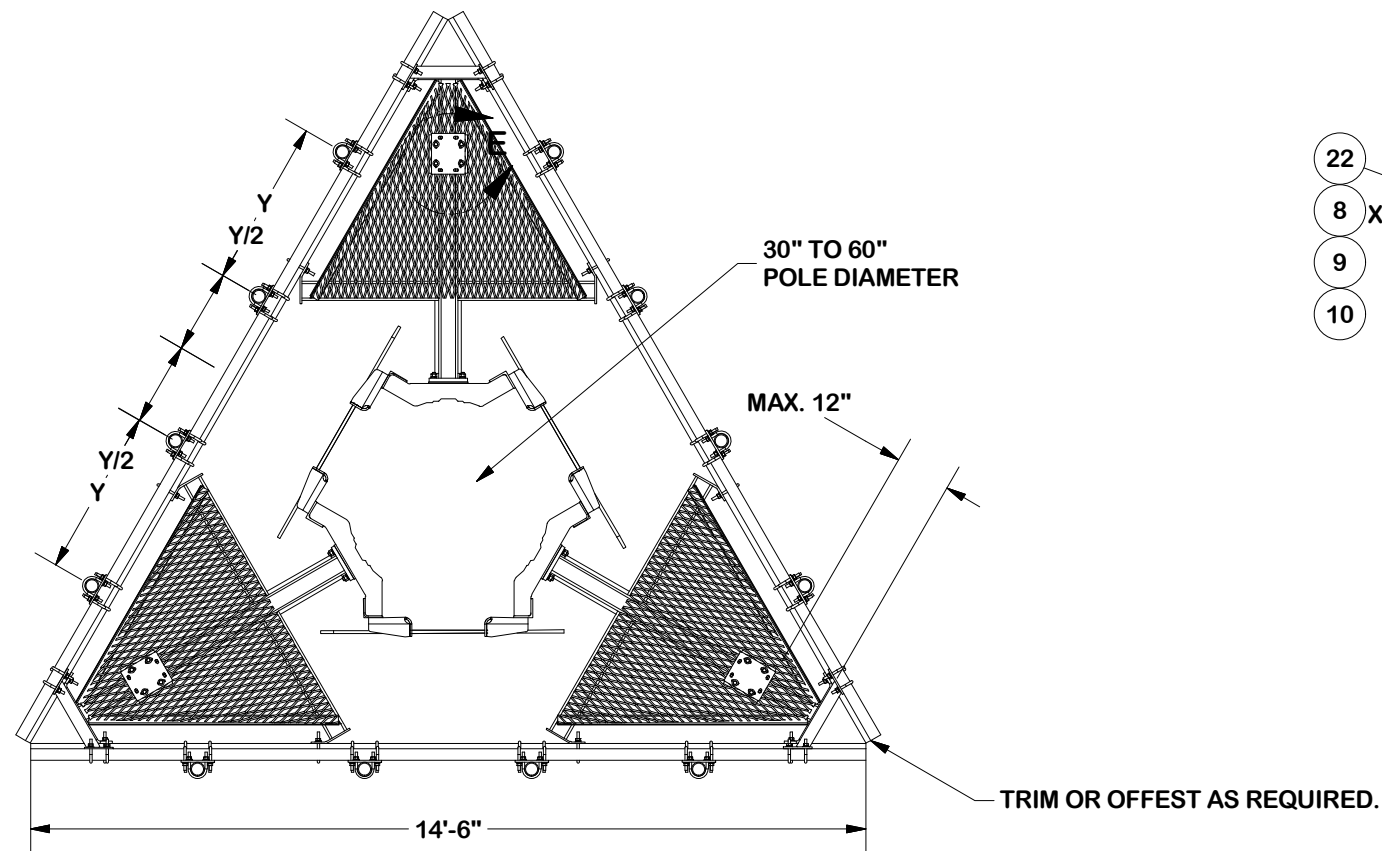
SITE PRO 1
 Engineering Support Team:
 1-888-753-7446
 Locations:
 New York, NY
 Atlanta, GA
 Los Angeles, CA
 Plymouth, IN
 Salem, OR
 Dallas, TX
 A valmont COMPANY

REV	DESCRIPTION OF REVISIONS	CPD	BY	DATE
B	RELOCATED MOUNT PIPE POSITIONS		CSL	5/21/21
A	CHANGED X-253992 WITH X-TBW	4488	CEK	9/20/2018

REVISION HISTORY

CPD NO.	DRAWN BY	ENG. APPROVAL
4488	CEK 5/21/2021	
CLASS	DRAWING USAGE	CHECKED BY
87	CUSTOMER	BMC 7/22/2015

PART NO.	DWG. NO.
RMVP-4096-HK	RMVP-4096-HK



TOLERANCE NOTES

TOLERANCES ON DIMENSIONS, UNLESS OTHERWISE NOTED ARE:
 SAWED, SHEARED AND GAS CUT EDGES ($\pm 0.030''$)
 DRILLED AND GAS CUT HOLES ($\pm 0.030''$) - NO CONING OF HOLES
 LASER CUT EDGES AND HOLES ($\pm 0.010''$) - NO CONING OF HOLES
 BENDS ARE $\pm 1/2$ DEGREE
 ALL OTHER MACHINING ($\pm 0.030''$)
 ALL OTHER ASSEMBLY ($\pm 0.060''$)

PROPRIETARY NOTE:
 THE DATA AND TECHNIQUES CONTAINED IN THIS DRAWING ARE PROPRIETARY INFORMATION OF VALMONT INDUSTRIES AND CONSIDERED A TRADE SECRET. ANY USE OR DISCLOSURE WITHOUT THE CONSENT OF VALMONT INDUSTRIES IS STRICTLY PROHIBITED.

DESCRIPTION
**14' 6" LOW PROFILE PLATFORM
 WITH TWELVE 2-7/8" ANTENNA MOUTING
 PIPES, AND SUPPORT RAIL**

SITE PRO 1
 A valmont COMPANY

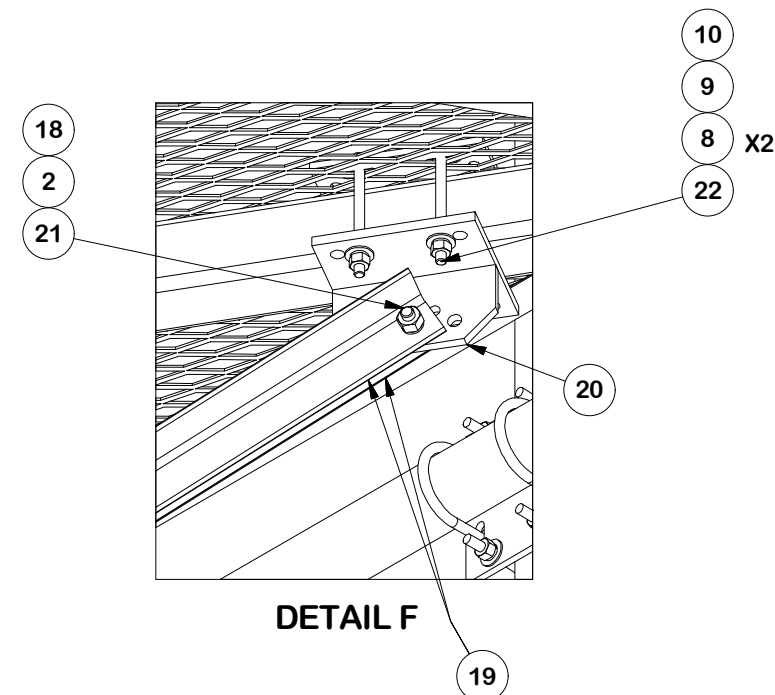
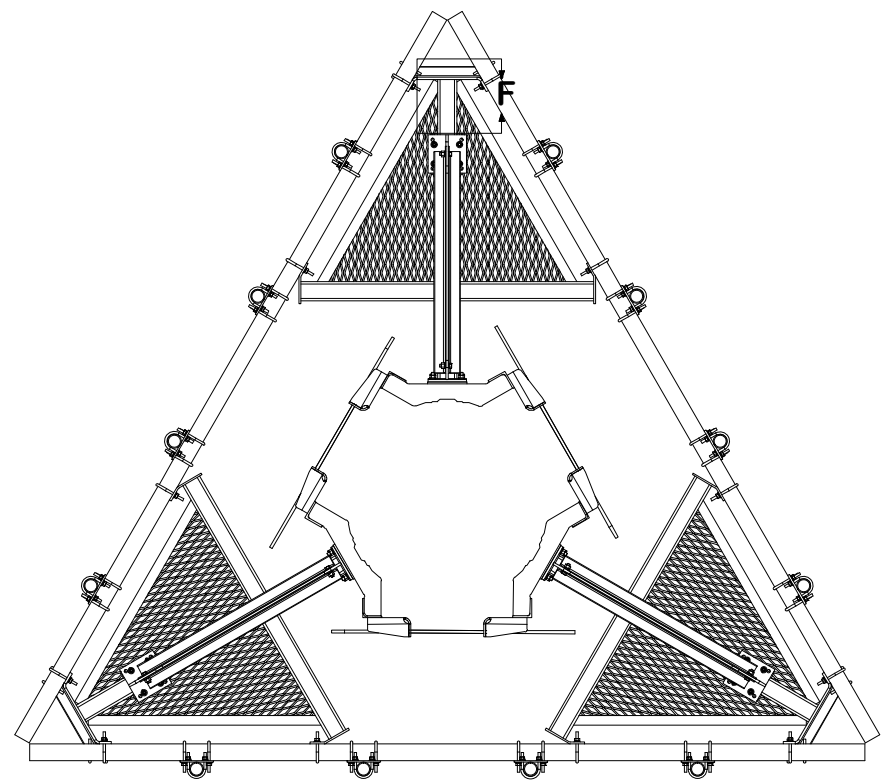
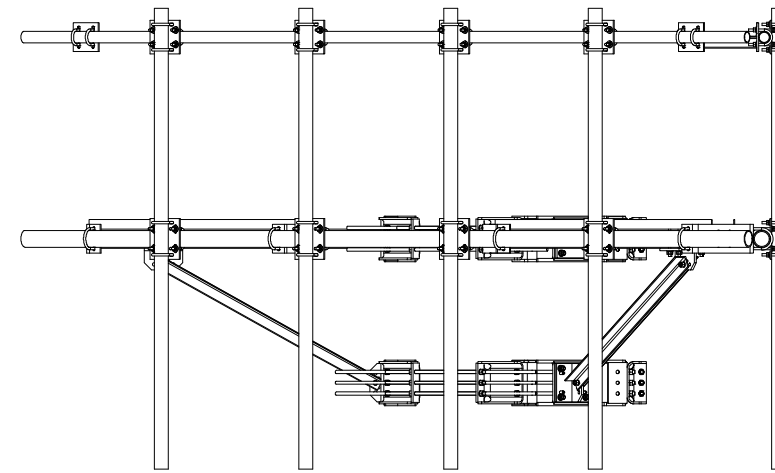
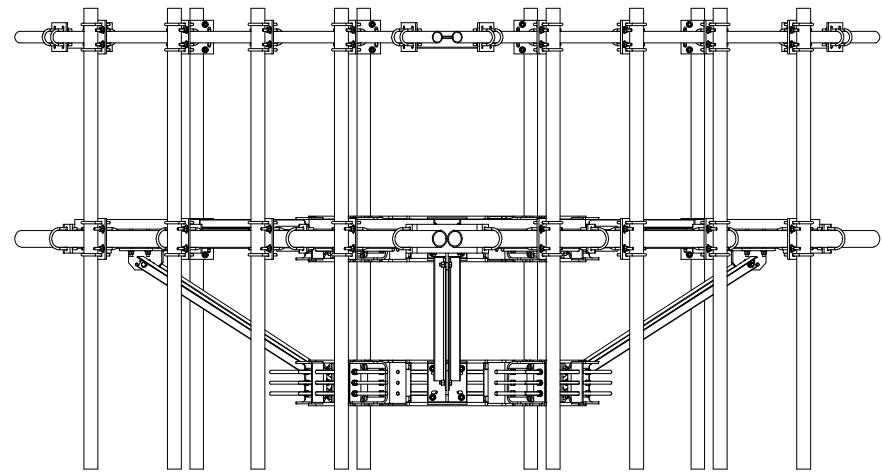
Engineering Support Team:
 1-888-753-7446

Locations:
 New York, NY
 Atlanta, GA
 Los Angeles, CA
 Plymouth, IN
 Salem, OR
 Dallas, TX

REV	DESCRIPTION OF REVISIONS	CPD	BY	DATE
B	RELOCATED MOUNT PIPE POSITIONS		CSL	5/21/21
A	CHNAGED X-253992 WITH X-TBW	4488	CEK	9/20/2018
REVISION HISTORY				

CPD NO. 4488	DRAWN BY CEK 5/21/2021	ENG. APPROVAL
CLASS 87	SUB 02	DRAWING USAGE CUSTOMER
CHECKED BY BMC 7/22/2015		

PART NO. RMVP-4096-HK	2 OF 3 PAGE
DWG. NO. RMVP-4096-HK	



TOLERANCE NOTES

TOLERANCES ON DIMENSIONS, UNLESS OTHERWISE NOTED ARE:
 SAWED, SHEARED AND GAS CUT EDGES ($\pm 0.030''$)
 DRILLED AND GAS CUT HOLES ($\pm 0.030''$) - NO CONING OF HOLES
 LASER CUT EDGES AND HOLES ($\pm 0.010''$) - NO CONING OF HOLES
 BENDS ARE $\pm 1/2$ DEGREE
 ALL OTHER MACHINING ($\pm 0.030''$)
 ALL OTHER ASSEMBLY ($\pm 0.060''$)

PROPRIETARY NOTE:
 THE DATA AND TECHNIQUES CONTAINED IN THIS DRAWING ARE PROPRIETARY INFORMATION OF VALMONT INDUSTRIES AND CONSIDERED A TRADE SECRET. ANY USE OR DISCLOSURE WITHOUT THE CONSENT OF VALMONT INDUSTRIES IS STRICTLY PROHIBITED.

DESCRIPTION
**14' 6" LOW PROFILE PLATFORM
 WITH TWELVE 2-7/8" ANTENNA MOUNTING
 PIPES, AND SUPPORT RAIL**

CPD NO. 4488	DRAWN BY CEK 5/21/2021	ENG. APPROVAL
CLASS 87	SUB 02	DRAWING USAGE CUSTOMER
CHECKED BY BMC 7/22/2015		



A valmont COMPANY

Locations:
 New York, NY
 Atlanta, GA
 Los Angeles, CA
 Plymouth, IN
 Salem, OR
 Dallas, TX

Engineering Support Team:
 1-888-753-7446

REV	DESCRIPTION OF REVISIONS	CPD	BY	DATE
B	RELOCATED MOUNT PIPE POSITIONS		CSL	5/21/21
A	CHNAGED X-253992 WITH X-TBW	4488	CEK	9/20/2018

PART NO.	RMVP-4096-HK
DWG. NO.	RMVP-4096-HK