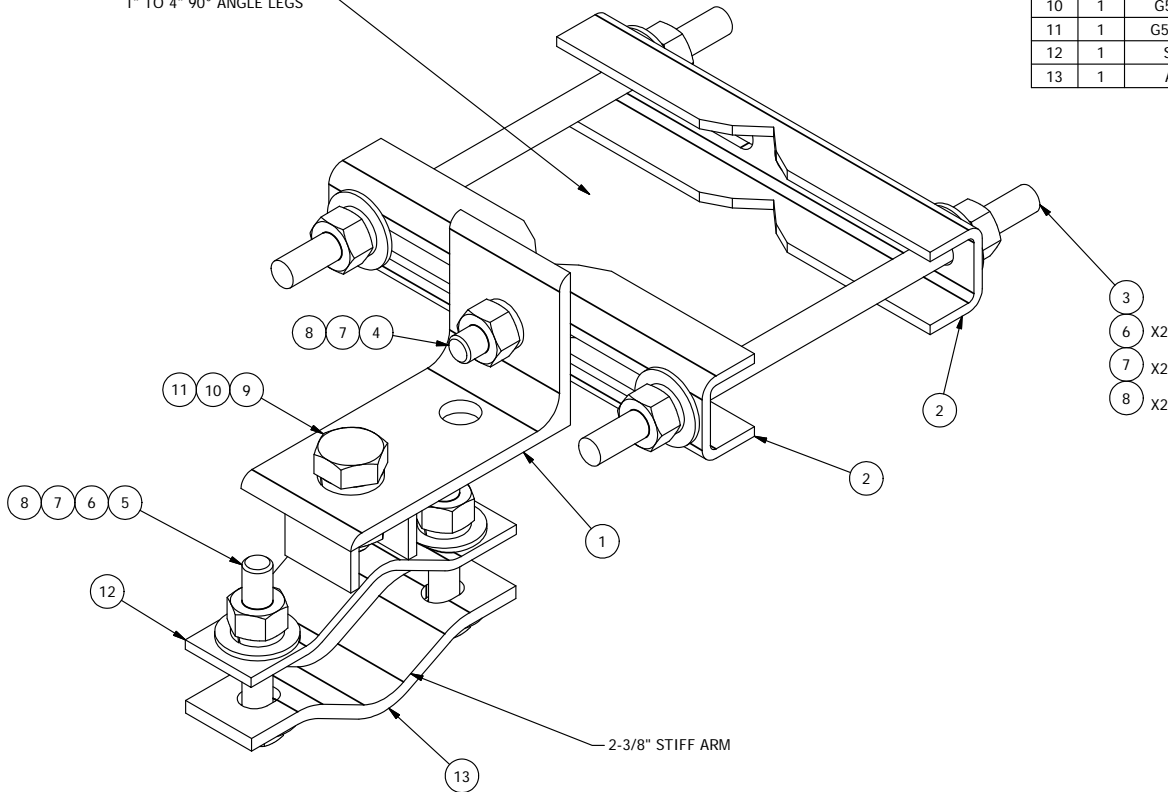


1" TO 6" ROUND MEMBER LEGS
 1" TO 6" 60° ANGLE LEGS
 1" TO 4" 90° ANGLE LEGS



PARTS LIST

ITEM	QTY	PART NO.	PART DESCRIPTION	LENGTH	UNIT WT.	NET WT.
1	1	X-STA3	STIFF ARM ANGLE BRACKET	2 1/2 in	1.39	1.39
2	2	X-STU	STIFF ARM CHANNEL BRACKET		1.37	2.74
3	2	G12R-10	1/2" x 10" THREADED ROD (HDG.)		0.56	1.12
4	1	G12112	1/2" x 1-1/2" HDG HEX BOLT GR5	1/2 in	0.15	0.15
5	2	G1203	1/2" x 3" HDG HEX BOLT GR5 FULL THREAD	3 in	0.22	0.43
6	8	G12FW	1/2" HDG USS FLATWASHER		0.03	0.27
7	7	G12LW	1/2" HDG LOCKWASHER		0.01	0.10
8	7	G12NUT	1/2" HDG HEAVY 2H HEX NUT		0.07	0.50
9	1	G58112	5/8" x 1-1/2" HDG BOLT	1 1/2 in	0.25	0.25
10	1	G58LW	5/8" HDG LOCKWASHER		0.03	0.03
11	1	G58NUT	5/8" HDG HEAVY 2H HEX NUT		0.13	0.13
12	1	SAM	STIFF ARM MOUNT CLAMP		0.77	0.77
13	1	ACP	CLAMP HALF 1/4" THICK, 5-3/4" LONG		0.65	0.65
TOTAL WT. #						8.53

TOLERANCE NOTES

TOLERANCES ON DIMENSIONS, UNLESS OTHERWISE NOTED ARE:
 SAWED, SHEARED AND GAS CUT EDGES ($\pm 0.030"$)
 DRILLED AND GAS CUT HOLES ($\pm 0.030"$) - NO CONING OF HOLES
 LASER CUT EDGES AND HOLES ($\pm 0.010"$) - NO CONING OF HOLES
 BENDS ARE $\pm 1/2$ DEGREE
 ALL OTHER MACHINING ($\pm 0.030"$)
 ALL OTHER ASSEMBLY ($\pm 0.060"$)

PROPRIETARY NOTE:
 THE DATA AND TECHNIQUES CONTAINED IN THIS DRAWING ARE PROPRIETARY INFORMATION OF VALMONT INDUSTRIES AND CONSIDERED A TRADE SECRET. ANY USE OR DISCLOSURE WITHOUT THE CONSENT OF VALMONT INDUSTRIES IS STRICTLY PROHIBITED.

DESCRIPTION

UNIVERSAL STIFF ARM ATTACHMENT

CPD NO.	DRAWN BY	ENG. APPROVAL
87	CEK 2/22/2012	
CLASS	DRAWING USAGE	CHECKED BY
87	02 CUSTOMER	BMC 2/22/2012



Engineering Support Team:
 1-888-753-7446

Locations:
 New York, NY
 Atlanta, GA
 Los Angeles, CA
 Plymouth, IN
 Salem, OR
 Dallas, TX

PART NO.	SAM-U	PAGE 1 OF 1
DWG. NO.	SAM-U	