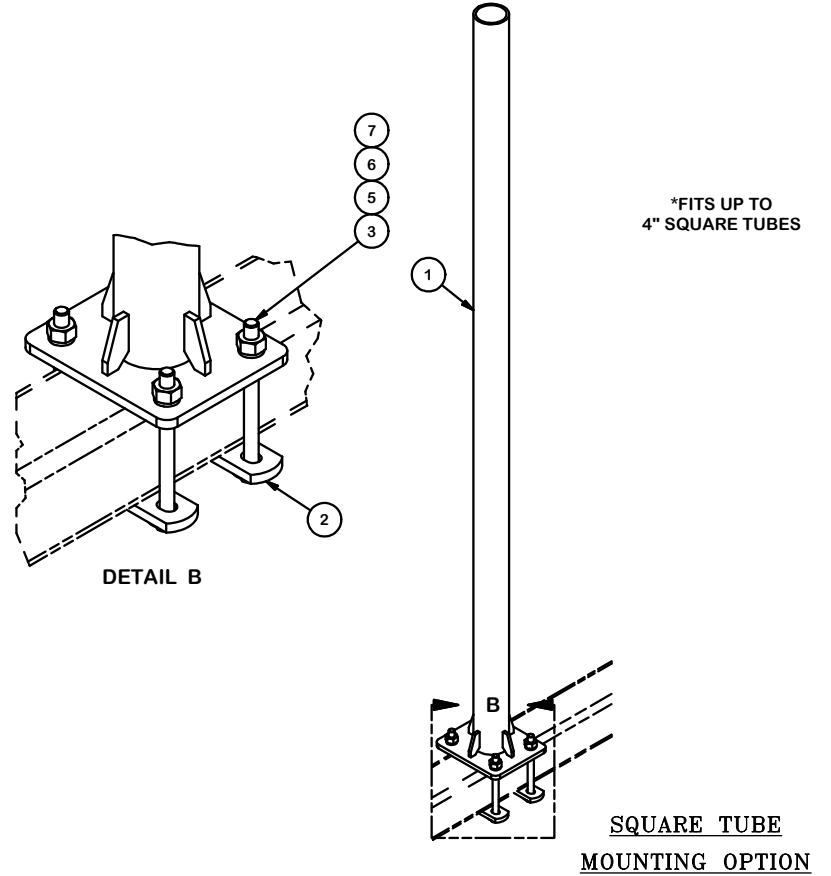


PARTS LIST						
ITEM	QTY	PART NO.	PART DESCRIPTION	LENGTH	UNIT WT.	NET WT.
1	1	X-SAMAST-6	6' STANDOFF ARM MAST WELDMENT		23.19	23.19
2	2	X-115765	5" V-CLAMP	7 1/16 in	1.03	2.05
3	4	G1206	1/2" x 6" HDG HEX BOLT GR5 FULL THREAD	2 in	0.38	1.53
4	4	G1203	1/2" x 3" HDG HEX BOLT GR5 FULL THREAD	3 in	0.22	0.87
5	4	G12FW	1/2" HDG USS FLATWASHER	3/32 in	0.03	0.14
6	4	G12LW	1/2" HDG LOCKWASHER	1/8 in	0.01	0.06
7	4	G12NUT	1/2" HDG HEAVY 2H HEX NUT		0.07	0.29
					TOTAL WT. #	28.11



**TOLERANCE NOTES**

TOLERANCES ON DIMENSIONS, UNLESS OTHERWISE NOTED ARE:  
 SAWED, SHEARED AND GAS CUT EDGES ( $\pm 0.030"$ )  
 DRILLED AND GAS CUT HOLES ( $\pm 0.030"$ ) - NO CONING OF HOLES  
 LASER CUT EDGES AND HOLES ( $\pm 0.010"$ ) - NO CONING OF HOLES  
 BENDS AND ANGLES ARE  $\pm 1/2$  DEGREE  
 ALL OTHER MACHINING ( $\pm 0.030"$ )  
 ALL OTHER ASSEMBLY ( $\pm 0.060"$ )

PROPRIETARY NOTE:  
 THE DATA AND TECHNIQUES CONTAINED IN THIS DRAWING ARE PROPRIETARY INFORMATION OF VALMONT INDUSTRIES AND CONSIDERED A TRADE SECRET. ANY USE OR DISCLOSURE WITHOUT THE CONSENT OF VALMONT INDUSTRIES IS STRICTLY PROHIBITED.

DESCRIPTION		
6' STANDOFF ARM MAST		

CPD NO.	DRAWN BY	ENG. APPROVAL
CLASS	DRAWING USAGE	CHECKED BY
81	02	CUSTOMER
		BMC 6/19/2019

**SITE PRO 1**  
 A valmont COMPANY

Locations:  
 New York, NY  
 Atlanta, GA  
 Los Angeles, CA  
 Plymouth, IN  
 Salem, OR  
 Dallas, TX  
 Tampa, FL

Engineering Support Team:  
 1-888-753-7446

PART NO.	SAMAST-6	PAGE
DWG. NO.	SAMAST-6	1 OF 1