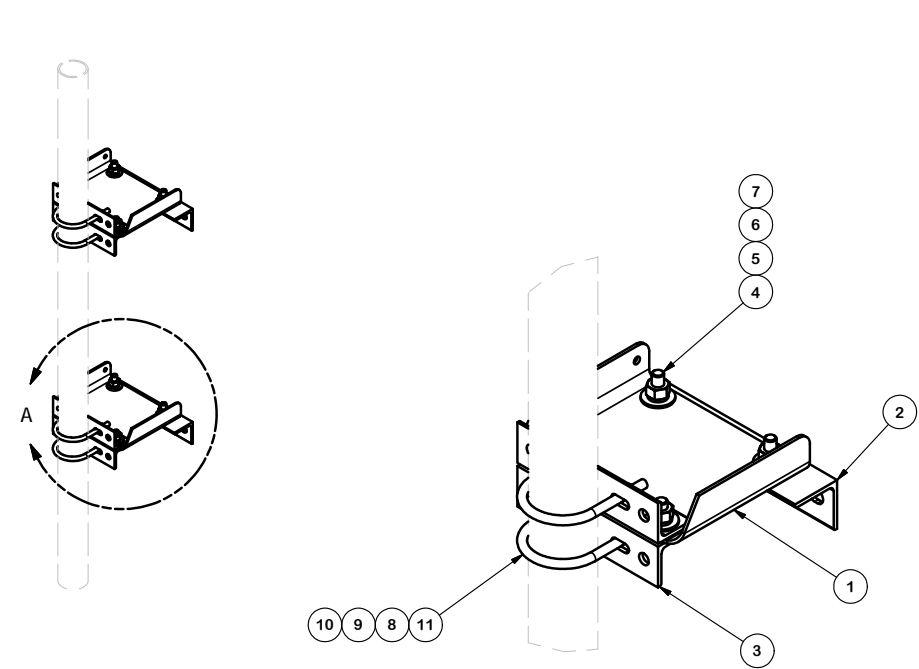


PARTS LIST						
ITEM	QTY	PART NO.	PART DESCRIPTION	LENGTH	UNIT WT.	NET WT.
1	2	X-SLD-BP	SLIDER BRACKET BENT PLATE		8.13	16.26
2	2	X-SLD3	SLIDER BRACKET WALL ANGLE	14 1/2 in	6.10	12.20
3	4	X-SLD-A	SLIDER BRACKET ANGLE	10 in	3.28	13.12
4	8	G5802	5/8" x 2" HDG HEX BOLT GR5		0.27	2.17
5	8	G58FW	5/8" HDG USS FLATWASHER		0.07	0.56
6	8	G58LW	5/8" HDG LOCKWASHER		0.03	0.21
7	8	G58NUT	5/8" HDG HEAVY 2H HEX NUT		0.13	1.04
8	8	G12FW	1/2" HDG USS FLATWASHER		0.03	0.27
9	8	G12LW	1/2" HDG LOCKWASHER		0.01	0.11
10	8	G12NUT	1/2" HDG HEAVY 2H HEX NUT		0.07	0.57
11	4	X-UB1358	1/2" X 3-5/8" X 5-1/2" X 3" GALV U-BOLT		0.77	3.09
					TOTAL WT. #	52.10



DETAIL A

TOLERANCE NOTES
 TOLERANCES ON DIMENSIONS, UNLESS OTHERWISE NOTED ARE:
 SAWED, SHEARED AND GAS CUT EDGES ($\pm 0.030"$)
 DRILLED AND GAS CUT HOLES ($\pm 0.030"$) - NO CONING OF HOLES
 LASER CUT EDGES AND HOLES ($\pm 0.010"$) - NO CONING OF HOLES
 BENDS ARE $\pm 1/2$ DEGREE
 ALL OTHER MACHINING ($\pm 0.030"$)
 ALL OTHER ASSEMBLY ($\pm 0.060"$)

PROPRIETARY NOTE:
 THE DATA AND TECHNIQUES CONTAINED IN THIS DRAWING ARE PROPRIETARY INFORMATION OF VALMONT INDUSTRIES AND CONSIDERED A TRADE SECRET. ANY USE OR DISCLOSURE WITHOUT THE CONSENT OF VALMONT INDUSTRIES IS STRICTLY PROHIBITED.

DESCRIPTION		SLIDER BRACKET WALL MOUNT 3-1/2" O.D. ANTENNA PIPE	
CPD NO.	DRAWN BY	ENG. APPROVAL	
	BMC 3/10/2011		
CLASS	SUB	DRAWING USAGE	CHECKED BY
81	01	CUSTOMER	RCH 3/14/2011

 Engineering Support Team: 1-888-753-7446	Locations: New York, NY Atlanta, GA Los Angeles, CA Plymouth, IN Salem, OR Dallas, TX
	A valmont COMPANY
PART NO.	SBWM-312
DWG. NO.	SBWM-312