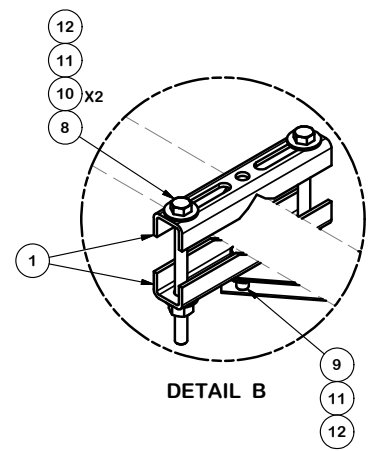
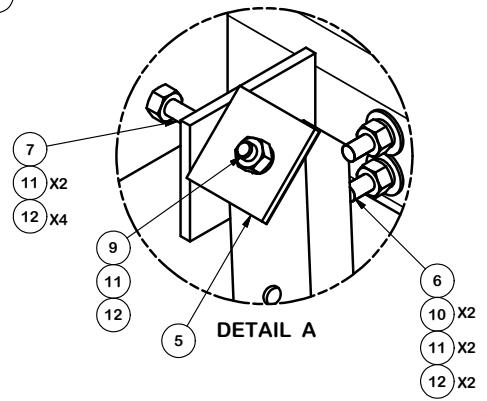


SECTOR FRAME REINFORCING KIT ATTACHES TO EITHER EXISTING SECTOR FRAME CROSS ARMS OR TO AN OPTIONAL HORIZONTAL ROUND MEMBER (SHOWN, SOLD SEPARATELY). IF PURCHASING OPTIONAL HORIZONTAL ROUND MEMBER, CORRESPONDING CROSSOVER PLATE KITS WILL NEED TO BE PURCHASED, ONE PER EXISTING ANTENNA MOUNTING PIPE.

| PARTS LIST |     |          |  |           |             |         |
|------------|-----|----------|--|-----------|-------------|---------|
| ITEM       | QTY | PART NO. | PART DESCRIPTION                           | LENGTH    | UNIT WT.    | NET WT. |
| 1          | 8   | X-STU    | STIFF ARM CHANNEL BRACKET                  | 8 1/2 in  | 1.37        | 10.98   |
| 2          | 4   | X-232697 | TRPD-HD DIAGONAL ANGLE - SITE PRO 1        | 52 1/2 in | 14.35       | 57.39   |
| 3          | 2   | CFS      | LOWER GATE FOOT WELDMENT                   |           | 12.72       | 25.45   |
| 4          | 2   | GBB      | GATE BACKING BAR                           | 11 1/2 in | 4.53        | 9.06    |
| 5          | 4   | SHCM-T   | CHAIN MOUNT TIGHTENER BRACKET              | 3 in      | 1.86        | 7.43    |
| 6          | 8   | G12R-15  | 1/2" x 15" THREADED ROD (HDG.)             |           | 0.84        | 6.69    |
| 6          | 8   | G12R-12  | 1/2" x 12" THREADED ROD (HDG.)             |           | 0.67        | 5.35    |
| 7          | 2   | G12R-6   | 1/2" x 6" GALV. THREADED ROD               |           | 0.33        | 0.67    |
| 8          | 8   | G12065   | 1/2" x 6-1/2" HDG HEX BOLT GR5 FULL THREAD | 5 1/2 in  | 0.41        | 3.28    |
| 9          | 8   | G12112   | 1/2" x 1-1/2" HDG HEX BOLT GR5             | 1/2 in    | 0.15        | 1.18    |
| 10         | 32  | G12FW    | 1/2" HDG USS FLATWASHER                    | 3/32 in   | 0.03        | 1.09    |
| 11         | 36  | G12LW    | 1/2" HDG LOCKWASHER                        | 1/8 in    | 0.01        | 0.50    |
| 12         | 40  | G12NUT   | 1/2" HDG HEAVY 2H HEX NUT                  |           | 0.07        | 2.87    |
|            |     |          |  |           | TOTAL WT. # | 131.93  |



**TOLERANCE NOTES**

TOLERANCES ON DIMENSIONS, UNLESS OTHERWISE NOTED ARE:  
 SAWED, SHEARED AND GAS CUT EDGES ( $\pm 0.030"$ )  
 DRILLED AND GAS CUT HOLES ( $\pm 0.030"$ ) - NO CONING OF HOLES  
 LASER CUT EDGES AND HOLES ( $\pm 0.010"$ ) - NO CONING OF HOLES  
 BENDS ARE  $\pm 1/2$  DEGREE  
 ALL OTHER MACHINING ( $\pm 0.030"$ )  
 ALL OTHER ASSEMBLY ( $\pm 0.060"$ )

PROPRIETARY NOTE:  
 THE DATA AND TECHNIQUES CONTAINED IN THIS DRAWING ARE PROPRIETARY INFORMATION OF VALMONT INDUSTRIES AND CONSIDERED A TRADE SECRET. ANY USE OR DISCLOSURE WITHOUT THE CONSENT OF VALMONT INDUSTRIES IS STRICTLY PROHIBITED.

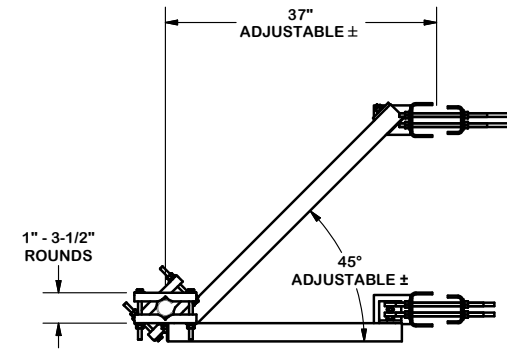
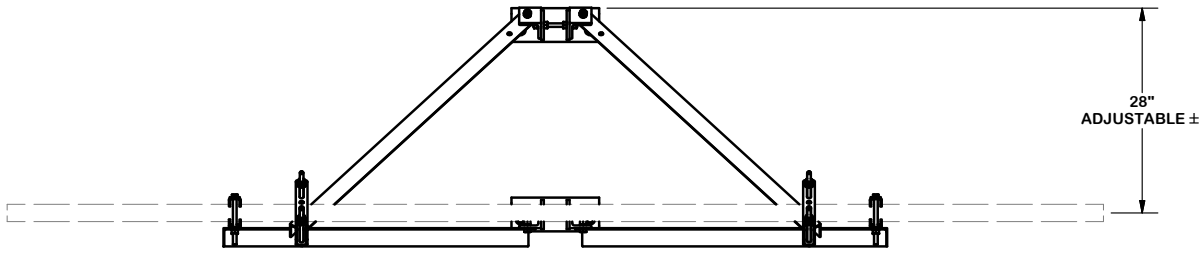
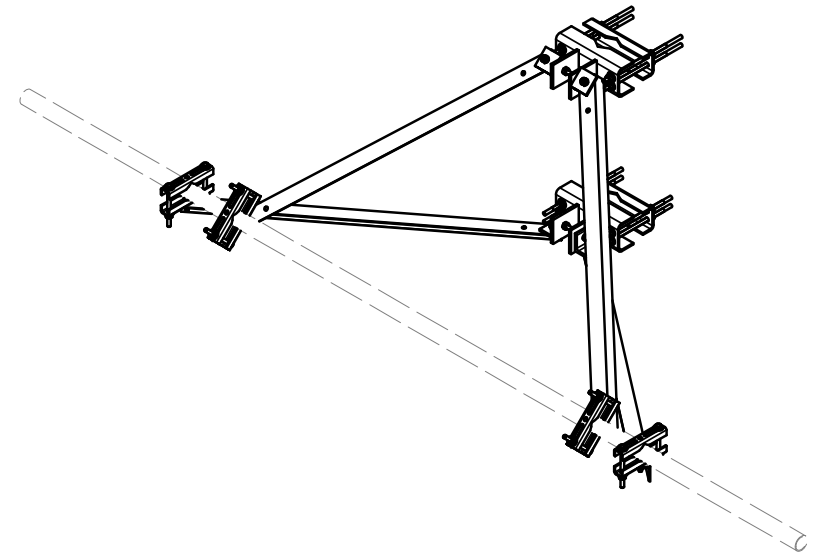
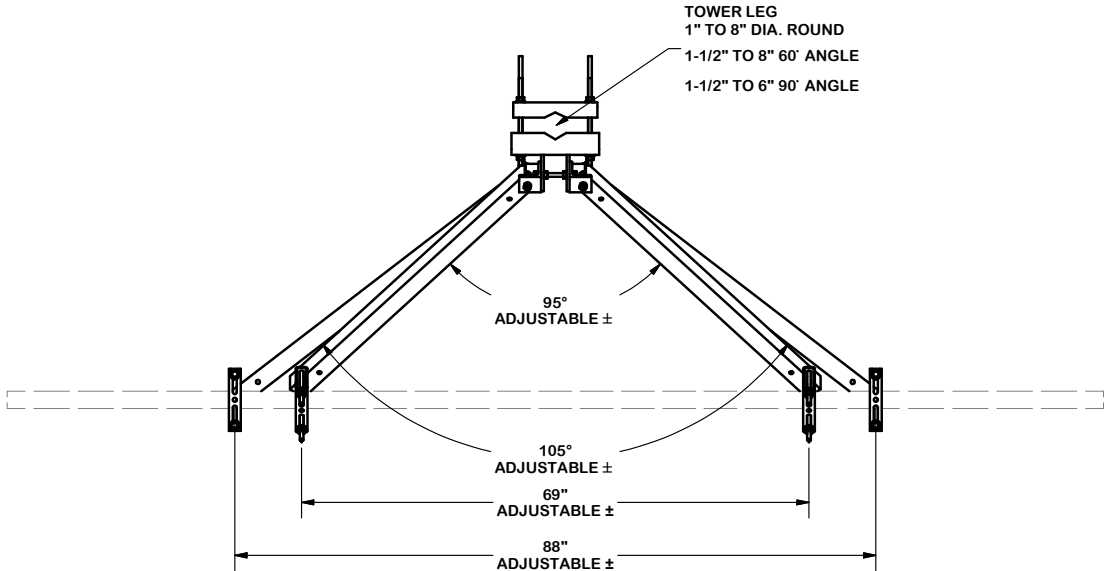
DESCRIPTION  
**SECTOR FRAME REINFORCEMENT KIT**

|                 |                           |                             |
|-----------------|---------------------------|-----------------------------|
| CPD NO.<br>5563 | DRAWN BY<br>CEK 4/25/2014 | ENG. APPROVAL               |
| CLASS<br>81     | SUB<br>01                 | DRAWING USAGE<br>CUSTOMER   |
|                 |                           | CHECKED BY<br>BMC 4/30/2014 |

**SITE PRO 1**  
 Engineering Support Team:  
 1-888-753-7446  
 Locations:  
 New York, NY  
 Atlanta, GA  
 Los Angeles, CA  
 Plymouth, IN  
 Salem, OR  
 Dallas, TX

|                          |        |
|--------------------------|--------|
| PART NO.<br><b>SFR-K</b> | 1 OF 3 |
| DWG. NO.<br><b>SFR-K</b> |        |

| REV              | DESCRIPTION OF REVISIONS                  | CPD  | BY | DATE       |
|------------------|---|------|----|------------|
| A                | CHANGED MAX. DIA. FOR HANDRAIL CONNECTION | 5563 | BC | 10/25/2017 |
| REVISION HISTORY |   |      |    |            |



**TOLERANCE NOTES**

TOLERANCES ON DIMENSIONS, UNLESS OTHERWISE NOTED ARE:  
SAWED, SHEARED AND GAS CUT EDGES ( $\pm 0.030"$ )  
DRILLED AND GAS CUT HOLES ( $\pm 0.030"$ ) - NO CONING OF HOLES  
LASER CUT EDGES AND HOLES ( $\pm 0.010"$ ) - NO CONING OF HOLES  
BENDS ARE  $\pm 1/2$  DEGREE  
ALL OTHER MACHINING ( $\pm 0.030"$ )  
ALL OTHER ASSEMBLY ( $\pm 0.060"$ )

PROPRIETARY NOTE:  
THE DATA AND TECHNIQUES CONTAINED IN THIS DRAWING ARE PROPRIETARY INFORMATION OF VALMONT INDUSTRIES AND CONSIDERED A TRADE SECRET. ANY USE OR DISCLOSURE WITHOUT THE CONSENT OF VALMONT INDUSTRIES IS STRICTLY PROHIBITED.

DESCRIPTION  
**SECTOR FRAME  
REINFORCEMENT KIT**

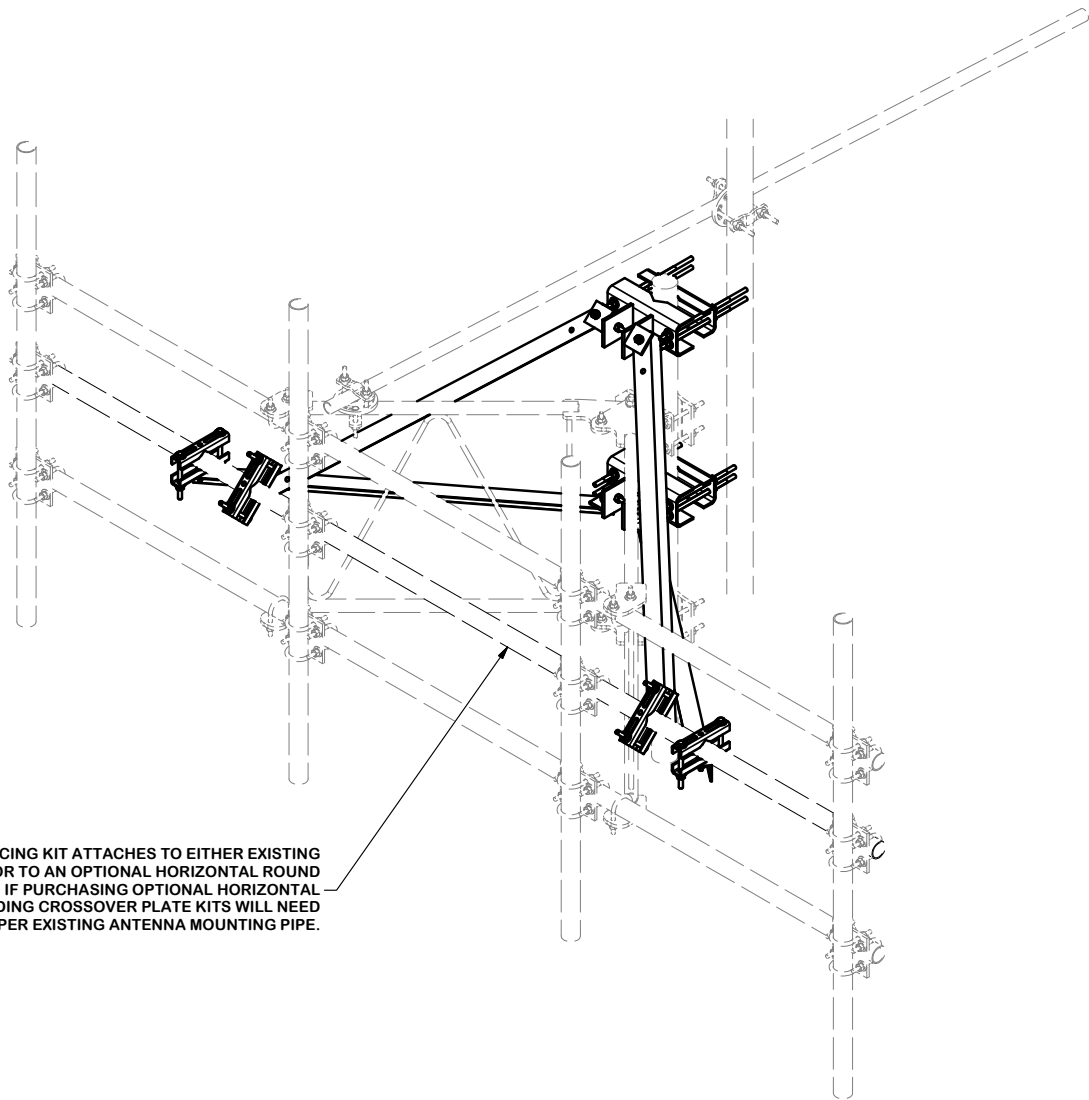
**SITE PRO 1**  
Engineering Support Team:  
1-888-753-7446

Locations:  
New York, NY  
Atlanta, GA  
Los Angeles, CA  
Plymouth, IN  
Salem, OR  
Dallas, TX

| REV | DESCRIPTION OF REVISIONS                  | CPD  | BY | DATE       |
|-----|---|------|----|------------|
| A   | CHANGED MAX. DIA. FOR HANDRAIL CONNECTION | 5563 | BC | 10/25/2017 |

|                             |                           |                           |
|-----------------------------|---------------------------|---------------------------|
| CPD NO.<br>5563             | DRAWN BY<br>CEK 4/25/2014 | ENG. APPROVAL             |
| CLASS<br>81                 | SUB<br>01                 | DRAWING USAGE<br>CUSTOMER |
| CHECKED BY<br>BMC 4/30/2014 |                           |                           |

|                          |                |
|--------------------------|----------------|
| PART NO.<br><b>SFR-K</b> | PAGE<br>2 OF 3 |
| DWG. NO.<br><b>SFR-K</b> |                |



SECTOR FRAME REINFORCING KIT ATTACHES TO EITHER EXISTING SECTOR FRAME CROSS ARMS OR TO AN OPTIONAL HORIZONTAL ROUND MEMBER (SHOWN, SOLD SEPARATELY). IF PURCHASING OPTIONAL HORIZONTAL ROUND MEMBER, CORRESPONDING CROSSOVER PLATE KITS WILL NEED TO BE PURCHASED, ONE PER EXISTING ANTENNA MOUNTING PIPE.

**TOLERANCE NOTES**

**TOLERANCES ON DIMENSIONS, UNLESS OTHERWISE NOTED ARE:  
 SAWED, SHEARED AND GAS CUT EDGES ( $\pm 0.030"$ )  
 DRILLED AND GAS CUT HOLES ( $\pm 0.030"$ ) - NO CONING OF HOLES  
 LASER CUT EDGES AND HOLES ( $\pm 0.010"$ ) - NO CONING OF HOLES  
 BENDS ARE  $\pm 1/2$  DEGREE  
 ALL OTHER MACHINING ( $\pm 0.030"$ )  
 ALL OTHER ASSEMBLY ( $\pm 0.060"$ )**

PROPRIETARY NOTE:  
 THE DATA AND TECHNIQUES CONTAINED IN THIS DRAWING ARE PROPRIETARY INFORMATION OF VALMONT INDUSTRIES AND CONSIDERED A TRADE SECRET. ANY USE OR DISCLOSURE WITHOUT THE CONSENT OF VALMONT INDUSTRIES IS STRICTLY PROHIBITED.

DESCRIPTION  
**SECTOR FRAME REINFORCEMENT KIT**

**SITE PRO 1**  
 A valmont COMPANY

Engineering  
 Support Team:  
 1-888-753-7446

Locations:  
 New York, NY  
 Atlanta, GA  
 Los Angeles, CA  
 Plymouth, IN  
 Salem, OR  
 Dallas, TX

| REV              | DESCRIPTION OF REVISIONS                  | CPD  | BY | DATE       |
|------------------|---|------|----|------------|
| A                | CHANGED MAX. DIA. FOR HANDRAIL CONNECTION | 5563 | BC | 10/25/2017 |
| REVISION HISTORY |   |      |    |            |

|                                    |                                  |                                  |
|------------------------------------|----------------------------------|----------------------------------|
| CPD NO.<br><b>5563</b>             | DRAWN BY<br><b>CEK 4/25/2014</b> | ENG. APPROVAL                    |
| CLASS<br><b>81</b>                 | SUB<br><b>01</b>                 | DRAWING USAGE<br><b>CUSTOMER</b> |
| CHECKED BY<br><b>BMC 4/30/2014</b> |                                  |                                  |

|                          |              |
|--------------------------|--------------|
| PART NO.<br><b>SFR-K</b> | <b>SFR-K</b> |
| DWG. NO.<br><b>SFR-K</b> |              |