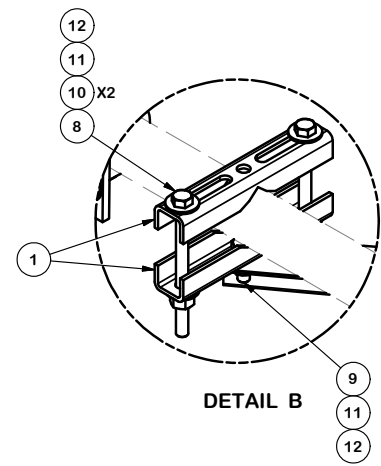
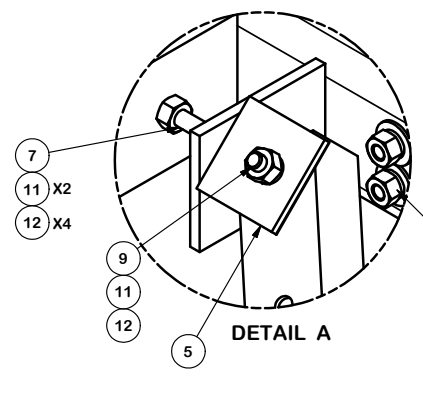


SECTOR FRAME REINFORCING KIT ATTACHES TO EITHER EXISTING SECTOR FRAME CROSS ARMS OR TO AN OPTIONAL HORIZONTAL ROUND MEMBER (SHOWN, SOLD SEPARATELY). IF PURCHASING OPTIONAL HORIZONTAL ROUND MEMBER, CORRESPONDING CROSSOVER PLATE KITS WILL NEED TO BE PURCHASED, ONE PER EXISTING ANTENNA MOUNTING PIPE.

PARTS LIST						
ITEM	QTY	PART NO.	PART DESCRIPTION	LENGTH	UNIT WT.	NET WT.
1	8	X-STU	STIFF ARM CHANNEL BRACKET	8 1/2 in	1.37	10.98
2	4	X-254924	DIAGONAL ANGLE - SITE PRO 1	72 in	19.71	78.83
3	2	CFS	LOWER GATE FOOT WELDMENT		12.72	25.45
4	2	GBB	GATE BACKING BAR	11 1/2 in	4.53	9.06
5	4	SHCM-T	CHAIN MOUNT TIGHTENER BRACKET	3 in	1.86	7.43
6	8	G12R-15	1/2" x 15" THREADED ROD (HDG.)		0.84	6.69
6	8	G12R-12	1/2" x 12" THREADED ROD (HDG.)		0.67	5.35
7	2	G12R-6	1/2" x 6" GALV. THREADED ROD		0.33	0.67
8	8	G12065	1/2" x 6-1/2" HDG HEX BOLT GR5 FULL THREAD	5 1/2 in	0.41	3.28
9	8	G12112	1/2" x 1-1/2" HDG HEX BOLT GR5	1/2 in	0.15	1.18
10	32	G12FW	1/2" HDG USS FLATWASHER	3/32 in	0.03	1.09
11	36	G12LW	1/2" HDG LOCKWASHER	1/8 in	0.01	0.50
12	40	G12NUT	1/2" HDG HEAVY 2H HEX NUT		0.07	2.87
					TOTAL WT. #	153.37



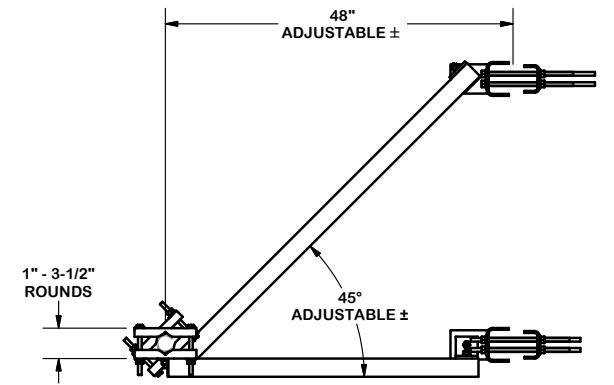
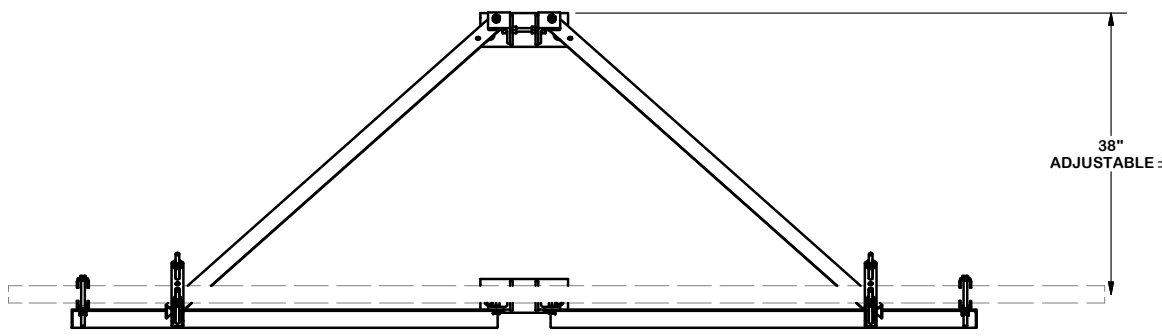
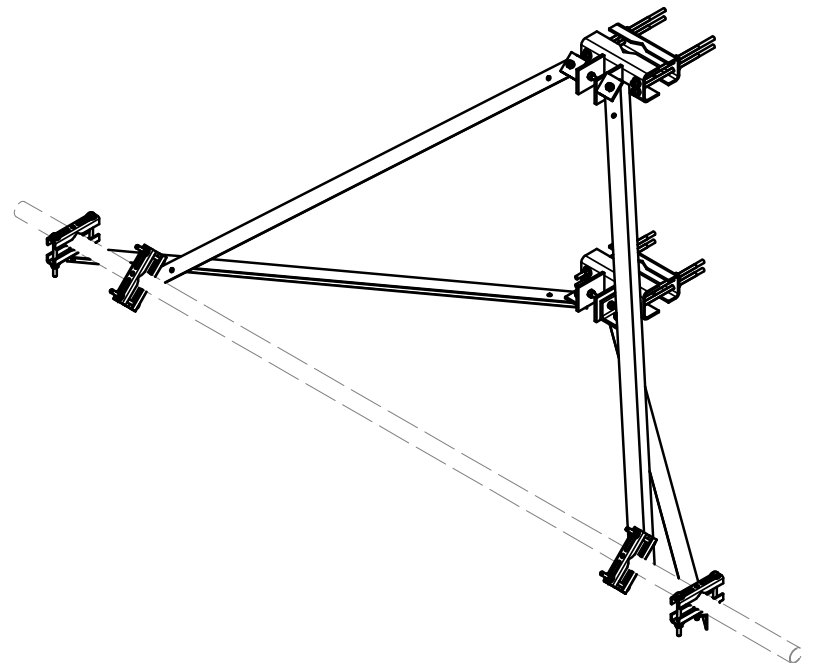
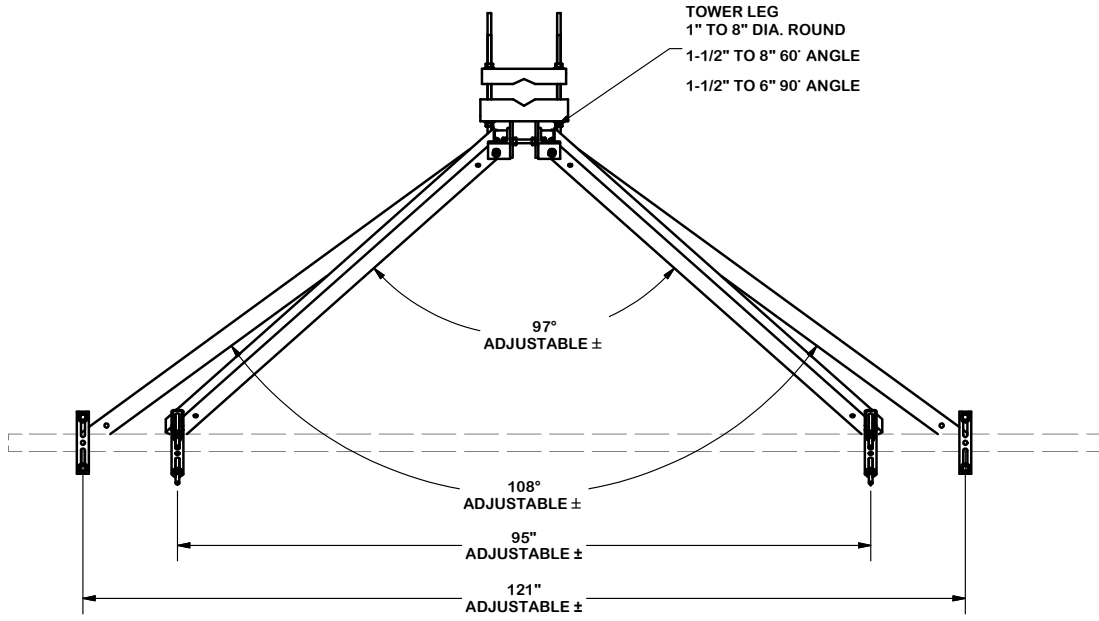
**TOLERANCE NOTES**  
 TOLERANCES ON DIMENSIONS, UNLESS OTHERWISE NOTED ARE:  
 SAWED, SHEARED AND GAS CUT EDGES ( $\pm 0.030"$ )  
 DRILLED AND GAS CUT HOLES ( $\pm 0.030"$ ) - NO CONING OF HOLES  
 LASER CUT EDGES AND HOLES ( $\pm 0.010"$ ) - NO CONING OF HOLES  
 BENDS ARE  $\pm 1/2$  DEGREE  
 ALL OTHER MACHINING ( $\pm 0.030"$ )  
 ALL OTHER ASSEMBLY ( $\pm 0.060"$ )

PROPRIETARY NOTE:  
 THE DATA AND TECHNIQUES CONTAINED IN THIS DRAWING ARE PROPRIETARY INFORMATION OF VALMONT INDUSTRIES AND CONSIDERED A TRADE SECRET. ANY USE OR DISCLOSURE WITHOUT THE CONSENT OF VALMONT INDUSTRIES IS STRICTLY PROHIBITED.

DESCRIPTION		SECTOR FRAME REINFORCEMENT KIT	
CPD NO.	DRAWN BY	ENG. APPROVAL	
5563	CEK 4/25/2014		
CLASS	SUB	DRAWING USAGE	CHECKED BY
81	01	CUSTOMER	BMC 7/23/2014

 A valmont COMPANY	Locations: New York, NY Atlanta, GA Los Angeles, CA Plymouth, IN Salem, OR Dallas, TX
	Engineering Support Team: 1-888-753-7446
PART NO. <b>SFR-K-L</b>	DWG. NO. <b>SFR-K-L</b>

REV	DESCRIPTION OF REVISIONS	CPD	BY	DATE
A	CHANGED MAX. DIA. FOR HANDRAIL CONNECTION	5563	BC	10/25/2017
REVISION HISTORY				



**TOLERANCE NOTES**

TOLERANCES ON DIMENSIONS, UNLESS OTHERWISE NOTED ARE:  
SAWED, SHEARED AND GAS CUT EDGES ( $\pm 0.030"$ )  
DRILLED AND GAS CUT HOLES ( $\pm 0.030"$ ) - NO CONING OF HOLES  
LASER CUT EDGES AND HOLES ( $\pm 0.010"$ ) - NO CONING OF HOLES  
BENDS ARE  $\pm 1/2$  DEGREE  
ALL OTHER MACHINING ( $\pm 0.030"$ )  
ALL OTHER ASSEMBLY ( $\pm 0.060"$ )

PROPRIETARY NOTE:  
THE DATA AND TECHNIQUES CONTAINED IN THIS DRAWING ARE PROPRIETARY INFORMATION OF VALMONT INDUSTRIES AND CONSIDERED A TRADE SECRET. ANY USE OR DISCLOSURE WITHOUT THE CONSENT OF VALMONT INDUSTRIES IS STRICTLY PROHIBITED.

DESCRIPTION  
**SECTOR FRAME  
REINFORCEMENT KIT**

**SITE PRO 1**  
A valmont COMPANY

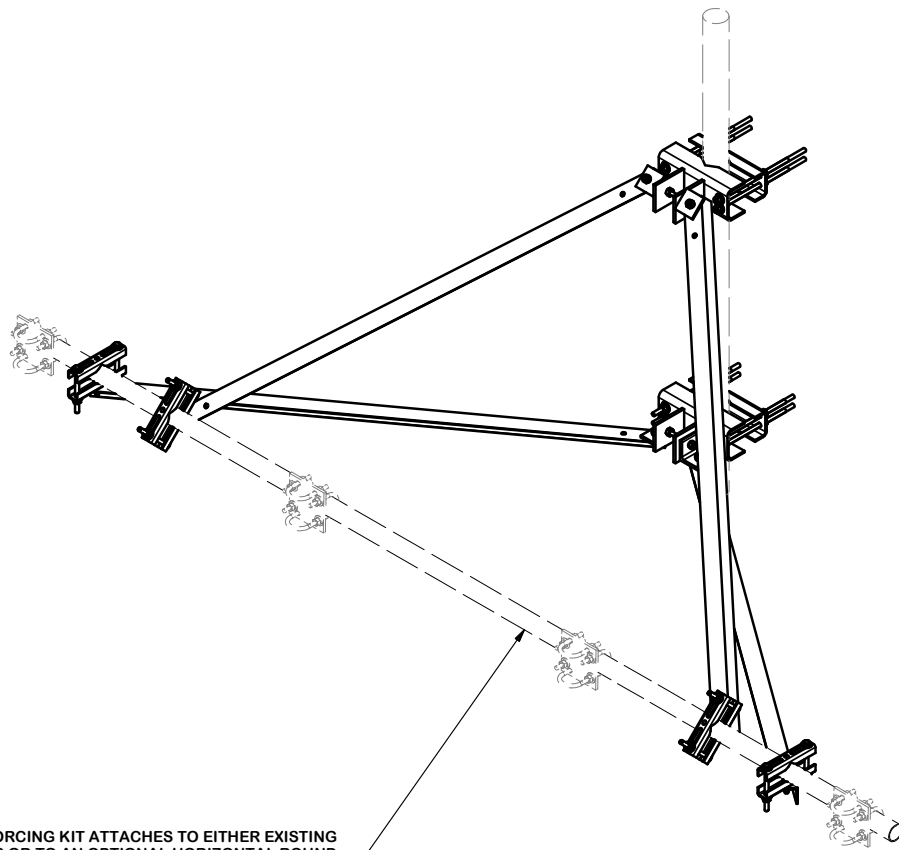
Locations:  
New York, NY  
Atlanta, GA  
Los Angeles, CA  
Plymouth, IN  
Salem, OR  
Dallas, TX

Engineering Support Team:  
1-888-753-7446

REV	DESCRIPTION OF REVISIONS	CPD	BC	BY	DATE
A	CHANGED MAX. DIA. FOR HANDRAIL CONNECTION	5563	BC		10/25/2017
REVISION HISTORY					

CPD NO. <b>5563</b>	DRAWN BY <b>CEK 4/25/2014</b>	ENG. APPROVAL
CLASS <b>81</b>	SUB <b>01</b>	DRAWING USAGE <b>CUSTOMER</b>
CHECKED BY <b>BMC 7/23/2014</b>		

PART NO. <b>SFR-K-L</b>	<b>2 OF 3</b>
DWG. NO. <b>SFR-K-L</b>	



SECTOR FRAME REINFORCING KIT ATTACHES TO EITHER EXISTING SECTOR FRAME CROSS ARMS OR TO AN OPTIONAL HORIZONTAL ROUND MEMBER (SHOWN, SOLD SEPARATELY). IF PURCHASING OPTIONAL HORIZONTAL ROUND MEMBER, CORRESPONDING CROSSOVER PLATE KITS WILL NEED TO BE PURCHASED, ONE PER EXISTING ANTENNA MOUNTING PIPE.

**TOLERANCE NOTES**

**TOLERANCES ON DIMENSIONS, UNLESS OTHERWISE NOTED ARE:  
 SAWED, SHEARED AND GAS CUT EDGES ( $\pm 0.030"$ )  
 DRILLED AND GAS CUT HOLES ( $\pm 0.030"$ ) - NO CONING OF HOLES  
 LASER CUT EDGES AND HOLES ( $\pm 0.010"$ ) - NO CONING OF HOLES  
 BENDS ARE  $\pm 1/2$  DEGREE  
 ALL OTHER MACHINING ( $\pm 0.030"$ )  
 ALL OTHER ASSEMBLY ( $\pm 0.060"$ )**

**PROPRIETARY NOTE:  
 THE DATA AND TECHNIQUES CONTAINED IN THIS DRAWING ARE PROPRIETARY INFORMATION OF VALMONT INDUSTRIES AND CONSIDERED A TRADE SECRET. ANY USE OR DISCLOSURE WITHOUT THE CONSENT OF VALMONT INDUSTRIES IS STRICTLY PROHIBITED.**

DESCRIPTION  
**SECTOR FRAME REINFORCEMENT KIT**

**SITE PRO 1**  
 A valmont COMPANY

Locations:  
 New York, NY  
 Atlanta, GA  
 Los Angeles, CA  
 Plymouth, IN  
 Salem, OR  
 Dallas, TX

Engineering  
 Support Team:  
 1-888-753-7446

REV	DESCRIPTION OF REVISIONS	CPD	BY	DATE
A	CHANGED MAX. DIA. FOR HANDRAIL CONNECTION	5563	BC	10/25/2017
REVISION HISTORY				

CPD NO. <b>5563</b>	DRAWN BY <b>CEK 4/25/2014</b>	ENG. APPROVAL
CLASS <b>81</b>	SUB <b>01</b>	DRAWING USAGE <b>CUSTOMER</b>
CHECKED BY <b>BMC 7/23/2014</b>		

PART NO. <b>SFR-K-L</b>	<b>3 OF 3</b> PAGE
DWG. NO. <b>SFR-K-L</b>	