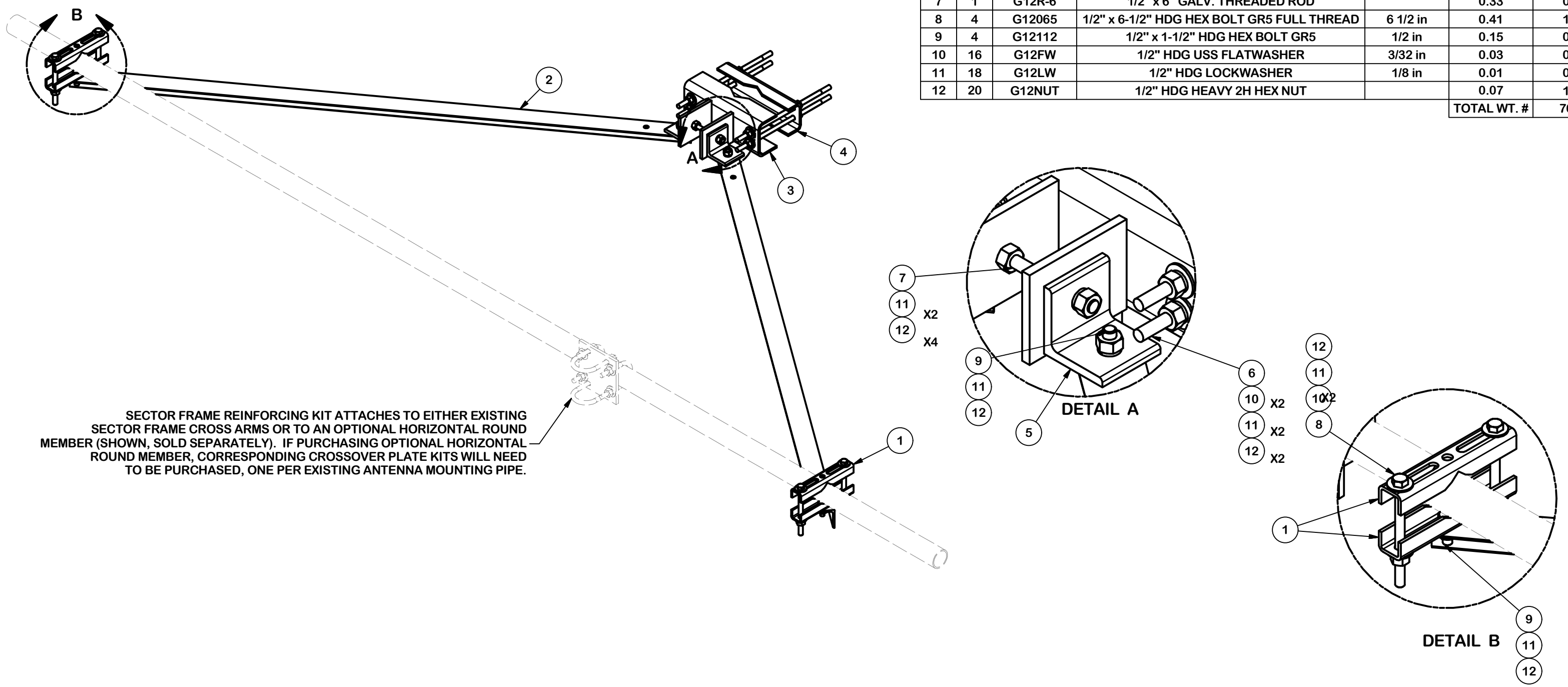


PARTS LIST						
ITEM	QTY	PART NO.	PART DESCRIPTION	LENGTH	UNIT WT.	NET WT.
1	4	X-STU	STIFF ARM CHANNEL BRACKET	8 1/2 in	1.37	5.49
2	2	X-254924	DIAGONAL ANGLE - SITE PRO 1	72 in	19.71	39.41
3	1	CFS	LOWER GATE FOOT WELDMENT		12.72	12.72
4	1	GBB	GATE BACKING BAR	11 1/2 in	4.53	4.53
5	2	SHCM-T	CHAIN MOUNT TIGHTENER BRACKET	3 in	1.86	3.72
6	4	G12R-15	1/2" x 15" THREADED ROD (HDG.)		0.40	1.60
6	4	G12R-12	1/2" x 12" THREADED ROD (HDG.)		0.40	1.60
7	1	G12R-6	1/2" x 6" GALV. THREADED ROD		0.33	0.33
8	4	G12065	1/2" x 6-1/2" HDG HEX BOLT GR5 FULL THREAD	6 1/2 in	0.41	1.64
9	4	G12112	1/2" x 1-1/2" HDG HEX BOLT GR5	1/2 in	0.15	0.59
10	16	G12FW	1/2" HDG USS FLATWASHER	3/32 in	0.03	0.55
11	18	G12LW	1/2" HDG LOCKWASHER	1/8 in	0.01	0.25
12	20	G12NUT	1/2" HDG HEAVY 2H HEX NUT		0.07	1.43
TOTAL WT. #						76.65



**TOLERANCE NOTES**

TOLERANCES ON DIMENSIONS, UNLESS OTHERWISE NOTED ARE:  
 SAWED, SHEARED AND GAS CUT EDGES ( $\pm 0.030''$ )  
 DRILLED AND GAS CUT HOLES ( $\pm 0.030''$ ) - NO CONING OF HOLES  
 LASER CUT EDGES AND HOLES ( $\pm 0.010''$ ) - NO CONING OF HOLES  
 BENDS ARE  $\pm 1/2$  DEGREE  
 ALL OTHER MACHINING ( $\pm 0.030''$ )  
 ALL OTHER ASSEMBLY ( $\pm 0.060''$ )

PROPRIETARY NOTE:  
 THE DATA AND TECHNIQUES CONTAINED IN THIS DRAWING ARE PROPRIETARY INFORMATION OF VALMONT INDUSTRIES AND CONSIDERED A TRADE SECRET. ANY USE OR DISCLOSURE WITHOUT THE CONSENT OF VALMONT INDUSTRIES IS STRICTLY PROHIBITED.

DESCRIPTION  
**SECTOR FRAME STABILIZER - HORIZONTAL LONG**

**SITE PRO 1**  
 A valmont COMPANY

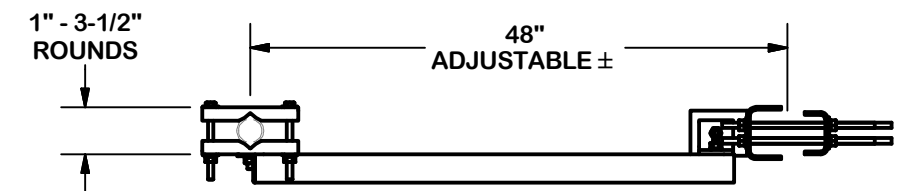
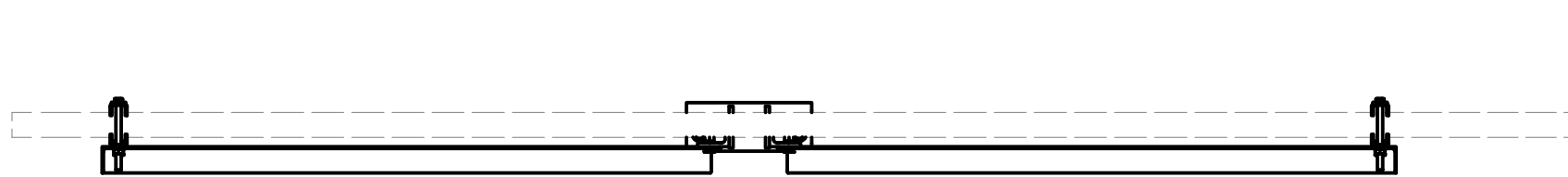
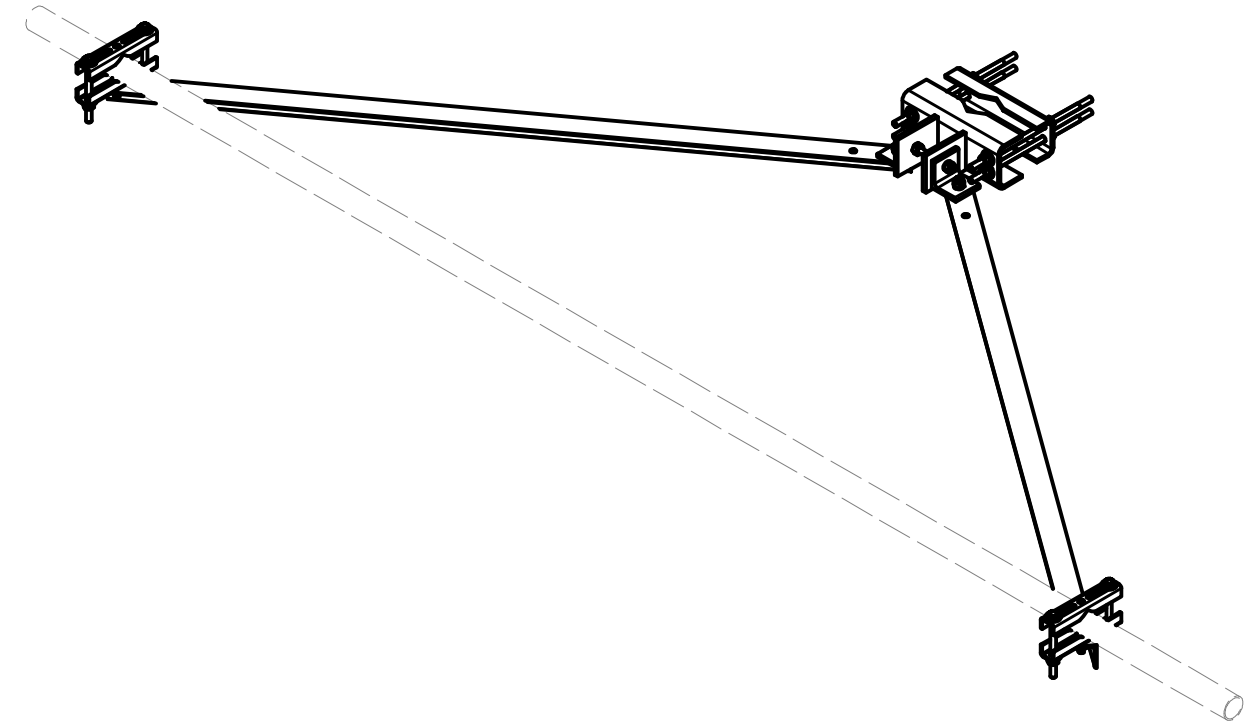
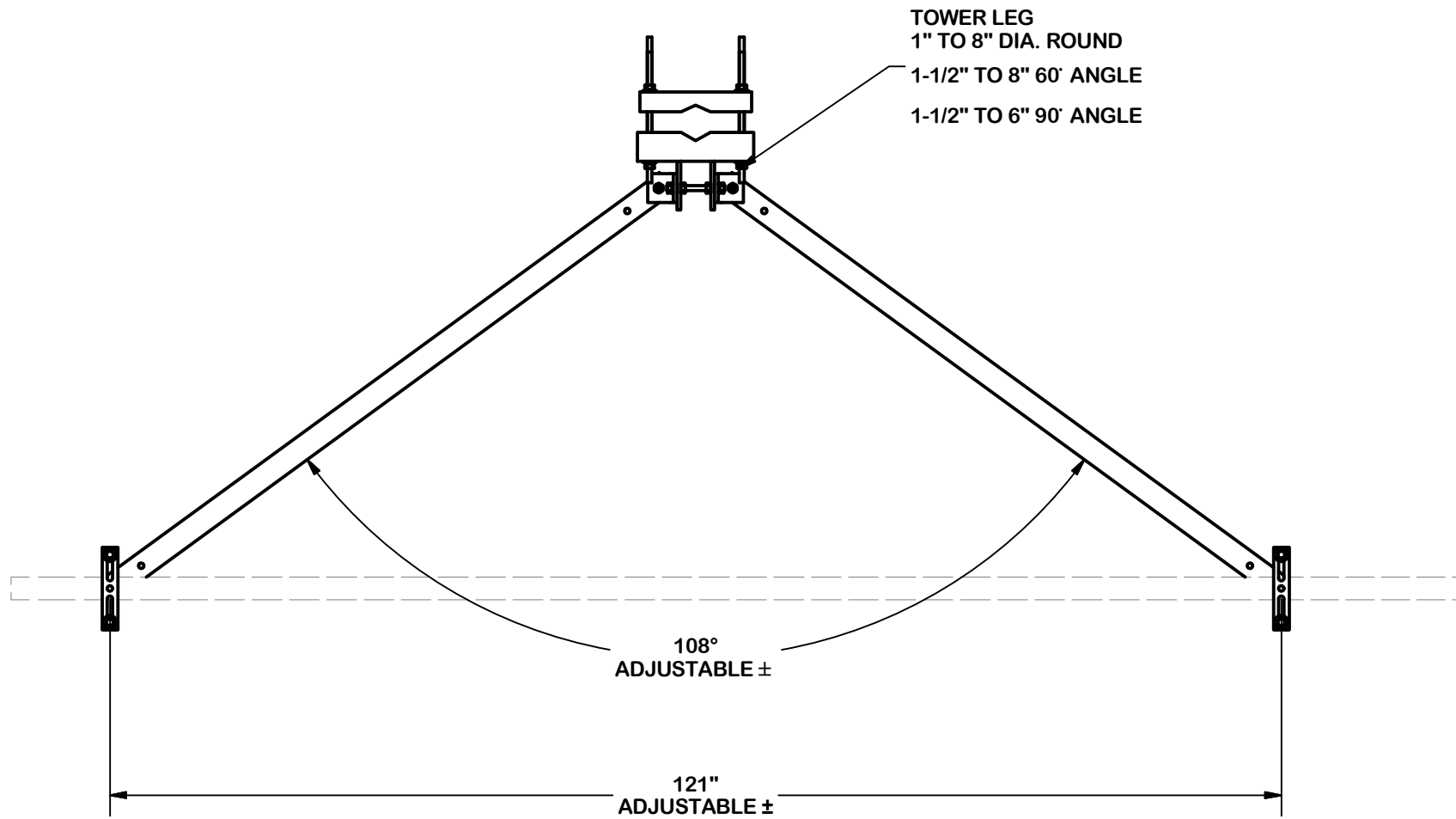
Engineering Support Team:  
 1-888-753-7446

Locations:  
 New York, NY  
 Atlanta, GA  
 Los Angeles, CA  
 Plymouth, IN  
 Salem, OR  
 Dallas, TX

REV	DESCRIPTION OF REVISIONS	CPD	BY	DATE
A	CHANGED MAX. DIA. FOR HANDRAIL CONNECTION	5563	BC	10/25/2017
REVISION HISTORY				

CPD NO. 5563	DRAWN BY CEK 3/23/2017	ENG. APPROVAL
CLASS 81	SUB 01	DRAWING USAGE CUSTOMER
CHECKED BY BMC 3/23/2017		

PART NO. SFS-H-L	DWG. NO. SFS-H-L
---------------------	---------------------



**TOLERANCE NOTES**

TOLERANCES ON DIMENSIONS, UNLESS OTHERWISE NOTED ARE:  
 SAWED, SHEARED AND GAS CUT EDGES (± 0.030")  
 DRILLED AND GAS CUT HOLES (± 0.030") - NO CONING OF HOLES  
 LASER CUT EDGES AND HOLES (± 0.010") - NO CONING OF HOLES  
 BENDS ARE ± 1/2 DEGREE  
 ALL OTHER MACHINING (± 0.030")  
 ALL OTHER ASSEMBLY (± 0.060")

PROPRIETARY NOTE:  
 THE DATA AND TECHNIQUES CONTAINED IN THIS DRAWING ARE PROPRIETARY INFORMATION OF VALMONT INDUSTRIES AND CONSIDERED A TRADE SECRET. ANY USE OR DISCLOSURE WITHOUT THE CONSENT OF VALMONT INDUSTRIES IS STRICTLY PROHIBITED.

DESCRIPTION  
**SECTOR FRAME  
 STABILIZER - HORIZONTAL  
 LONG**

CPD NO. <b>5563</b>	DRAWN BY <b>CEK 3/23/2017</b>	ENG. APPROVAL
CLASS <b>81</b>	SUB <b>01</b>	DRAWING USAGE <b>CUSTOMER</b>
CHECKED BY <b>BMC 3/23/2017</b>		

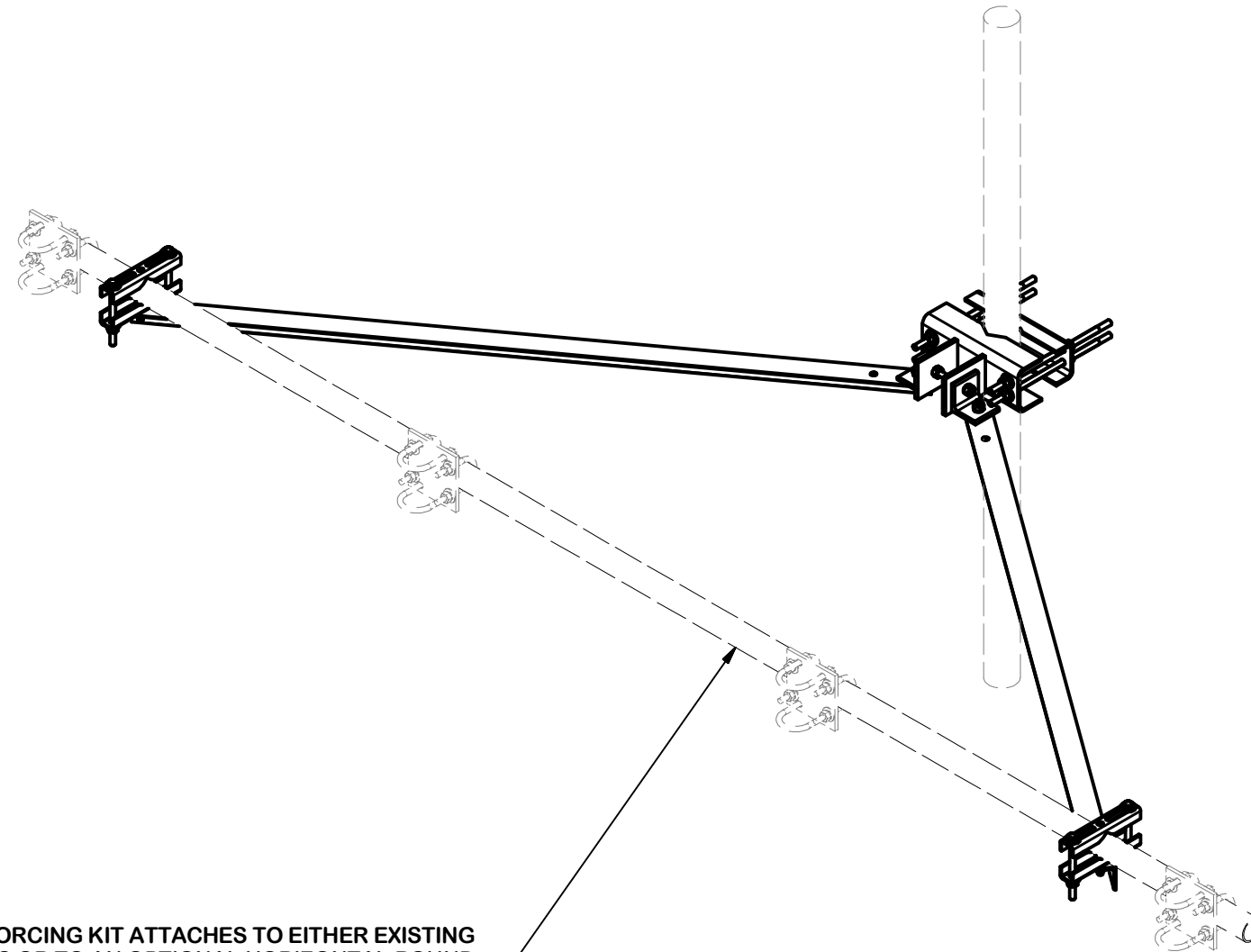
**SITE PRO 1**  
 A valmont COMPANY

Engineering Support Team:  
 1-888-753-7446

Locations:  
 New York, NY  
 Atlanta, GA  
 Los Angeles, CA  
 Plymouth, IN  
 Salem, OR  
 Dallas, TX

PART NO. <b>SFS-H-L</b>	PAGE <b>2 OF 3</b>
DWG. NO. <b>SFS-H-L</b>	

REV	DESCRIPTION OF REVISIONS	CPD	BY	DATE
A	CHANGED MAX. DIA. FOR HANDRAIL CONNECTION	5563	BC	10/25/2017
REVISION HISTORY				



SECTOR FRAME REINFORCING KIT ATTACHES TO EITHER EXISTING SECTOR FRAME CROSS ARMS OR TO AN OPTIONAL HORIZONTAL ROUND MEMBER (SHOWN, SOLD SEPARATELY). IF PURCHASING OPTIONAL HORIZONTAL ROUND MEMBER, CORRESPONDING CROSSOVER PLATE KITS WILL NEED TO BE PURCHASED, ONE PER EXISTING ANTENNA MOUNTING PIPE.

**TOLERANCE NOTES**

TOLERANCES ON DIMENSIONS, UNLESS OTHERWISE NOTED ARE:  
 SAWED, SHEARED AND GAS CUT EDGES ( $\pm 0.030''$ )  
 DRILLED AND GAS CUT HOLES ( $\pm 0.030''$ ) - NO CONING OF HOLES  
 LASER CUT EDGES AND HOLES ( $\pm 0.010''$ ) - NO CONING OF HOLES  
 BENDS ARE  $\pm 1/2$  DEGREE  
 ALL OTHER MACHINING ( $\pm 0.030''$ )  
 ALL OTHER ASSEMBLY ( $\pm 0.060''$ )

PROPRIETARY NOTE:  
 THE DATA AND TECHNIQUES CONTAINED IN THIS DRAWING ARE PROPRIETARY INFORMATION OF VALMONT INDUSTRIES AND CONSIDERED A TRADE SECRET. ANY USE OR DISCLOSURE WITHOUT THE CONSENT OF VALMONT INDUSTRIES IS STRICTLY PROHIBITED.

DESCRIPTION  
**SECTOR FRAME  
 STABILIZER - HORIZONTAL  
 LONG**

CPD NO. <b>5563</b>	DRAWN BY <b>CEK 3/23/2017</b>	ENG. APPROVAL
CLASS <b>81</b>	SUB <b>01</b>	DRAWING USAGE <b>CUSTOMER</b>
CHECKED BY <b>BMC 3/23/2017</b>		



Locations:  
 New York, NY  
 Atlanta, GA  
 Los Angeles, CA  
 Plymouth, IN  
 Salem, OR  
 Dallas, TX

Engineering  
 Support Team:  
 1-888-753-7446

PART NO. <b>SFS-H-L</b>
DWG. NO. <b>SFS-H-L</b>

REV	DESCRIPTION OF REVISIONS	CPD	BY	DATE
A	CHANGED MAX. DIA. FOR HANDRAIL CONNECTION	5563	BC	10/25/2017
REVISION HISTORY				