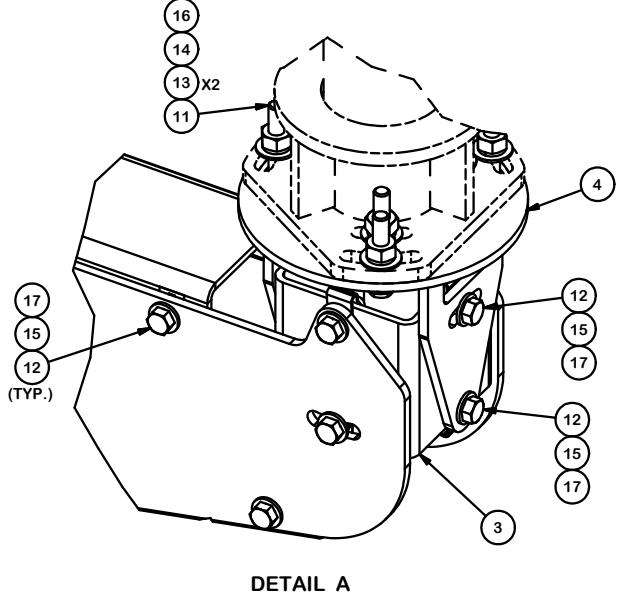


PARTS LIST						
ITEM	QTY	PART NO.	PART DESCRIPTION	LENGTH	UNIT WT.	NET WT.
1	1	X-GCSA-24	WELDMENT FOR 24" CONCEALED SIDE ARM		36.51	36.51
2	2	X-GCSA-24BP	TOP/ BOTTOM PLATE FOR 24" CONCEALED SIDE ARM WELDMENT	6 1/4 in	6.63	13.27
3	1	X-TMHUB	GUMBLE HUB	4 in	3.20	3.20
4	1	X-GTP	GIMBLE TOP PLATE WELDMENT		4.21	4.21
5	2	BP3-58	BACKING PLATE FOR 5/8" HARDWARE	3 in	0.65	1.30
6	2	G58R-10	5/8" x 10" THREADED ROD (HDG.)		0.87	1.74
6	2	G58R-18	5/8" x 18" THREADED ROD (HDG.)		1.57	3.14
7	2	LB5805	5/8" DIA. x 5" HEX HEAD LAG BOLT (HDG.)		0.38	0.77
8	2	G58FW	5/8" HDG USS FLATWASHER	1/8 in	0.07	0.14
9	4	G58LW	5/8" HDG LOCKWASHER		0.03	0.10
10	4	G58NUT	5/8" HDG HEAVY 2H HEX NUT		0.13	0.52
11	6	G3802	3/8" x 2" HDG HEX BOLT GR5		0.09	0.53
12	20	SS38114	SS 3/8" X 1-1/4" BOLT	1 1/4 in	0.06	1.19
13	12	G38FW	3/8" HDG USS FLATWASHER		0.01	0.14
14	6	G38LW	3/8" HDG LOCKWASHER		0.01	0.04
15	20	SS38FW	3/8" STAINLESS FLATWASHER		0.01	0.18
16	6	G38NUT	3/8" HDG HEAVY 2H HEX NUT		0.03	0.20
17	20	RN38-34	RETAINING NUT 3/8" X 3/4"		0.03	0.64
					TOTAL WT. #	66.07



REV	DESCRIPTION OF REVISIONS	CPD	BY	DATE
A	PARTS LIST UPDATED WITH X-GCSA-24 & X-GCSA-24BP		CEK	8/30/2019
REVISION HISTORY				

TOLERANCE NOTES
 TOLERANCES ON DIMENSIONS, UNLESS OTHERWISE NOTED ARE:
 SAWED, SHEARED AND GAS CUT EDGES ($\pm 0.030"$)
 DRILLED AND GAS CUT HOLES ($\pm 0.030"$) - NO CONING OF HOLES
 LASER CUT EDGES AND HOLES ($\pm 0.010"$) - NO CONING OF HOLES
 BENDS AND ANGLES ARE $\pm 1/2$ DEGREE
 ALL OTHER MACHINING ($\pm 0.030"$)
 ALL OTHER ASSEMBLY ($\pm 0.060"$)

PROPRIETARY NOTE:
 THE DATA AND TECHNIQUES CONTAINED IN THIS DRAWING ARE PROPRIETARY INFORMATION OF VALMONT INDUSTRIES AND CONSIDERED A TRADE SECRET. ANY USE OR DISCLOSURE WITHOUT THE CONSENT OF VALMONT INDUSTRIES IS STRICTLY PROHIBITED.

DESCRIPTION		CONCEALED SIDE ARM	
CPD NO.	DRAWN BY	ENG. APPROVAL	
	CEK 5/31/2019		
CLASS	SUB	DRAWING USAGE	CHECKED BY
81	02	CUSTOMER	BMC 8/30/2019

 A valmont COMPANY	Locations: New York, NY Atlanta, GA Los Angeles, CA Plymouth, IN Salem, OR Dallas, TX Tampa, FL
	Engineering Support Team: 1-888-753-7446
PART NO.	SMA-GIMBAL24
DWG. NO.	SMA-GIMBAL24