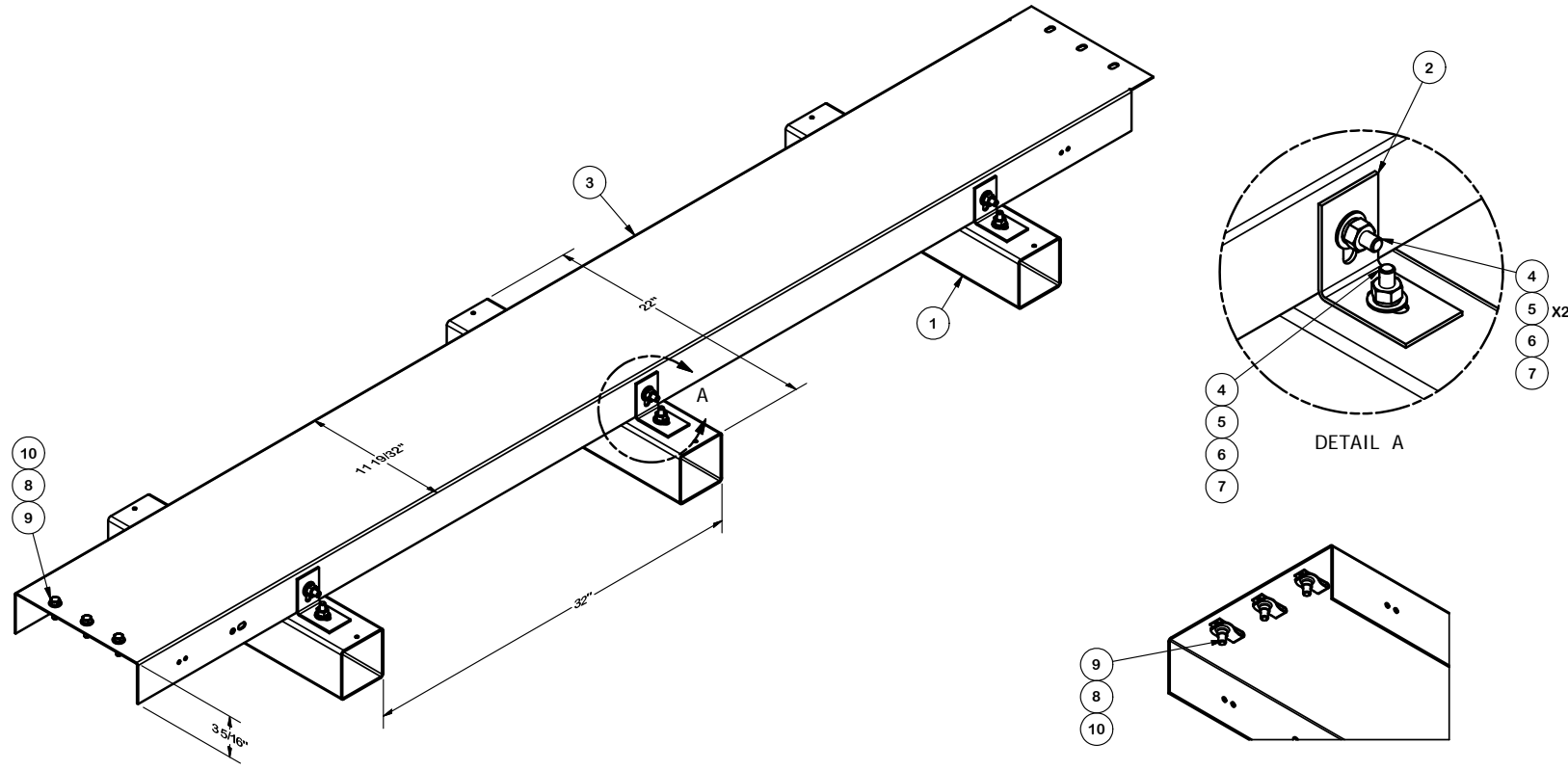


PARTS LIST						
ITEM	QTY	PART NO.	PART DESCRIPTION	LENGTH	UNIT WT.	NET WT.
1	3	SLPR4	PVC ROOFTOP SLEEPER	22 in	2.10	6.29
2	6	RCCLIP	ROOFTOP COVER CLIP ANGLE		0.36	2.14
3	1	X-SP1542	4 RUN ROOFTOP COVER		47.77	47.77
4	12	G38114	3/8" x 1-1/4" HDG HEX BOLT GR5		0.06	0.75
5	18	G38FW	3/8" HDG USS FLATWASHER		0.01	0.21
6	12	G38LW	3/8" HDG LOCKWASHER		0.01	0.08
7	12	G38NUT	3/8" HDG HEAVY 2H HEX NUT		0.03	0.41
8	3	RN38	RETAINING NUT 3/8" X 1-1/4"		0.04	0.12
9	3	SS38114	SS 3/8" X 1-1/4" BOLT	1 1/4 in	0.06	0.18
10	3	SS38FW	3/8" STAINLESS FLATWASHER		0.01	0.03
					TOTAL WT. #	57.98



**TOLERANCE NOTES**  
 TOLERANCES ON DIMENSIONS, UNLESS OTHERWISE NOTED ARE:  
 SAWED, SHEARED AND GAS CUT EDGES ( $\pm 0.030"$ )  
 DRILLED AND GAS CUT HOLES ( $\pm 0.030"$ ) - NO CONING OF HOLES  
 LASER CUT EDGES AND HOLES ( $\pm 0.010"$ ) - NO CONING OF HOLES  
 BENDS ARE  $\pm 1/2$  DEGREE  
 ALL OTHER MACHINING ( $\pm 0.030"$ )  
 ALL OTHER ASSEMBLY ( $\pm 0.060"$ )

PROPRIETARY NOTE:  
 THE DATA AND TECHNIQUES CONTAINED IN THIS DRAWING ARE PROPRIETARY INFORMATION OF VALMONT INDUSTRIES AND CONSIDERED A TRADE SECRET. ANY USE OR DISCLOSURE WITHOUT THE CONSENT OF VALMONT INDUSTRIES IS STRICTLY PROHIBITED.

DESCRIPTION		ROOFTOP COAX KITS FOR 4 RUNS OF COAX	
CPD NO.	DRAWN BY	ENG. APPROVAL	
	CEK 8/29/2011		
CLASS	SUB	DRAWING USAGE	CHECKED BY
81	01	CUSTOMER	BMC 9/2/2011

 A valmont COMPANY	Locations: New York, NY Atlanta, GA Los Angeles, CA Plymouth, IN Salem, OR Dallas, TX
	Engineering Support Team: 1-888-753-7446
PART NO.	SP1542
DWG. NO.	SP1542