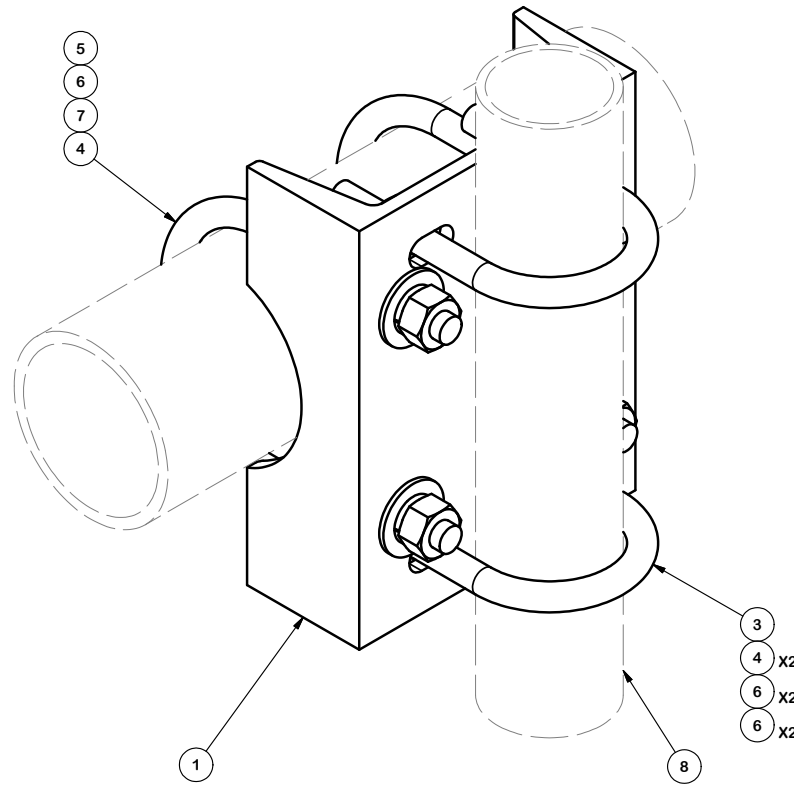


2-7/8" O.D. VERTICAL MOUNTING PIPES

ASSEMBLY "A"	PART NO. "B"	PART DESCRIPTION	LENGTH "C"	UNIT WT. "D"	NET WT. "E"	TOTAL WEIGHT
SP219-96H	P3096	2-7/8" DIA X 63" SCH 40 GALVANIZED PIPE	96"	49.24	49.24	62.45
SP219-120H	P30126	2-7/8" DIA X 63" SCH 40 GALVANIZED PIPE	126"	76.94	76.94	89.15

PARTS LIST

ITEM	QTY	PART NO.	PART DESCRIPTION	LENGTH	UNIT WT.	NET WT.
1	1	X-SP219	SMALL SUPPORT CROSS PLATE	8.250 in	8.61	8.61
3	2	X-UB1212	1/2" X 2-1/2" X 4-1/2" X 2" U-BOLT (HDG.)		0.26	0.51
3	2	X-UB1300	1/2" X 3" X 5" X 2" GALV U-BOLT		0.74	1.48
4	2	X-UB1306	1/2" X 3-5/8" X 6" X 3" GALV U-BOLT		0.83	1.66
5	8	G12NUT	1/2" HDG HEAVY 2H HEX NUT		0.07	0.57
6	8	G12LW	1/2" HDG LOCKWASHER		0.01	0.11
7	8	G12FW	1/2" HDG USS FLATWASHER		0.03	0.27
8	1	"B"	2-7/8" O.D. VERTICAL MOUNTING PIPES	"C"	"D"	"E"



TOLERANCE NOTES

**TOLERANCES ON DIMENSIONS, UNLESS OTHERWISE NOTED ARE:
 SAWED, SHEARED AND GAS CUT EDGES ($\pm 0.030"$)
 DRILLED AND GAS CUT HOLES ($\pm 0.030"$) - NO CONING OF HOLES
 LASER CUT EDGES AND HOLES ($\pm 0.010"$) - NO CONING OF HOLES
 BENDS ARE $\pm 1/2$ DEGREE
 ALL OTHER MACHINING ($\pm 0.030"$)
 ALL OTHER ASSEMBLY ($\pm 0.060"$)**

PROPRIETARY NOTE:
 THE DATA AND TECHNIQUES CONTAINED IN THIS DRAWING ARE PROPRIETARY INFORMATION OF VALMONT INDUSTRIES AND CONSIDERED A TRADE SECRET. ANY USE OR DISCLOSURE WITHOUT THE CONSENT OF VALMONT INDUSTRIES IS STRICTLY PROHIBITED.

DESCRIPTION
 2-7/8" PIPE MOUNT KITS

SITE PRO 1
 Engineering Support Team:
 1-888-753-7446
 Locations:
 New York, NY
 Atlanta, GA
 Los Angeles, CA
 Plymouth, IN
 Salem, OR
 Dallas, TX

CPD NO.	DRAWN BY	ENG. APPROVAL
CLASS	DRAWING USAGE	CHECKED BY
81	01	CUSTOMER
		BMC 2/2/2016

PART NO.	SP219-xxxH
DWG. NO.	SP219-xxxH