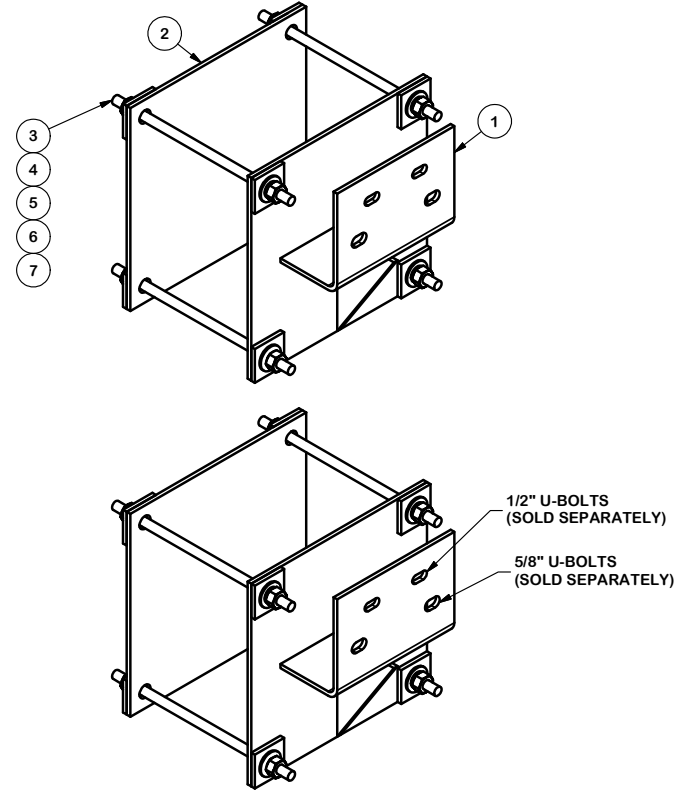
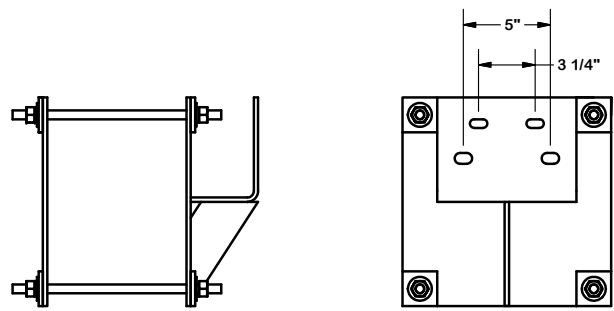
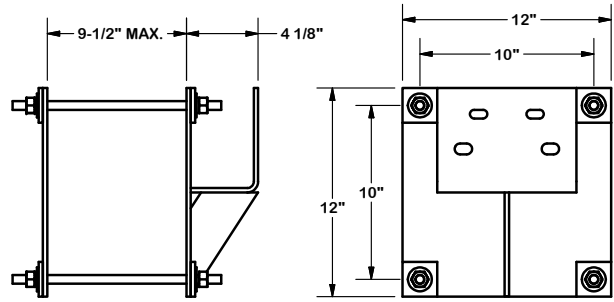


PARTS LIST						
ITEM	QTY	PART NO.	PART DESCRIPTION	LENGTH	UNIT WT.	NET WT.
1	2	X-SP22	HEAVY WALL MOUNT BRACKET		16.16	32.32
2	2	SP-221BP	12" x 12" WALL MOUNT BACKING PLATE	12 in	10.10	20.19
3	8	G12R-12	1/2" x 12" THREADED ROD (HDG.)		0.35	2.81
4	16	SQW12	1/4" x 2" FLAT STOCK	2 in	0.27	4.26
5	16	G12FW	1/2" HDG USS FLATWASHER		0.03	0.55
6	14	G12LW	1/2" HDG LOCKWASHER		0.01	0.19
7	16	G12NUT	1/2" HDG HEAVY 2H HEX NUT		0.07	1.15
					TOTAL WT. #	64.01



TOLERANCE NOTES

TOLERANCES ON DIMENSIONS, UNLESS OTHERWISE NOTED ARE:
 SAWED, SHEARED AND GAS CUT EDGES ($\pm 0.030"$)
 DRILLED AND GAS CUT HOLES ($\pm 0.030"$) - NO CONING OF HOLES
 LASER CUT EDGES AND HOLES ($\pm 0.010"$) - NO CONING OF HOLES
 BENDS ARE $\pm 1/2$ DEGREE
 ALL OTHER MACHINING ($\pm 0.030"$)
 ALL OTHER ASSEMBLY ($\pm 0.060"$)

PROPRIETARY NOTE:
 THE DATA AND TECHNIQUES CONTAINED IN THIS DRAWING ARE PROPRIETARY INFORMATION OF VALMONT INDUSTRIES AND CONSIDERED A TRADE SECRET. ANY USE OR DISCLOSURE WITHOUT THE CONSENT OF VALMONT INDUSTRIES IS STRICTLY PROHIBITED.

DESCRIPTION
 HOLLOW WALL KIT

CPD NO.	DRAWN BY	ENG. APPROVAL
CLASS	DRAWING USAGE	CHECKED BY
81	01	CUSTOMER
		5/25/2011
		BMC 6/2/2011

SITE PRO 1
 A valmont COMPANY

Engineering Support Team:
 1-888-753-7446

Locations:
 New York, NY
 Atlanta, GA
 Los Angeles, CA
 Plymouth, IN
 Salem, OR
 Dallas, TX

PART NO.	SP221
DWG. NO.	SP221