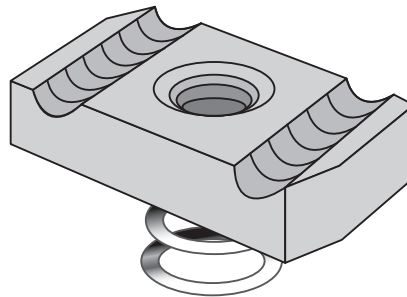
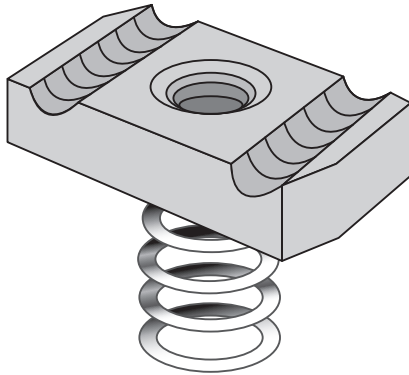


SP78 and SP158: Spring Nuts



Features:

- Accepts 3/8" hardware
- Hot-dip galvanized
- Use with SQN1 square nut.

Part #	Strut Size
SP78	1-5/8" x 7/8"
SP158	1-5/8" x 1-5/8"