

PARTS LIST						
ITEM	QTY	PART NO.	PART DESCRIPTION	LENGTH	UNIT WT.	NET WT.
1	2	X-159999	BACKING PLATE		5.46	10.92
2	2	X-155561	UNIVERSAL PIPE MOUNTING PLATE (OUTER)		12.53	25.06
3	2	X-154463	UNIVERSAL PIPE MOUNTING PLATE (INNER)		10.01	20.03
4	1	P472	4-1/2" O.D. SCH. 40 GALVANIZED PIPE	72 in	64.89	64.89
5	1	X-214130	BENT PLATE V-CLAMP	12 5/8 in	11.43	11.43
6	1	X-LSM	15" ANGLE STANDOFF ARM	15 in	40.04	40.04
7	4	X-115765	5" V-CLAMP		1.02	4.07
8	16	G12065	1/2" x 6-1/2" HDG HEX BOLT GR5 FULL THREAD	6 1/2 in	0.41	6.55
9	4	X-UB1458	1/2" x 4-5/8" X 7" X 3" U-BOLT (HDG.)		0.97	3.89
10	36	G12FW	1/2" HDG USS FLATWASHER		0.03	1.09
11	24	G12LW	1/2" HDG LOCKWASHER		0.01	0.33
12	24	G12NUT	1/2" HDG HEAVY 2H HEX NUT		0.07	1.72
13	4	A5802	5/8" x 2" HDG A325 HEX BOLT	2 in	0.27	1.09
14	4	G58R-10	5/8" GR-2 GALV THREADED ROD	10 in	0.87	3.48
15	12	A58FW	5/8" HDG A325 FLATWASHER		0.03	0.27
16	12	G58LW	5/8" HDG LOCKWASHER		0.03	0.31
17	12	G58NUT	5/8" HDG HEAVY 2H HEX NUT		0.13	1.56
					TOTAL WT. #	200.78

**TOLERANCE NOTES**

**TOLERANCES ON DIMENSIONS, UNLESS OTHERWISE NOTED ARE:**  
**SAWED, SHEARED AND GAS CUT EDGES ( $\pm 0.030"$ )**  
**DRILLED AND GAS CUT HOLES ( $\pm 0.030"$ ) - NO CONING OF HOLES**  
**LASER CUT EDGES AND HOLES ( $\pm 0.010"$ ) - NO CONING OF HOLES**  
**BENDS ARE  $\pm 1/2$  DEGREE**  
**ALL OTHER MACHINING ( $\pm 0.030"$ )**  
**ALL OTHER ASSEMBLY ( $\pm 0.060"$ )**

PROPRIETARY NOTE:  
 THE DATA AND TECHNIQUES CONTAINED IN THIS DRAWING ARE PROPRIETARY INFORMATION OF VALMONT INDUSTRIES AND CONSIDERED A TRADE SECRET. ANY USE OR DISCLOSURE WITHOUT THE CONSENT OF VALMONT INDUSTRIES IS STRICTLY PROHIBITED.

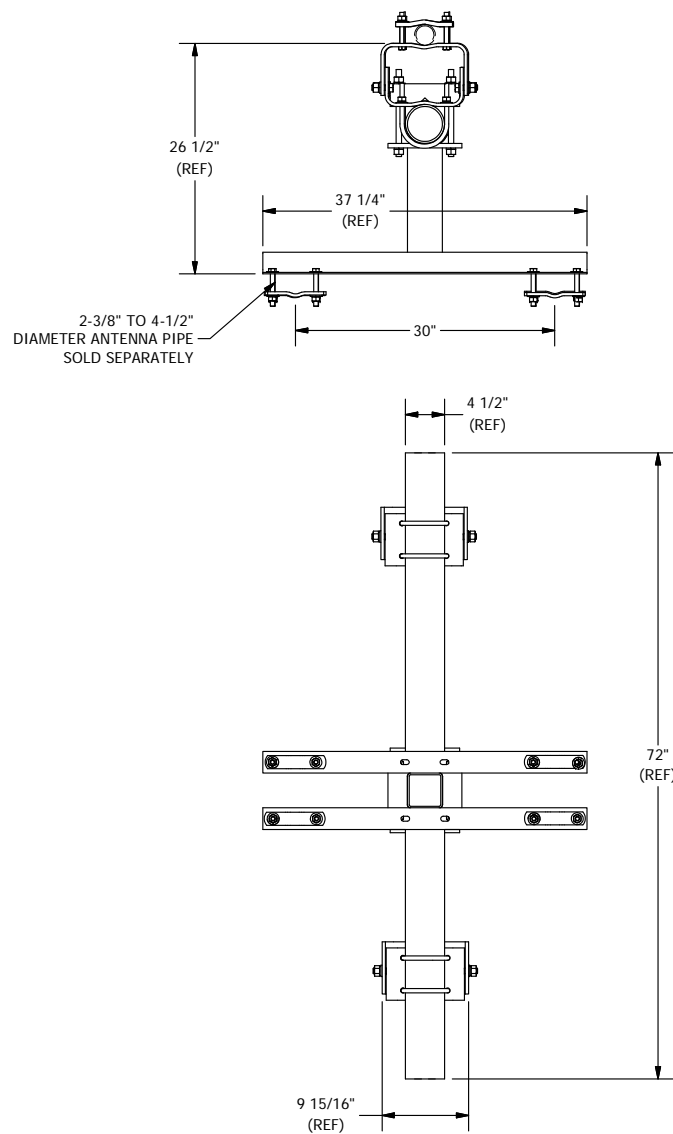
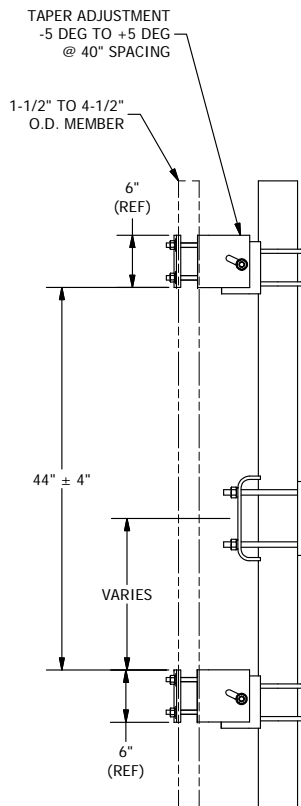
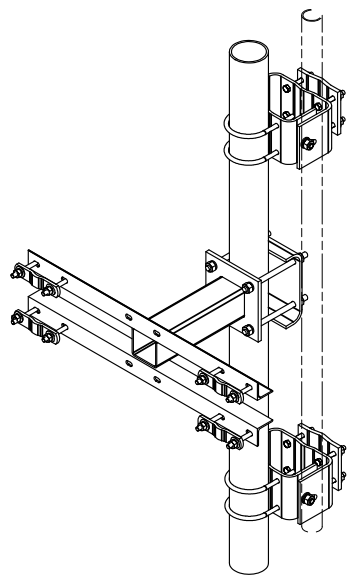
DESCRIPTION  
**ANGLE STANDOFF ARM  
 SELF SUPPORT TOWER  
 ASSEMBLY**

CPD NO. 4924	DRAWN BY BMC 1/31/2011	ENG. APPROVAL
CLASS 81	SUB 02	DRAWING USAGE CUSTOMER
CHECKED BY KC8 8/14/2012		

**SITE PRO 1**  
 Engineering Support Team:  
 1-888-753-7446

Locations:  
 New York, NY  
 Atlanta, GA  
 Los Angeles, CA  
 Plymouth, IN  
 Salem, OR  
 Dallas, TX

PART NO. <b>SST-LSM</b>	PAGE 1 OF 2
DWG. NO. <b>SST-LSM</b>	



**TOLERANCE NOTES**

**TOLERANCES ON DIMENSIONS, UNLESS OTHERWISE NOTED ARE:  
 SAWED, SHEARED AND GAS CUT EDGES ( $\pm 0.030$ )  
 DRILLED AND GAS CUT HOLES ( $\pm 0.030$ ) - NO CONING OF HOLES  
 LASER CUT EDGES AND HOLES ( $\pm 0.010$ ) - NO CONING OF HOLES  
 BENDS ARE  $\pm 1/2$  DEGREE  
 ALL OTHER MACHINING ( $\pm 0.030$ )  
 ALL OTHER ASSEMBLY ( $\pm 0.060$ )**

**PROPRIETARY NOTE:  
 THE DATA AND TECHNIQUES CONTAINED IN THIS DRAWING ARE PROPRIETARY INFORMATION OF VALMONT  
 INDUSTRIES AND CONSIDERED A TRADE SECRET. ANY USE OR DISCLOSURE WITHOUT THE CONSENT OF  
 VALMONT INDUSTRIES IS STRICTLY PROHIBITED.**

DESCRIPTION  
**ANGLE STANDOFF ARM  
 SELF SUPPORT TOWER  
 ASSEMBLY**

CPD NO. 4924	DRAWN BY BMC 1/31/2011	ENG. APPROVAL
CLASS 81	SUB 02	DRAWING USAGE CUSTOMER
CHECKED BY KC8 8/14/2012		



Locations:  
 New York, NY  
 Atlanta, GA  
 Los Angeles, CA  
 Plymouth, IN  
 Salem, OR  
 Dallas, TX

Engineering  
 Support Team:  
 1-888-753-7446

PART NO. <b>SST-LSM</b>	PAGE 2 OF 2
DWG. NO. <b>SST-LSM</b>	