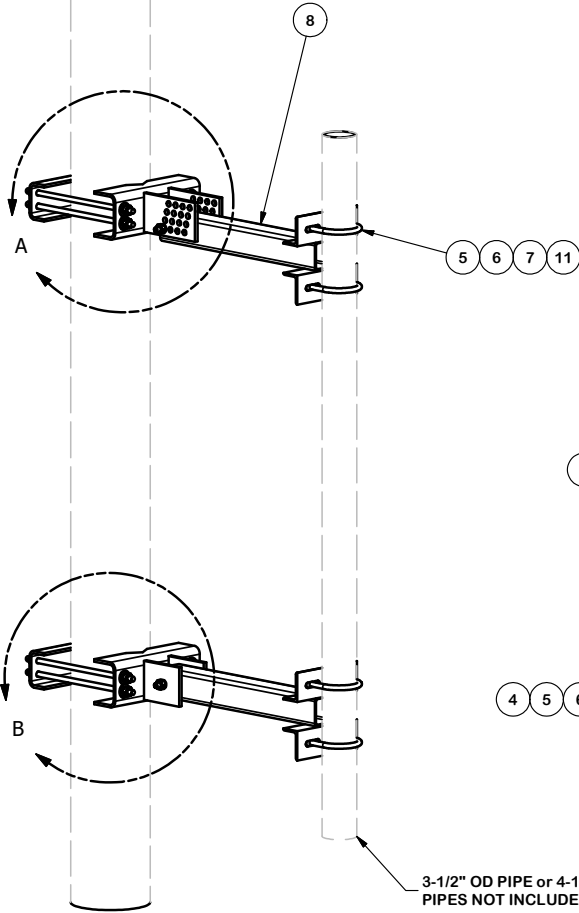
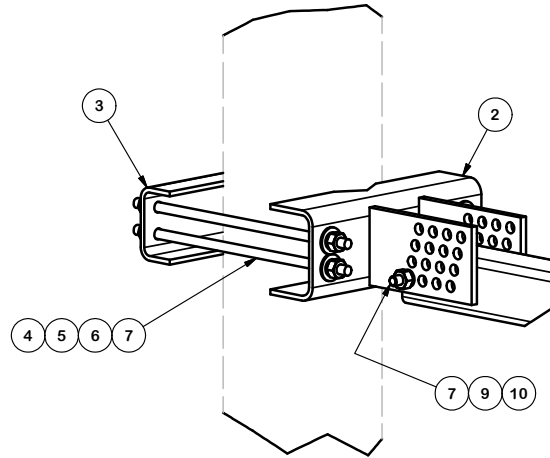


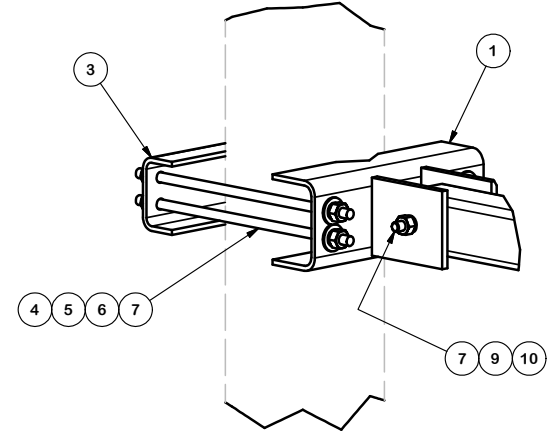
TOWER LEG
1" TO 8" DIA. ROUND
1-1/2" TO 8" 60° ANGLE
1-1/2" TO 6" 90° ANGLE



3-1/2" OD PIPE or 4-1/2" OD PIPE
PIPES NOT INCLUDED



DETAIL A
UPPER MOUNTING BRACKET



DETAIL B
LOWER MOUNTING BRACKET

PARTS LIST						
ITEM	QTY	PART NO.	PART DESCRIPTION	LENGTH	UNIT WT.	NET WT.
1	1	CFS	LOWER GATE FOOT WELDMENT		12.72	12.72
2	1	CFM	UPPER GATE FOOT WELDMENT		13.90	13.90
3	2	GBB	GATE BACKING BAR	11 1/2 in	4.53	9.06
4	8	G12R-15	1/2" x 15" GALV. THREADED ROD		0.84	6.69
4	8	G12R-12	1/2" x 12" GALV. THREADED ROD		0.67	5.35
5	24	G12NUT	1/2" HDG HEAVY 2H HEX NUT		0.07	1.72
6	24	G12FW	1/2" HDG USS FLATWASHER	3/32 in	0.03	0.82
7	26	G12LW	1/2" HDG LOCKWASHER	1/8 in	0.01	0.36
8	2	X-UAPM22	UNIVERSAL ANGLE TUBE 22"		16.76	33.53
9	2	A12NUT	1/2" HDG A325 HEX NUT	15/32 in	0.07	0.14
10	2	A1205	1/2" x 5" A325 HDG BOLT		0.34	0.69
11	4	X-UB1358	1/2" X 3-5/8" X 5-1/2" X 3" GALV U-BOLT		0.77	3.09
11	4	X-UB1458	1/2" X 4-5/8" X 7" X 3" GALV U-BOLT		0.97	3.89
					TOTAL WT. #	94.37

TOLERANCE NOTES

TOLERANCES ON DIMENSIONS, UNLESS OTHERWISE NOTED ARE:
SAWED, SHEARED AND GAS CUT EDGES ($\pm 0.030"$)
DRILLED AND GAS CUT HOLES ($\pm 0.030"$) - NO CONING OF HOLES
LASER CUT EDGES AND HOLES ($\pm 0.010"$) - NO CONING OF HOLES
BENDS ARE $\pm 1/2$ DEGREE
ALL OTHER MACHINING ($\pm 0.030"$)
ALL OTHER ASSEMBLY ($\pm 0.060"$)

PROPRIETARY NOTE:
THE DATA AND TECHNIQUES CONTAINED IN THIS DRAWING ARE PROPRIETARY INFORMATION OF VALMONT INDUSTRIES AND CONSIDERED A TRADE SECRET. ANY USE OR DISCLOSURE WITHOUT THE CONSENT OF VALMONT INDUSTRIES IS STRICTLY PROHIBITED.

DESCRIPTION

2' STAND-OFF, 3-1/2" AND 4-1/2" OD PIPE
UNIVERSAL SLIDING TAPERED PIPE MOUNT

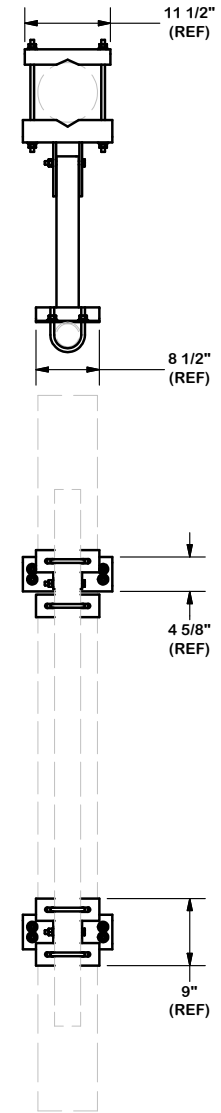
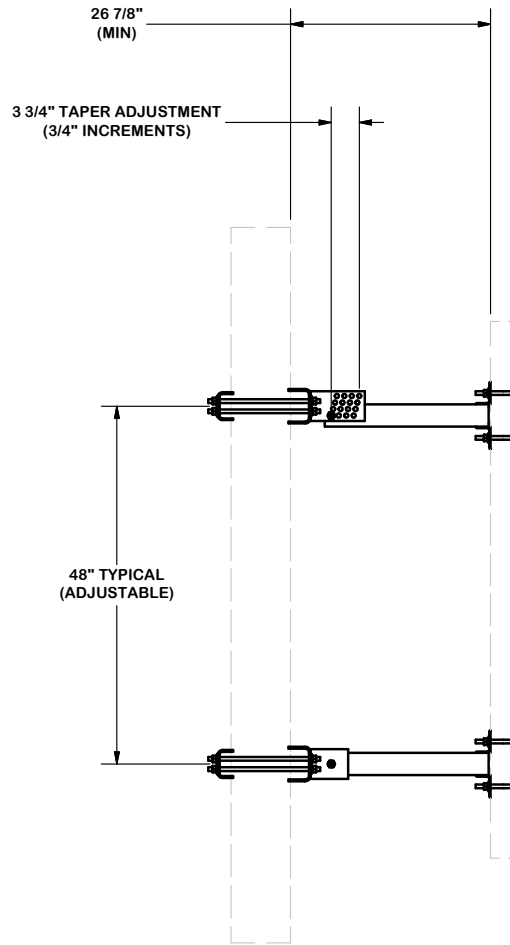
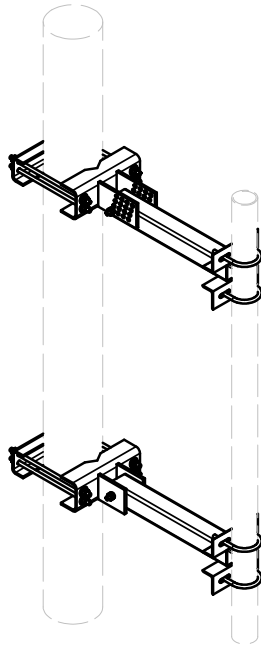
CPD NO. 4711	DRAWN BY RH18 3/15/2010	ENG. APPROVAL
CLASS 81	SUB 01	DRAWING USAGE CUSTOMER
CHECKED BY BMC 4/22/2010		



Engineering Support Team:
1-888-753-7446

Locations:
New York, NY
Atlanta, GA
Los Angeles, CA
Plymouth, IN
Salem, OR
Dallas, TX

PART NO. TAM-3U-L
DWG. NO. TAM-3U-L



TOLERANCE NOTES

**TOLERANCES ON DIMENSIONS, UNLESS OTHERWISE NOTED ARE:
 SAWED, SHEARED AND GAS CUT EDGES (± 0.030 ")
 DRILLED AND GAS CUT HOLES (± 0.030 ") - NO CONING OF HOLES
 LASER CUT EDGES AND HOLES (± 0.010 ") - NO CONING OF HOLES
 BENDS ARE $\pm 1/2$ DEGREE
 ALL OTHER MACHINING (± 0.030 ")
 ALL OTHER ASSEMBLY (± 0.060 ")**

**PROPRIETARY NOTE:
 THE DATA AND TECHNIQUES CONTAINED IN THIS DRAWING ARE PROPRIETARY INFORMATION OF VALMONT
 INDUSTRIES AND CONSIDERED A TRADE SECRET. ANY USE OR DISCLOSURE WITHOUT THE CONSENT OF
 VALMONT INDUSTRIES IS STRICTLY PROHIBITED.**

DESCRIPTION

**2' STAND-OFF, 3-1/2" AND 4-1/2" OD PIPE
 UNIVERSAL SLIDING TAPERED PIPE MOUNT**

CPD NO. 4711	DRAWN BY RH18 3/15/2010	ENG. APPROVAL
CLASS 81	SUB 01	DRAWING USAGE CUSTOMER
		CHECKED BY BMC 4/22/2010



Engineering
 Support Team:
 1-888-753-7446

Locations:
 New York, NY
 Atlanta, GA
 Los Angeles, CA
 Plymouth, IN
 Salem, OR
 Dallas, TX

PART NO. TAM-3U-L
DWG. NO. TAM-3U-L