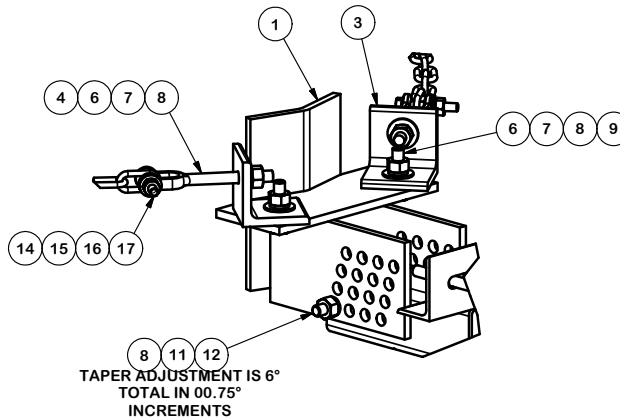
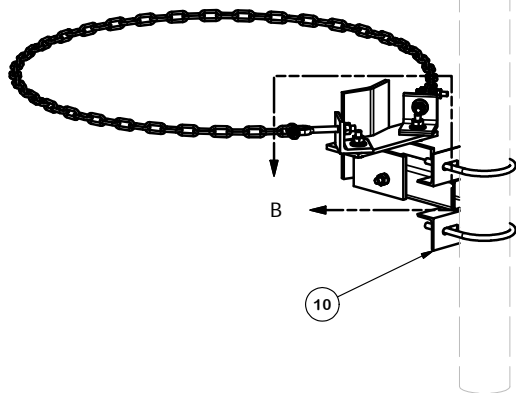
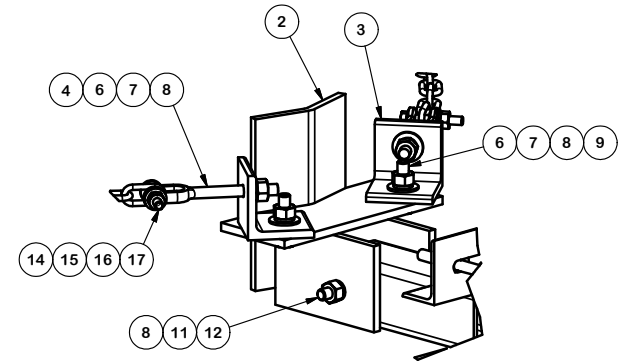


2-3/8" OD PIPE or 4-1/2" OD PIPE
PIPES NOT INCLUDED



DETAIL A
UPPER MOUNTING BRACKET



DETAIL B
LOWER MOUNTING BRACKET

PARTS LIST						
ITEM	QTY	PART NO.	PART DESCRIPTION	LENGTH	UNIT WT.	NET WT.
1	1	X-UCMMH	TOP CHAIN MOUNT BRACKET		16.17	16.17
2	1	X-UCMSH	LOWER CHAIN MOUNT BRACKET		14.14	14.14
3	4	SHCM-T	CHAIN MOUNT TIGHTENER BRACKET	3.000 in	1.84	7.36
4	4	JB4	JAW BOLT GALV. 1/2" x 6"		0.51	2.04
5	2	GC4095	1/4" x GR40 GALV. CHAIN 9.5'		4.07	8.14
6	16	G12NUT	1/2" HDG HEAVY 2H HEX NUT		0.07	1.15
7	16	G12FW	1/2" HDG USS FLATWASHER		0.03	0.55
8	18	G12LW	1/2" HDG LOCKWASHER		0.01	0.25
9	4	G1202	1/2" x 2" HDG HEX BOLT GR5	2	0.18	0.70
10	2	X-UAPM	UNIVERSAL ANGLE TUBE 9"		9.31	18.62
11	2	A12NUT	1/2" HDG A325 HEX NUT		0.07	0.14
12	2	A1205	1/2" x 5" A325 HDG BOLT	5 in.	0.34	0.69
13	4	X-UB1458	1/2" X 4-5/8" X 7" X 3" GALV U-BOLT		0.97	3.89
13	4	X-UB1212	1/2" X 2-1/2" X 4-1/2" X 2" GALV. U-BOLT		0.66	2.63
14	4	G38FW	3/8" HDG USS FLATWASHER		0.01	0.05
15	4	G38LW	3/8" HDG LOCKWASHER		0.01	0.03
16	4	G38NUT	3/8" HDG HEAVY 2H HEX NUT		0.03	0.14
17	4	G38212	3/8" x 2-1/2" HDG HEX BOLT GR5		0.10	0.41
					TOTAL WT. #	80.15

TOLERANCE NOTES

TOLERANCES ON DIMENSIONS, UNLESS OTHERWISE NOTED ARE:
 SAWED, SHEARED AND GAS CUT EDGES ($\pm 0.030"$)
 DRILLED AND GAS CUT HOLES ($\pm 0.030"$) - NO CONING OF HOLES
 LASER CUT EDGES AND HOLES ($\pm 0.010"$) - NO CONING OF HOLES
 BENDS ARE $\pm 1/2$ DEGREE
 ALL OTHER MACHINING ($\pm 0.030"$)
 ALL OTHER ASSEMBLY ($\pm 0.060"$)

PROPRIETARY NOTE:
 THE DATA AND TECHNIQUES CONTAINED IN THIS DRAWING ARE PROPRIETARY INFORMATION OF VALMONT INDUSTRIES AND CONSIDERED A TRADE SECRET. ANY USE OR DISCLOSURE WITHOUT THE CONSENT OF VALMONT INDUSTRIES IS STRICTLY PROHIBITED.

DESCRIPTION
 1'-0" STANDOFF, SINGLE SECTOR,
 TAPER ADJUSTMENT CHAIN MOUNT,
 SITE PRO 1

SITE PRO 1
 Engineering Support Team:
 1-888-753-7446
 Locations:
 New York, NY
 Atlanta, GA
 Los Angeles, CA
 Plymouth, IN
 Salem, OR
 Dallas, TX

CPD NO.	DRAWN BY	ENG. APPROVAL
	RH18 3/12/2010	
CLASS	DRAWING USAGE	CHECKED BY
81	CUSTOMER	BMC 3/15/2010

PART NO.	TCHM1
DWG. NO.	TCHM1