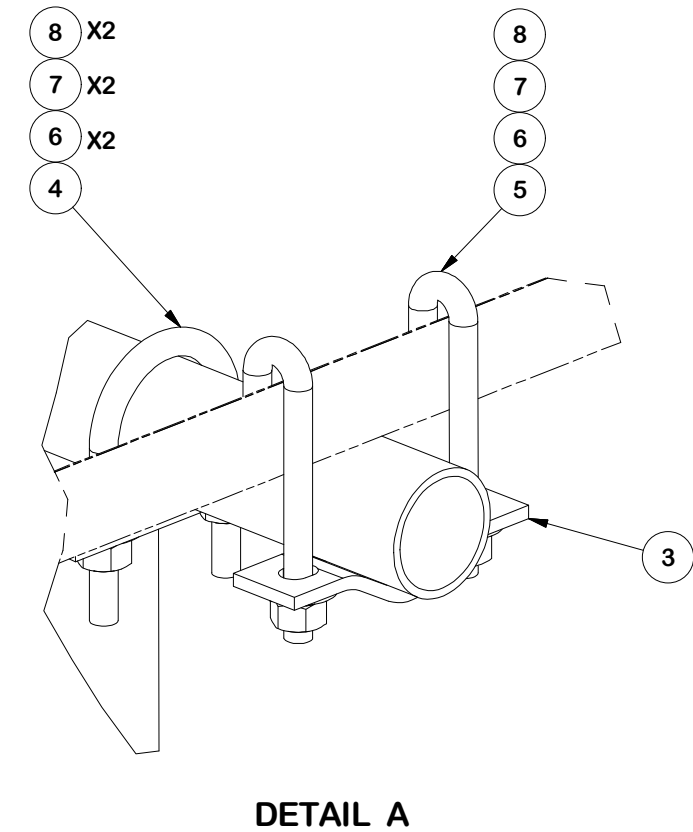
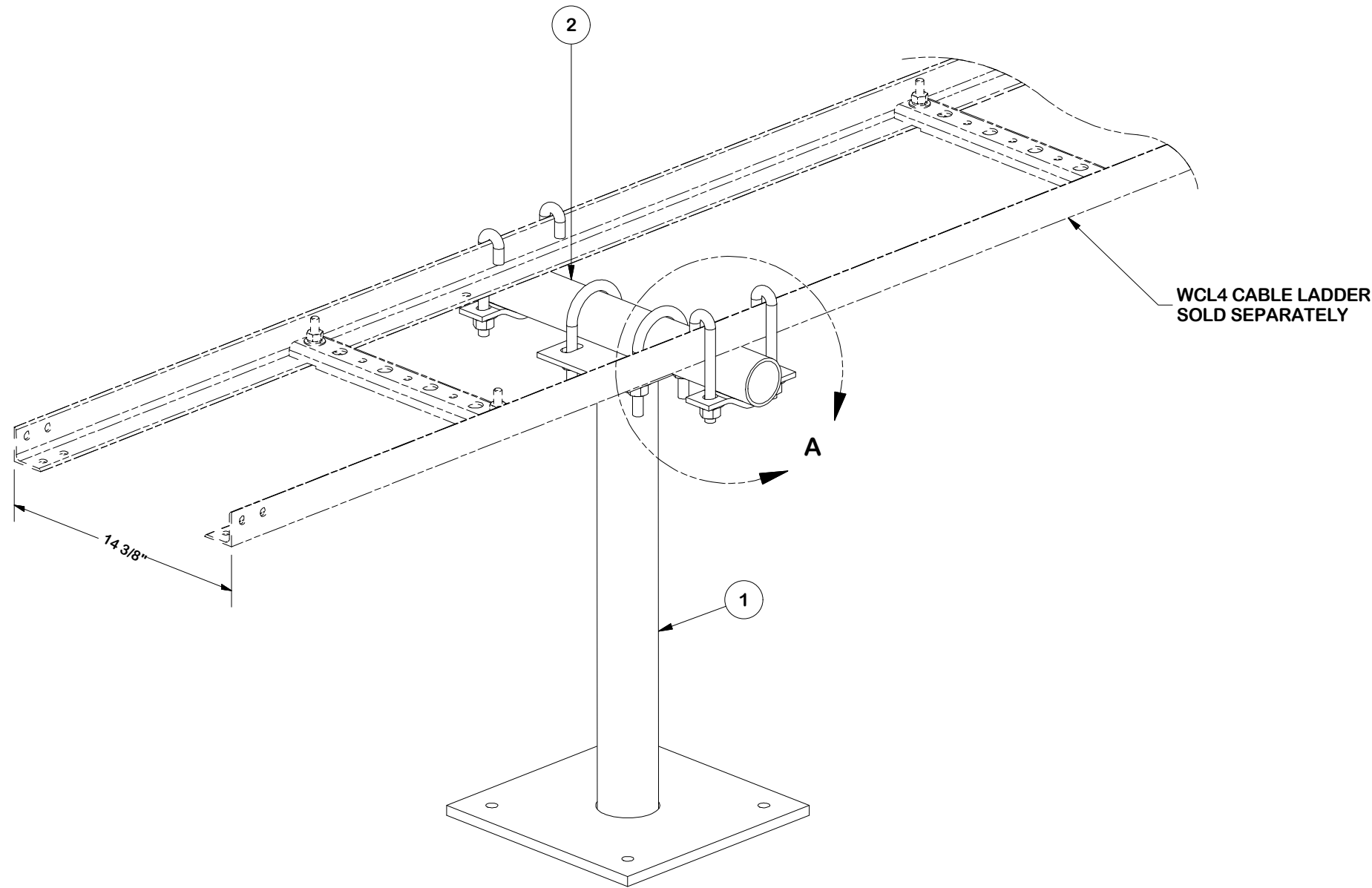


PARTS LIST						
ITEM	QTY	PART NO.	PART DESCRIPTION	LENGTH	UNIT WT.	NET WT.
1	1	X-TL	T-STAND WELDMNT		34.81	34.81
2	1	P218	2-3/8" X 18" SCH 40 GALVANIZED PIPE	18 in	5.82	5.82
3	2	ACP	4-1/16" CLAMP HALF, 1/4" THK.	5 3/4 in	0.65	1.31
4	2	X-UB1212	1/2" X 2-1/2" X 4-1/2" X 2" U-BOLT (HDG.)		0.63	1.25
5	4	X-JB1205	1/2" ROUND STOCK (A36)	5 1/2 in	0.42	1.69
6	8	G12FW	1/2" HDG USS FLATWASHER	3/32 in	0.03	0.27
7	8	G12LW	1/2" HDG LOCKWASHER	1/8 in	0.01	0.11
8	8	G12NUT	1/2" HDG HEAVY 2H HEX NUT		0.07	0.57
					TOTAL WT. #	45.83



**TOLERANCE NOTES**

TOLERANCES ON DIMENSIONS, UNLESS OTHERWISE NOTED ARE:  
 SAWED, SHEARED AND GAS CUT EDGES ( $\pm 0.030"$ )  
 DRILLED AND GAS CUT HOLES ( $\pm 0.030"$ ) - NO CONING OF HOLES  
 LASER CUT EDGES AND HOLES ( $\pm 0.010"$ ) - NO CONING OF HOLES  
 BENDS AND ANGLES ARE  $\pm 1/2$  DEGREE  
 ALL OTHER MACHINING ( $\pm 0.030"$ )  
 ALL OTHER ASSEMBLY ( $\pm 0.060"$ )

PROPRIETARY NOTE:  
 THE DATA AND TECHNIQUES CONTAINED IN THIS DRAWING ARE PROPRIETARY INFORMATION OF VALMONT INDUSTRIES AND CONSIDERED A TRADE SECRET. ANY USE OR DISCLOSURE WITHOUT THE CONSENT OF VALMONT INDUSTRIES IS STRICTLY PROHIBITED.

DESCRIPTION  
**ROOFTOP CABLE RUN T-STAND FOR 4 RUNS**

CPD NO.	DRAWN BY <b>CEK</b>	8/8/2019	ENG. APPROVAL
CLASS <b>81</b>	SUB <b>01</b>	DRAWING USAGE <b>CUSTOMER</b>	CHECKED BY <b>BMC</b>
			8/21/2019

**SITE PRO 1**  
 A valmont COMPANY

Engineering Support Team:  
 1-888-753-7446

Locations:  
 New York, NY  
 Atlanta, GA  
 Los Angeles, CA  
 Plymouth, IN  
 Salem, OR  
 Dallas, TX  
 Tampa, FL

PART NO.	<b>TL24-14</b>
DWG. NO.	<b>TL24-14</b>