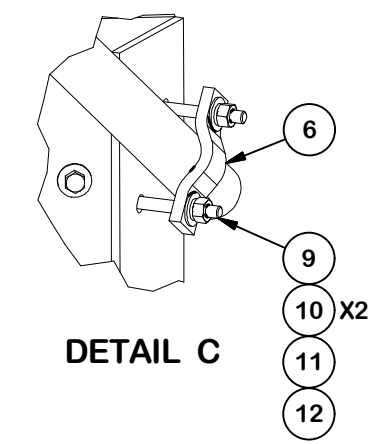
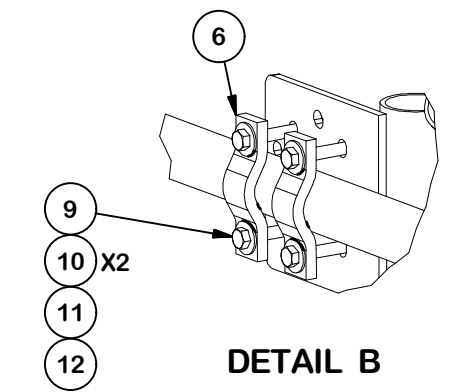
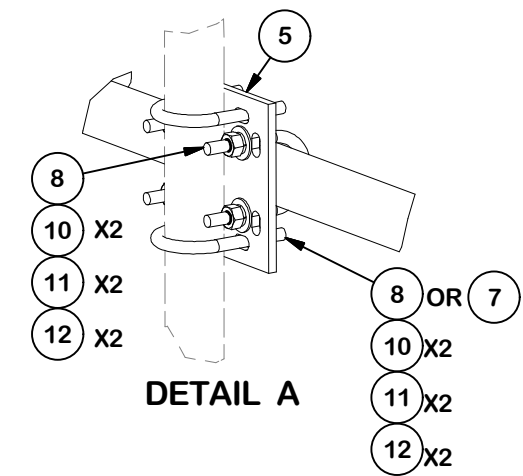


2-3/8" OR 2-7/8"  
ANTENNA MOUNTING PIPES  
SOLD SEPARATELY

PARTS LIST						
ITEM	QTY	PART NO.	PART DESCRIPTION	LENGTH	UNIT WT.	NET WT.
1	2	X-TP50	TALL BASE WELDMENT FOR TP1 ONE-SECTOR TRIPOD		89.24	178.48
2	1	X-TP25	SHORT BASE WELDMENT FOR TP1 ONE-SECTOR TRIPOD		42.71	42.71
3	2	P2150	2-3/8" O.D. X 150" SCH 40 GALVANIZED PIPE	150 in	45.77	91.54
4	2	P2120	2-3/8" x 120" (2" SCH. 40) GALAVANIZED PIPE	120 in	38.81	77.62
5	8	SCX2	CROSSOVER PLATE	7 in	4.80	38.37
6	14	SCP	CLAMP HALF, 1/2" x 5-3/4"		1.29	18.10
7	16	X-UB1300	1/2" X 3" X 5" X 2" U-BOLT (HDG.)		0.70	11.15
8	32	X-UB1212	1/2" X 2-1/2" X 4-1/2" X 2" U-BOLT (HDG.)		0.63	20.00
9	28	G1204	1/2" x 4" HDG HEX BOLT GR5 FULL THREAD	4 in	0.27	7.56
10	120	G12FW	1/2" HDG USS FLATWASHER	3/32 in	0.03	4.09
11	92	G12LW	1/2" HDG LOCKWASHER	1/8 in	0.01	1.28
12	92	G12NUT	1/2" HDG HEAVY 2H HEX NUT		0.07	6.59
					<b>TOTAL WT. #</b>	<b>497.49</b>



**TOLERANCE NOTES**

TOLERANCES ON DIMENSIONS, UNLESS OTHERWISE NOTED ARE:  
 SAWED, SHEARED AND GAS CUT EDGES ( $\pm 0.030"$ )  
 DRILLED AND GAS CUT HOLES ( $\pm 0.030"$ ) - NO CONING OF HOLES  
 LASER CUT EDGES AND HOLES ( $\pm 0.010"$ ) - NO CONING OF HOLES  
 BENDS AND ANGLES ARE  $\pm 1/2$  DEGREE  
 ALL OTHER MACHINING ( $\pm 0.030"$ )  
 ALL OTHER ASSEMBLY ( $\pm 0.060"$ )

PROPRIETARY NOTE:  
 THE DATA AND TECHNIQUES CONTAINED IN THIS DRAWING ARE PROPRIETARY INFORMATION OF VALMONT INDUSTRIES AND CONSIDERED A TRADE SECRET. ANY USE OR DISCLOSURE WITHOUT THE CONSENT OF VALMONT INDUSTRIES IS STRICTLY PROHIBITED.

DESCRIPTION  
**PENETRATING ROOFTOP MOUNT  
 WITH 12' 6" FACE**

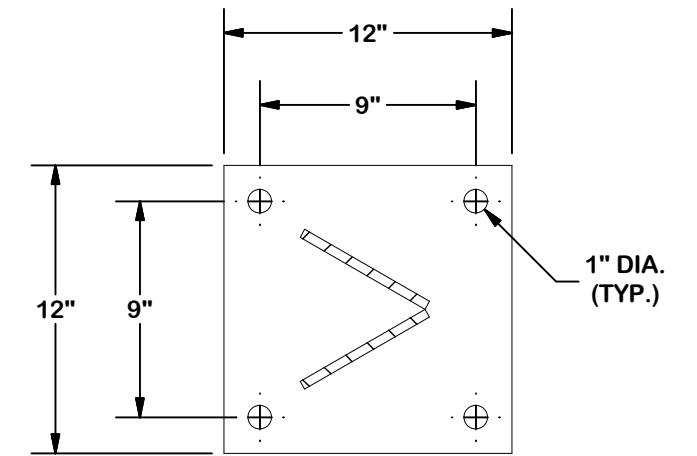
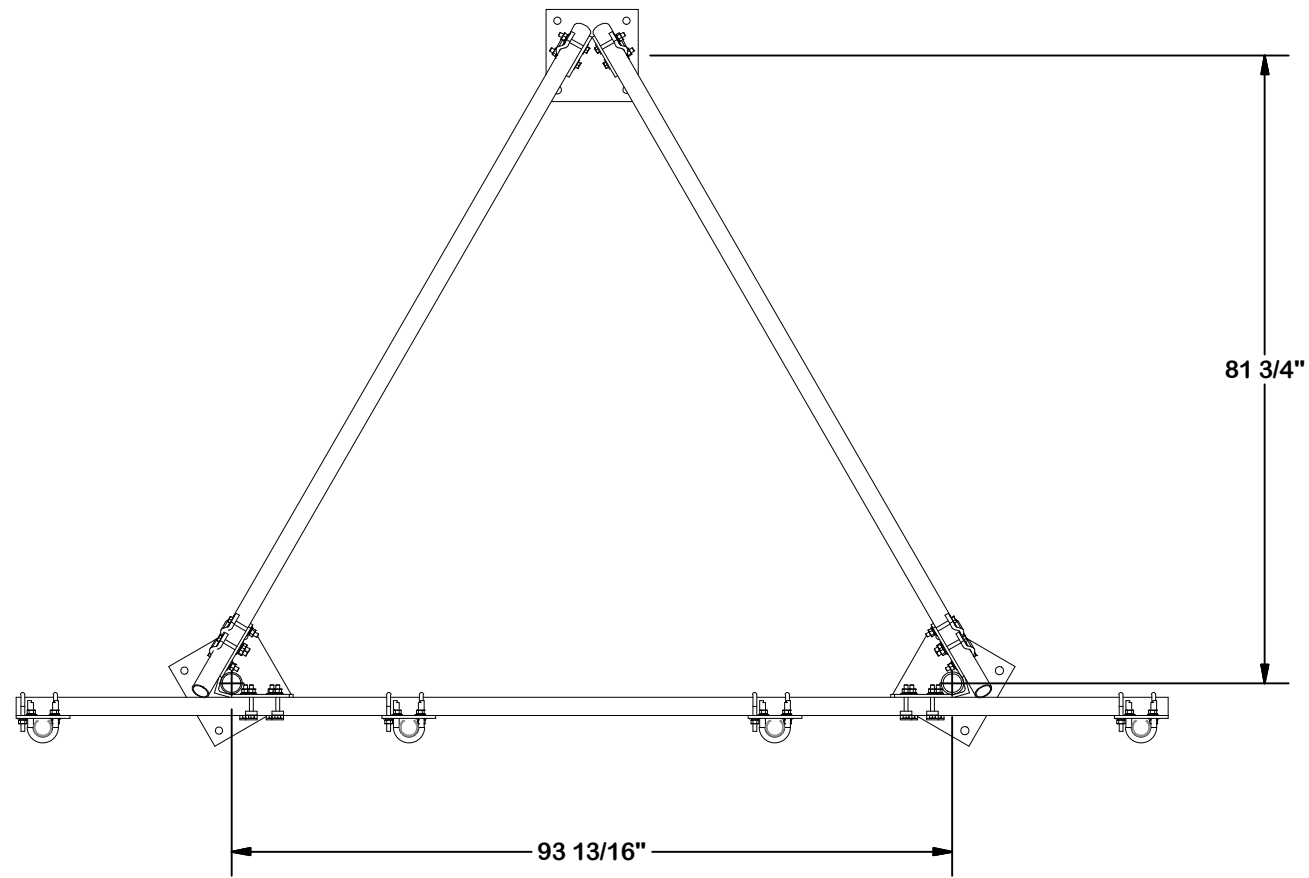
**SITE PRO 1**  
 Engineering Support Team:  
 1-888-753-7446

Locations:  
 New York, NY  
 Atlanta, GA  
 Los Angeles, CA  
 Plymouth, IN  
 Salem, OR  
 Dallas, TX  
 Tampa, FL

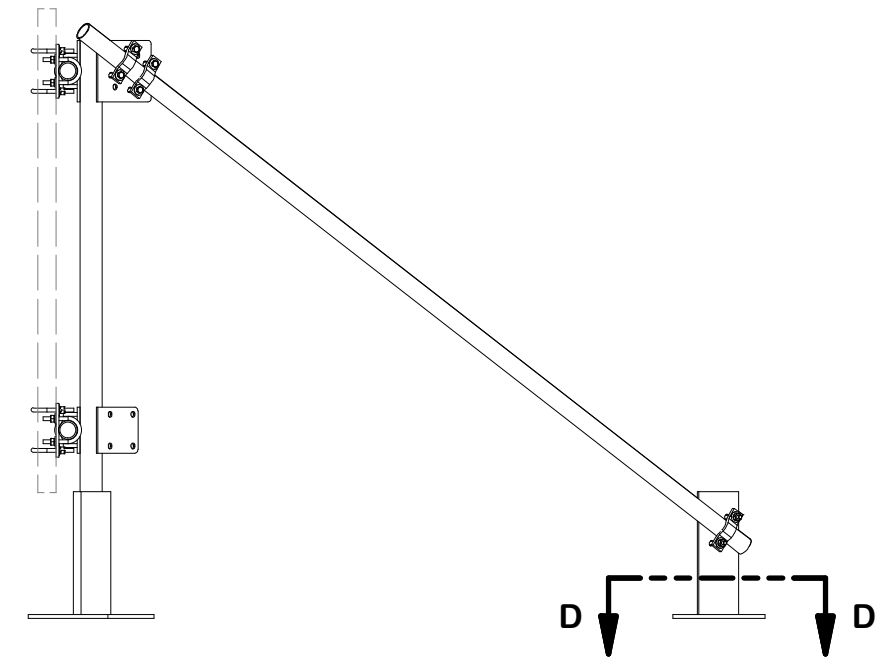
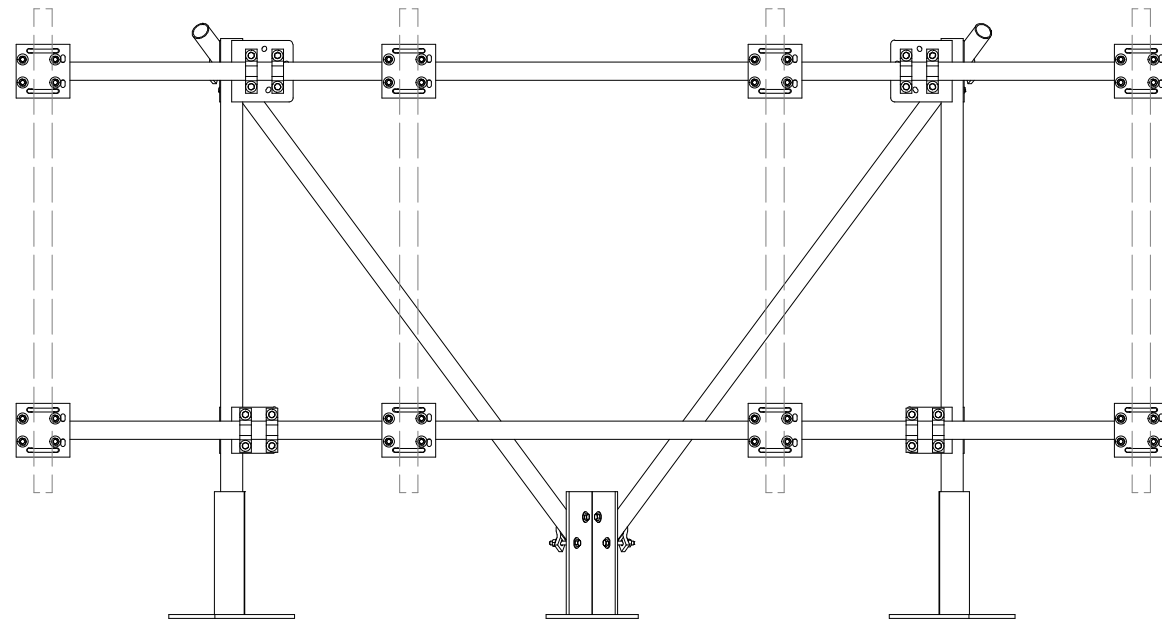
A valmont COMPANY

CPD NO.	DRAWN BY <b>CEK 8/11/2019</b>	ENG. APPROVAL
CLASS <b>81</b>	SUB <b>01</b>	DRAWING USAGE <b>CUSTOMER</b>
	CHECKED BY <b>BMC 8/21/2019</b>	

PART NO. <b>TP1-12</b>	DWG. NO. <b>TP1-12</b>



SECTION D-D



**TOLERANCE NOTES**

TOLERANCES ON DIMENSIONS, UNLESS OTHERWISE NOTED ARE:  
 SAWED, SHEARED AND GAS CUT EDGES ( $\pm 0.030"$ )  
 DRILLED AND GAS CUT HOLES ( $\pm 0.030"$ ) - NO CONING OF HOLES  
 LASER CUT EDGES AND HOLES ( $\pm 0.010"$ ) - NO CONING OF HOLES  
 BENDS AND ANGLES ARE  $\pm 1/2$  DEGREE  
 ALL OTHER MACHINING ( $\pm 0.030"$ )  
 ALL OTHER ASSEMBLY ( $\pm 0.060"$ )

PROPRIETARY NOTE:  
 THE DATA AND TECHNIQUES CONTAINED IN THIS DRAWING ARE PROPRIETARY INFORMATION OF VALMONT INDUSTRIES AND CONSIDERED A TRADE SECRET. ANY USE OR DISCLOSURE WITHOUT THE CONSENT OF VALMONT INDUSTRIES IS STRICTLY PROHIBITED.

DESCRIPTION  
**PENETRATING ROOFTOP MOUNT  
 WITH 12' 6" FACE**

CPD NO.	DRAWN BY <b>CEK 8/11/2019</b>	ENG. APPROVAL
CLASS <b>81</b>	SUB <b>01</b>	DRAWING USAGE <b>CUSTOMER</b>
	CHECKED BY <b>BMC 8/21/2019</b>	

**SITE PRO 1**  
 A valmont COMPANY

Engineering Support Team:  
 1-888-753-7446

Locations:  
 New York, NY  
 Atlanta, GA  
 Los Angeles, CA  
 Plymouth, IN  
 Salem, OR  
 Dallas, TX  
 Tampa, FL

PART NO. <b>TP1-12</b>	PAGE <b>2 OF 2</b>
DWG. NO. <b>TP1-12</b>	