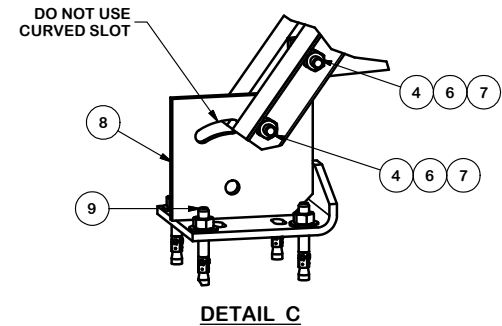
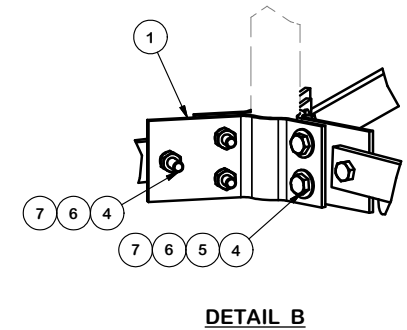
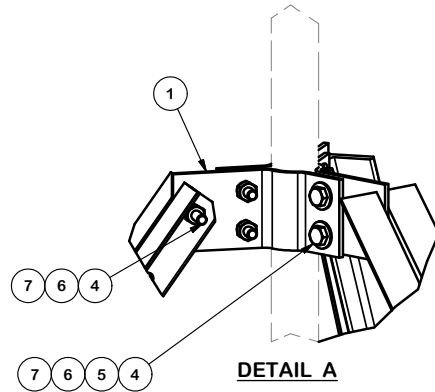
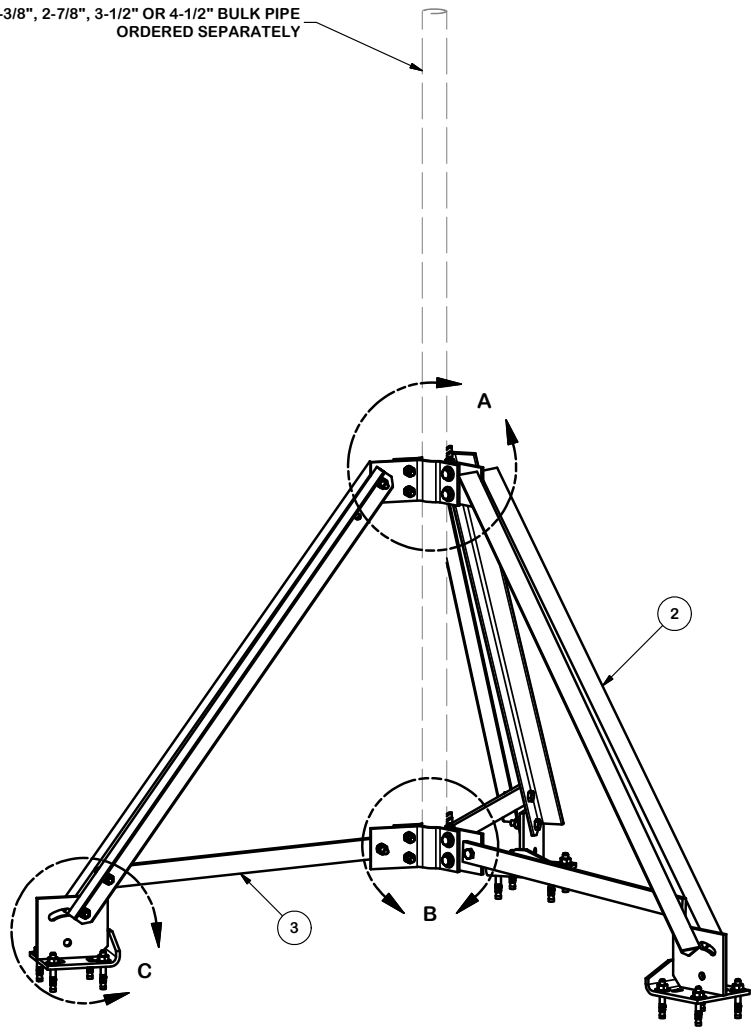


2-3/8", 2-7/8", 3-1/2" OR 4-1/2" BULK PIPE
ORDERED SEPARATELY



PARTS LIST						
ITEM	QTY	PART NO.	PART DESCRIPTION	LENGTH	UNIT WT.	NET WT.
1	6	X-232691	FORMED PLATE PIPE CLAMP - SITE PRO 1		2.74	16.46
2	6	X-232697	TRPD-HD DIAGONAL ANGLE - SITR PRO 1	52 1/2 in	14.21	85.27
3	3	X-232698	TRPD-HD SUPPORT PLATE - SITE PRO 1		8.72	26.16
4	24	G12212	1/2" x 2-1/2" HDG HEX BOLT GR5	2 1/2 in	0.20	4.89
4	12	G1204	1/2" x 4" HDG HEX BOLT GR5 FULL THREAD	4 in	0.27	3.24
5	12	G12FW	1/2" HDG USS FLATWASHER		0.03	0.41
6	24	G12LW	1/2" HDG LOCKWASHER		0.01	0.33
7	24	G12NUT	1/2" HDG HEAVY 2H HEX NUT		0.07	1.72
8	3	X-ATB	PIPE ATTACHMENT BRACKET		10.68	32.05
9	12	SWA123	1/2" X 3-3/4" STAINLESS WEDGE ANCHOR		0.30	3.61
TOTAL WT. #						174.14

TOLERANCE NOTES

TOLERANCES ON DIMENSIONS, UNLESS OTHERWISE NOTED ARE:
 SAWED, SHEARED AND GAS CUT EDGES ($\pm 0.030"$)
 DRILLED AND GAS CUT HOLES ($\pm 0.030"$) - NO CONING OF HOLES
 LASER CUT EDGES AND HOLES ($\pm 0.010"$) - NO CONING OF HOLES
 BENDS ARE $\pm 1/2$ DEGREE
 ALL OTHER MACHINING ($\pm 0.030"$)
 ALL OTHER ASSEMBLY ($\pm 0.060"$)

PROPRIETARY NOTE:
 THE DATA AND TECHNIQUES CONTAINED IN THIS DRAWING ARE PROPRIETARY INFORMATION OF VALMONT INDUSTRIES AND CONSIDERED A TRADE SECRET. ANY USE OR DISCLOSURE WITHOUT THE CONSENT OF VALMONT INDUSTRIES IS STRICTLY PROHIBITED.

DESCRIPTION	
PENETRATING TRIPOD	

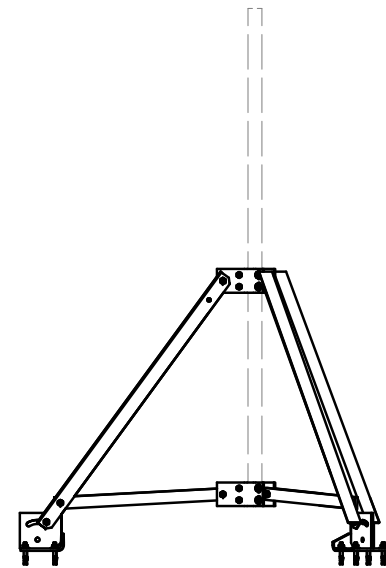
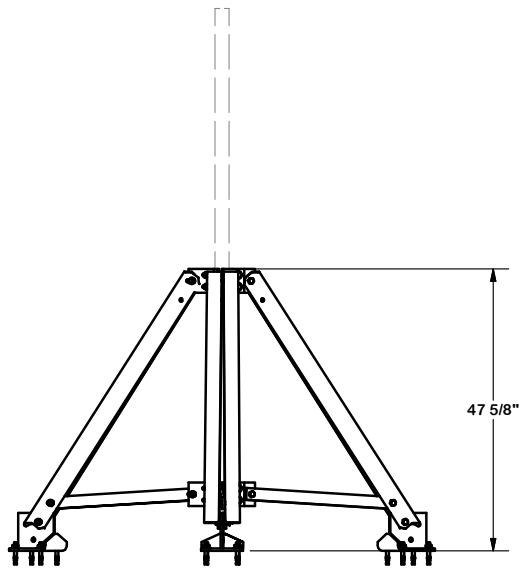
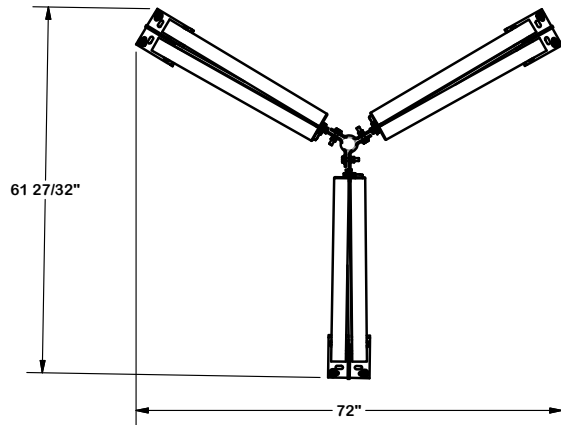
CPD NO.	DRAWN BY CEK	ENG. APPROVAL
CLASS 81	SUB 02	DRAWING USAGE CUSTOMER
	CHECKED BY BMC	2/4/2013

A valmont COMPANY

Locations:
 New York, NY
 Atlanta, GA
 Los Angeles, CA
 Plymouth, IN
 Salem, OR
 Dallas, TX

Engineering Support Team:
 1-888-753-7446

PART NO.	TRPD-HD-PEN	PAGE 1 OF 2
DWG. NO.	TRPD-HD-PEN	



TOLERANCE NOTES

TOLERANCES ON DIMENSIONS, UNLESS OTHERWISE NOTED ARE:
 SAWED, SHEARED AND GAS CUT EDGES ($\pm 0.030"$)
 DRILLED AND GAS CUT HOLES ($\pm 0.030"$) - NO CONING OF HOLES
 LASER CUT EDGES AND HOLES ($\pm 0.010"$) - NO CONING OF HOLES
 BENDS ARE $\pm 1/2$ DEGREE
 ALL OTHER MACHINING ($\pm 0.030"$)
 ALL OTHER ASSEMBLY ($\pm 0.060"$)

PROPRIETARY NOTE:
 THE DATA AND TECHNIQUES CONTAINED IN THIS DRAWING ARE PROPRIETARY INFORMATION OF VALMONT INDUSTRIES AND CONSIDERED A TRADE SECRET. ANY USE OR DISCLOSURE WITHOUT THE CONSENT OF VALMONT INDUSTRIES IS STRICTLY PROHIBITED.

DESCRIPTION
 PENETRATING
 TRIPOD

CPD NO.	DRAWN BY CEK	2/4/2013	ENG. APPROVAL
CLASS 81	SUB 02	DRAWING USAGE CUSTOMER	CHECKED BY BMC
			2/4/2013

SITE PRO 1
 A valmont COMPANY

Engineering Support Team:
 1-888-753-7446

Locations:
 New York, NY
 Atlanta, GA
 Los Angeles, CA
 Plymouth, IN
 Salem, OR
 Dallas, TX

PART NO.	TRPD-HD-PEN	PAGE	2 OF 2
DWG. NO.	TRPD-HD-PEN		