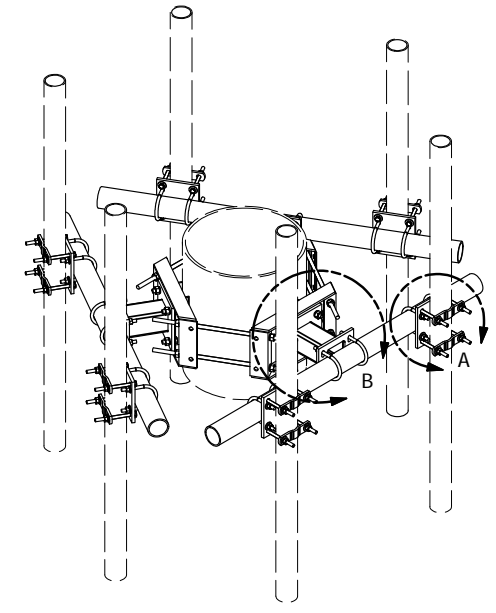
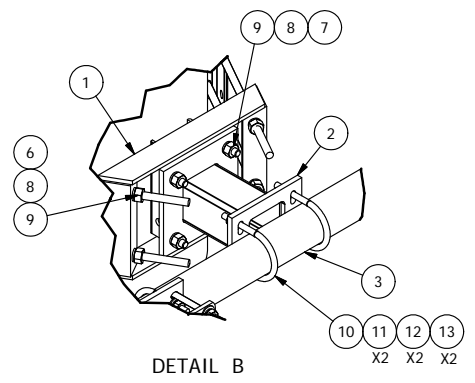
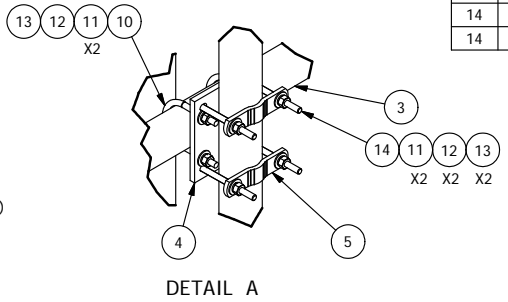
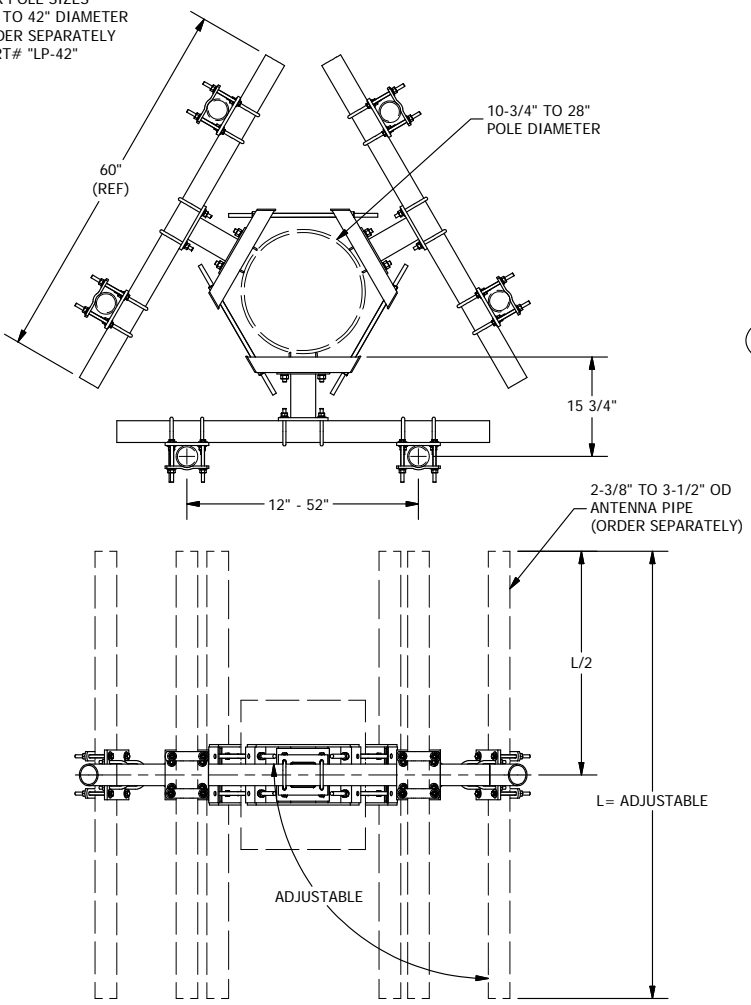


NOTE:  
FOR POLE SIZES  
28" TO 42" DIAMETER  
ORDER SEPARATELY  
PART# "LP-42"



PARTS LIST						
ITEM	QTY	PART NO.	PART DESCRIPTION	LENGTH	UNIT WT.	NET WT.
1	3	X-UGLM	MINI RING MOUNT WELDMENT		21.67	65.00
2	3	X-WWM01	8" STAND-OFF ARM / WALL MOUNT		18.12	54.37
3	3	P360	3-1/2" X 60" (3" SCH 40) GALVANIZED PIPE	60 in	37.97	113.90
4	6	SCX7	CROSSOVER PLATE	8 in	7.55	45.29
5	12	X-115765	5" V-CLAMP	7 1/16 in	1.03	12.31
6	6	G58R-14	5/8" x 14" THREADED ROD (HDG.)	14 in	0.40	2.39
6	6	G58R-24	5/8" x 24" THREADED ROD (HDG.)	24 in	0.40	2.39
7	12	G5802	5/8" x 2" HDG HEX BOLT GR5	2 in	0.27	3.24
8	24	G58LW	5/8" HDG LOCKWASHER		0.03	0.63
9	24	G58NUT	5/8" HDG HEAVY 2H HEX NUT		0.13	3.12
10	18	X-UB1358	1/2" X 3-5/8" x 5-1/2" X 3" U-BOLT	5 1/2 in	0.77	13.90
11	84	G12FW	1/2" HDG USS FLATWASHER	3/32 in	0.03	2.86
12	60	G12LW	1/2" HDG LOCKWASHER	1/8 in	0.01	0.83
13	60	G12NUT	1/2" HDG HEAVY 2H HEX NUT		0.07	4.30
14	24	G12065	1/2" x 6-1/2" HDG HEX BOLT GR5 FULL THREAD	6 1/2 in	0.41	9.83
14	24	G12045	1/2" x 4.5" HDG HEX BOLT GR5 FULL THREAD	4 1/2 in	0.30	7.15
					TOTAL WT. #	356.53

**TOLERANCE NOTES**

TOLERANCES ON DIMENSIONS, UNLESS OTHERWISE NOTED ARE:  
 SAWED, SHEARED AND GAS CUT EDGES ( $\pm 0.030"$ )  
 DRILLED AND GAS CUT HOLES ( $\pm 0.030"$ ) - NO CONING OF HOLES  
 LASER CUT EDGES AND HOLES ( $\pm 0.010"$ ) - NO CONING OF HOLES  
 BENDS ARE  $\pm 1/2$  DEGREE  
 ALL OTHER MACHINING ( $\pm 0.030"$ )  
 ALL OTHER ASSEMBLY ( $\pm 0.060"$ )

PROPRIETARY NOTE:  
 THE DATA AND TECHNIQUES CONTAINED IN THIS DRAWING ARE PROPRIETARY INFORMATION OF VALMONT INDUSTRIES AND CONSIDERED A TRADE SECRET. ANY USE OR DISCLOSURE WITHOUT THE CONSENT OF VALMONT INDUSTRIES IS STRICTLY PROHIBITED.

DESCRIPTION  
**DUAL ANTENNA POLE MOUNT ASSEMBLY**  
 15-3/4" STANDOFF  
 10-3/4" TO 28" MONOPOLE DIAMETER

CPD NO.	DRAWN BY	ENG. APPROVAL
	BMC 1/24/2011	
CLASS	SUB	DRAWING USAGE
81	01	CUSTOMER
		CHECKED BY
		CEK 8/27/2012

**SITE PRO 1**  
 A valmont COMMUNITY

Locations:  
 New York, NY  
 Atlanta, GA  
 Los Angeles, CA  
 Plymouth, IN  
 Salem, OR  
 Dallas, TX

Engineering Support Team:  
 1-888-753-7446

PART NO.	UDS-NP
DWG. NO.	UDS-NP

A	REDRAWN IN INV.	KC8	8/27/2012
REV	DESCRIPTION OF REVISIONS	CPD	BY DATE
	REVISION HISTORY		