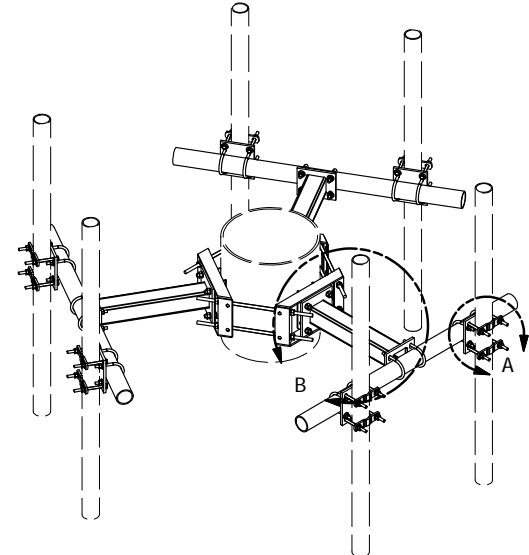
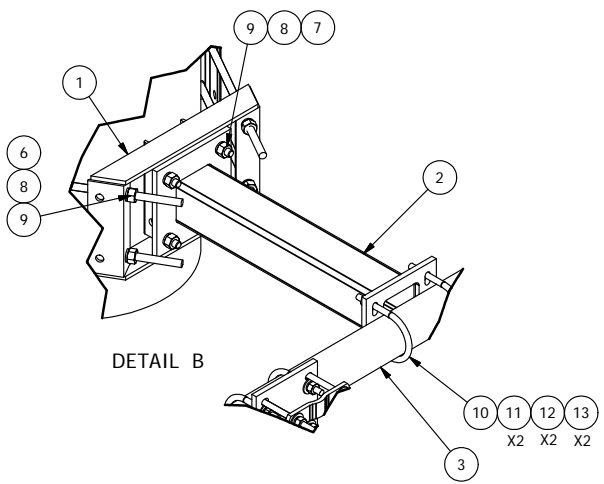
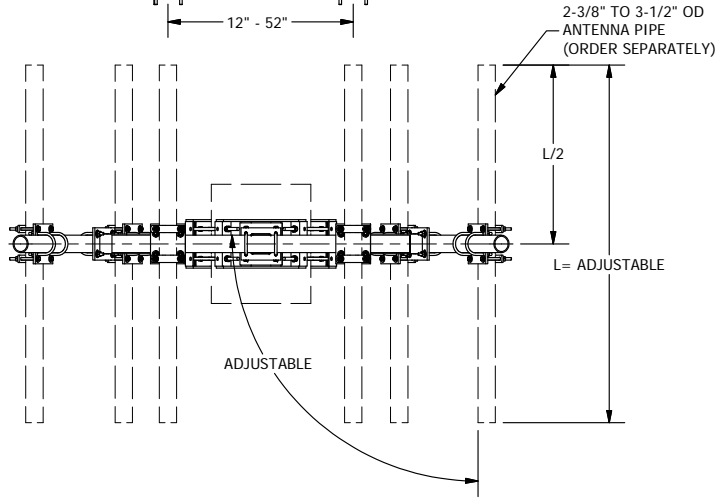
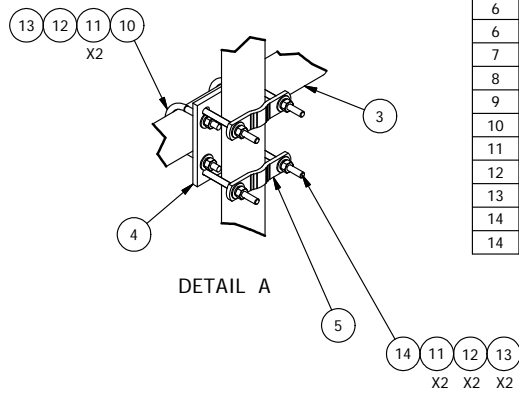
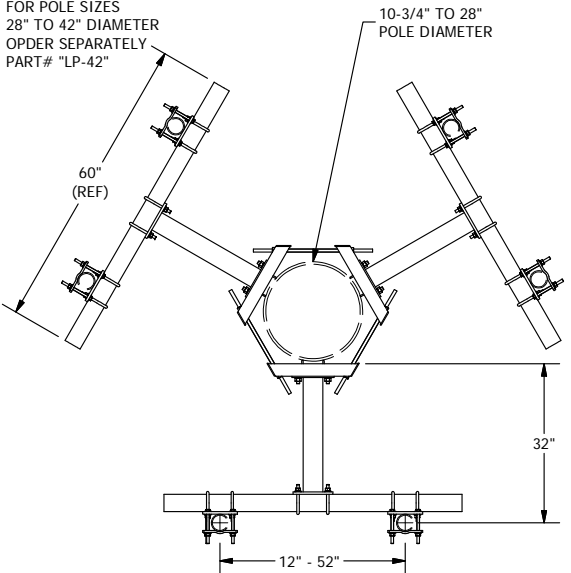


NOTE:
FOR POLE SIZES
28" TO 42" DIAMETER
ORDER SEPARATELY
PART# "LP-42"



PARTS LIST						
ITEM	QTY	PART NO.	PART DESCRIPTION	LENGTH	UNIT WT.	NET WT.
1	3	X-UGLM	MINI RING MOUNT WELDMENT		21.67	65.00
2	3	X-WWM02	2' STAND-OFF ARM / WALL MOUNT		30.70	92.11
3	3	P360	3-1/2" X 60" SCH 40 GALVANIZED PIPE	60 in	37.97	113.90
4	6	SCX7	CROSSOVER PLATE	8 in	7.55	45.29
5	12	X-115765	5" V-CLAMP		1.02	12.22
6	6	G58R-14	5/8" x 14" THREADED ROD (HDG.)	14 in	1.22	7.32
6	6	G58R-24	5/8" x 24" THREADED ROD (HDG.)	24 in	2.09	12.54
7	12	G5802	5/8" x 2" HDG HEX BOLT GR5	2 in	0.27	3.26
8	24	G58LW	5/8" HDG LOCKWASHER		0.03	0.63
9	24	G58NUT	5/8" HDG HEAVY 2H HEX NUT		0.13	3.12
10	18	X-UB1358	1/2" X 3-5/8" x 5-1/2" X 3" U-BOLT	5 1/2 in	0.77	13.90
11	84	G12FW	1/2" HDG USS FLATWASHER		0.03	2.86
12	60	G12LW	1/2" HDG LOCKWASHER		0.01	0.83
13	60	G12NUT	1/2" HDG HEAVY 2H HEX NUT		0.07	4.30
14	24	G12065	1/2" x 6-1/2" HDG HEX BOLT GR5 FULL THREAD	6 1/2 in	0.41	9.83
14	24	G12045	1/2" x 4.5" HDG HEX BOLT GR5 FULL THREAD	4 1/2 in	0.30	7.15
					TOTAL WT. #	393.45

TOLERANCE NOTES

TOLERANCES ON DIMENSIONS, UNLESS OTHERWISE NOTED ARE:
 SAWED, SHEARED AND GAS CUT EDGES ($\pm 0.030"$)
 DRILLED AND GAS CUT HOLES ($\pm 0.030"$) - NO CONING OF HOLES
 LASER CUT EDGES AND HOLES ($\pm 0.010"$) - NO CONING OF HOLES
 BENDS ARE $\pm 1/2$ DEGREE
 ALL OTHER MACHINING ($\pm 0.030"$)
 ALL OTHER ASSEMBLY ($\pm 0.060"$)

PROPRIETARY NOTE:
 THE DATA AND TECHNIQUES CONTAINED IN THIS DRAWING ARE PROPRIETARY INFORMATION OF VALMONT INDUSTRIES AND CONSIDERED A TRADE SECRET. ANY USE OR DISCLOSURE WITHOUT THE CONSENT OF VALMONT INDUSTRIES IS STRICTLY PROHIBITED.

DESCRIPTION
DUAL ANTENNA POLE MOUNT ASSEMBLY
32" STANDOFF
10-3/4" TO 28" MONOPOLE DIAMETER

SITE PRO 1
 Engineering Support Team:
 1-888-753-7446

Locations:
 New York, NY
 Atlanta, GA
 Los Angeles, CA
 Plymouth, IN
 Salem, OR
 Dallas, TX

CPD NO.	DRAWN BY	ENG. APPROVAL
	BMC 1/24/2011	
CLASS	DRAWING USAGE	CHECKED BY
81	CUSTOMER	CEK 8/27/2012

PART NO.	UDS-NPL
DWG. NO.	UDS-NPL

A	REDRAWN IN INV.	KC8	8/27/2012
REV	DESCRIPTION OF REVISIONS	CPD	BY DATE
REVISION HISTORY			