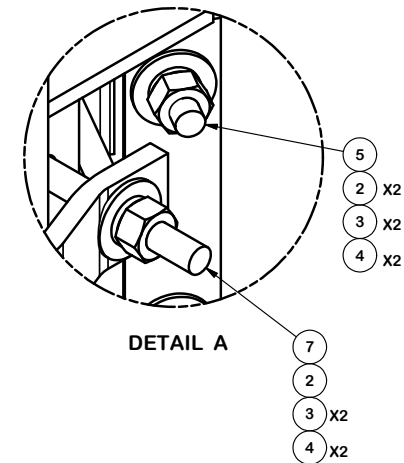


PARTS LIST						
ITEM	QTY	PART NO.	PART DESCRIPTION	LENGTH	UNIT WT.	NET WT.
1	3	X-UGLM	MINI RING MOUNT WELDMENT		21.67	65.00
2	24	G58FW	5/8" HDG USS FLATWASHER		0.07	1.69
3	36	G58LW	5/8" HDG LOCKWASHER		0.03	0.94
4	36	G58NUT	5/8" HDG HEAVY 2H HEX NUT		0.13	4.67
5	6	G58R-24	5/8" x 24" THREADED ROD (HDG.)		2.09	12.54
5	6	G58R-14	5/8" x 14" THREADED ROD (HDG.)		1.22	7.32
6	6	DCP	5-3/4" CLAMP HALF, 1/2" THK.		2.42	14.52
7	12	G58R-6	5/8" x 6" THREADED ROD (HDG.)		0.52	6.27
					TOTAL WT. #	112.95



TOLERANCE NOTES

TOLERANCES ON DIMENSIONS, UNLESS OTHERWISE NOTED ARE:
 SAWED, SHEARED AND GAS CUT EDGES ($\pm 0.030"$)
 DRILLED AND GAS CUT HOLES ($\pm 0.030"$) - NO CONING OF HOLES
 LASER CUT EDGES AND HOLES ($\pm 0.010"$) - NO CONING OF HOLES
 BENDS ARE $\pm 1/2$ DEGREE
 ALL OTHER MACHINING ($\pm 0.030"$)
 ALL OTHER ASSEMBLY ($\pm 0.060"$)

PROPRIETARY NOTE:
 THE DATA AND TECHNIQUES CONTAINED IN THIS DRAWING ARE PROPRIETARY INFORMATION OF VALMONT INDUSTRIES AND CONSIDERED A TRADE SECRET. ANY USE OR DISCLOSURE WITHOUT THE CONSENT OF VALMONT INDUSTRIES IS STRICTLY PROHIBITED.

DESCRIPTION
 LIGHTWEIGHT RING MOUNT
 AND 5-3/4" V-CLAMP

CPD NO.	DRAWN BY	ENG. APPROVAL
CLASS	DRAWING USAGE	CHECKED BY
81	02	SHOP
		BMC 2/27/2013

SITE PRO 1
 A valmont COMPANY

Locations:
 New York, NY
 Atlanta, GA
 Los Angeles, CA
 Plymouth, IN
 Salem, OR
 Dallas, TX

Engineering Support Team:
 1-888-753-7446

PART NO.	UGLM-DCP
DWG. NO.	UGLM-DCP