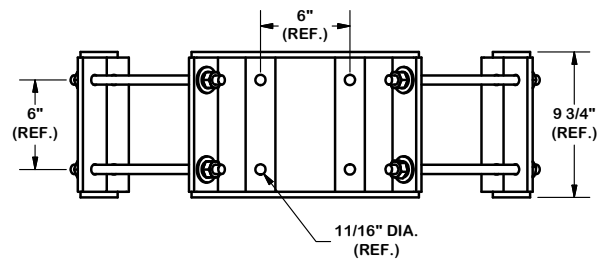
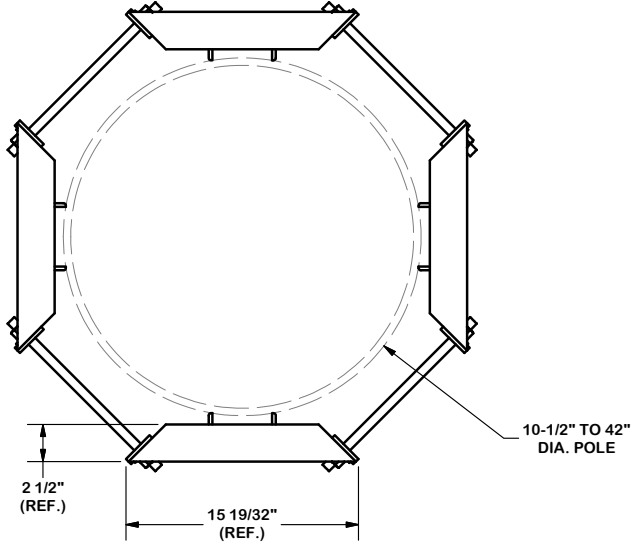
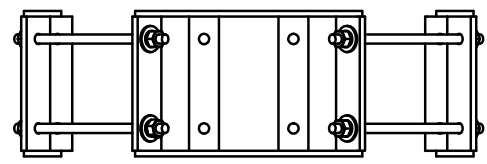
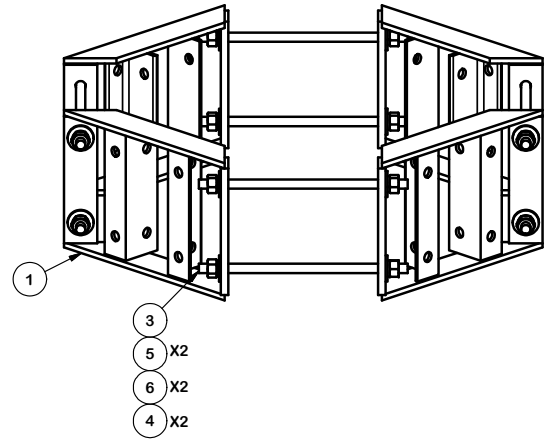


NOTE:
 FOR POLE SIZES
 6-3/8" TO 10-1/2" DIAMETER
 ORDER SEPARATELY
 PART # "QP-6"



PARTS LIST						
ITEM	QTY	PART NO.	PART DESCRIPTION	LENGTH	UNIT WT.	NET WT.
1	4	X-UGLM4	MINI QUAD MOUNT WELDMENT		19.33	77.32
2	8	G58R-30	5/8" x 30" THREADED ROD (HDG.)		2.61	20.91
3	8	G58R-14	5/8" x 14" THREADED ROD (HDG.)		1.22	9.76
4	16	G58FW	5/8" HDG USS FLATWASHER	1/8 in	0.07	1.13
5	16	G58LW	5/8" HDG LOCKWASHER		0.03	0.42
6	16	G58NUT	5/8" HDG HEAVY 2H HEX NUT		0.13	2.08
					TOTAL WT. #	110.48



TOLERANCE NOTES
 TOLERANCES ON DIMENSIONS, UNLESS OTHERWISE NOTED ARE:
 SAWED, SHEARED AND GAS CUT EDGES ($\pm 0.030"$)
 DRILLED AND GAS CUT HOLES ($\pm 0.030"$) - NO CONING OF HOLES
 LASER CUT EDGES AND HOLES ($\pm 0.010"$) - NO CONING OF HOLES
 BENDS ARE $\pm 1/2$ DEGREE
 ALL OTHER MACHINING ($\pm 0.030"$)
 ALL OTHER ASSEMBLY ($\pm 0.060"$)

PROPRIETARY NOTE:
 THE DATA AND TECHNIQUES CONTAINED IN THIS DRAWING ARE PROPRIETARY INFORMATION OF VALMONT INDUSTRIES AND CONSIDERED A TRADE SECRET. ANY USE OR DISCLOSURE WITHOUT THE CONSENT OF VALMONT INDUSTRIES IS STRICTLY PROHIBITED.

DESCRIPTION		MINI QUAD RING MOUNT ASSEMBLY	
CPD NO.	DRAWN BY	ENG. APPROVAL	
	CEK 5/10/2017		
CLASS	SUB	DRAWING USAGE	CHECKED BY
81	01	CUSTOMER	BMC 6/12/2017

 A valmont COMPANY	Locations: New York, NY Atlanta, GA Los Angeles, CA Plymouth, IN Salem, OR Dallas, TX		
	Engineering Support Team: 1-888-753-7446		
PART NO.	UGLM4	PAGE	1 OF 1
DWG. NO.	UGLM4		