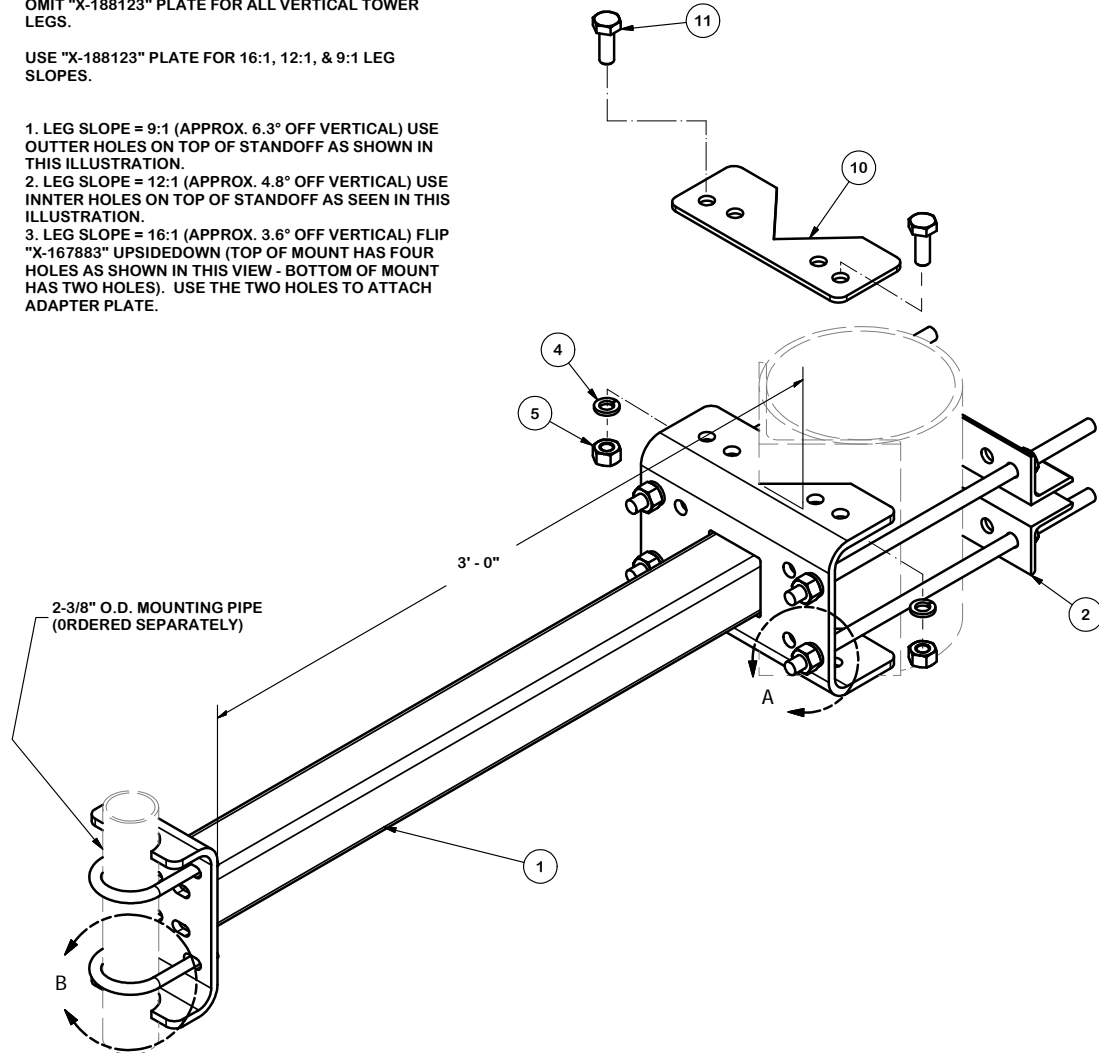


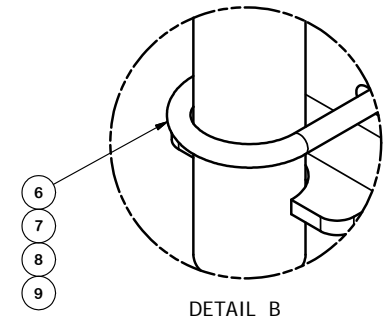
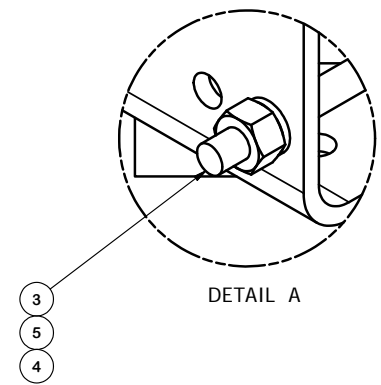
OMIT "X-188123" PLATE FOR ALL VERTICAL TOWER LEGS.

USE "X-188123" PLATE FOR 16:1, 12:1, & 9:1 LEG SLOPES.

1. LEG SLOPE = 9:1 (APPROX. 6.3° OFF VERTICAL) USE OUTER HOLES ON TOP OF STANDOFF AS SHOWN IN THIS ILLUSTRATION.
2. LEG SLOPE = 12:1 (APPROX. 4.8° OFF VERTICAL) USE INNER HOLES ON TOP OF STANDOFF AS SEEN IN THIS ILLUSTRATION.
3. LEG SLOPE = 16:1 (APPROX. 3.6° OFF VERTICAL) FLIP "X-167883" UPSIDEDOWN (TOP OF MOUNT HAS FOUR HOLES AS SHOWN IN THIS VIEW - BOTTOM OF MOUNT HAS TWO HOLES). USE THE TWO HOLES TO ATTACH ADAPTER PLATE.



PARTS LIST						
ITEM	QTY	PART NO.	PART DESCRIPTION	LENGTH	UNIT WT.	NET WT.
1	1	X-167883	SQUARE TUBE WELDMENT		39.72	39.72
2	2	X-113526	BACKING ANGLE	11 3/4 in	3.89	7.79
3	4	G58R-18	5/8" x 18" THREADED ROD (HDG.)		0.35	1.41
4	10	G58LW	5/8" HDG LOCKWASHER		0.03	0.26
5	10	G58NUT	5/8" HDG HEAVY 2H HEX NUT		0.13	1.30
6	2	X-UB1212	1/2" X 2-1/2" X 4-1/2" X 2" U-BOLT (HDG.)		0.63	1.25
7	4	G12FW	1/2" HDG USS FLATWASHER		0.03	0.14
8	4	G12LW	1/2" HDG LOCKWASHER		0.01	0.06
9	4	G12NUT	1/2" HDG HEAVY 2H HEX NUT		0.07	0.29
10	1	X-188123	ADAPTER PLATE #3 (MICRO #35-113994)	4 in	2.29	2.29
11	2	G58134	5/8" x 1-3/4" HDG BOLT	1 3/4 in	0.27	0.54
					TOTAL WT. #	59.89



NOTE:  
THIS STANDOFF FITS THE FOLLOWING:

- 1-3/4" THRU 8-5/8" O.D. PIPE LEGS.
- 2-1/2" THRU 6" ANGLE ;EG TOWERS
- VERTICAL, 16:1, 12:1, & 9:1 LEG SLOPE

**TOLERANCE NOTES**  
**TOLERANCES ON DIMENSIONS, UNLESS OTHERWISE NOTED ARE:**  
**SAWED, SHEARED AND GAS CUT EDGES ( $\pm 0.030"$ )**  
**DRILLED AND GAS CUT HOLES ( $\pm 0.030"$ ) - NO CONING OF HOLES**  
**LASER CUT EDGES AND HOLES ( $\pm 0.010"$ ) - NO CONING OF HOLES**  
**BENDS ARE  $\pm 1/2$  DEGREE**  
**ALL OTHER MACHINING ( $\pm 0.030"$ )**  
**ALL OTHER ASSEMBLY ( $\pm 0.060"$ )**

PROPRIETARY NOTE:  
THE DATA AND TECHNIQUES CONTAINED IN THIS DRAWING ARE PROPRIETARY INFORMATION OF VALMONT INDUSTRIES AND CONSIDERED A TRADE SECRET. ANY USE OR DISCLOSURE WITHOUT THE CONSENT OF VALMONT INDUSTRIES IS STRICTLY PROHIBITED.

DESCRIPTION		3' SIDE ARM MOUNT	
CPD NO.	DRAWN BY	ENG. APPROVAL	
5092	CEK 3/29/2011		
CLASS	SUB	DRAWING USAGE	CHECKED BY
81	01	CUSTOMER	BMC 9/16/2011

 A valmont COMPANY	Locations: New York, NY Atlanta, GA Los Angeles, CA Plymouth, IN Salem, OR Dallas, TX
	Engineering Support Team: 1-888-753-7446
PART NO.	USA3
DWG. NO.	USA3