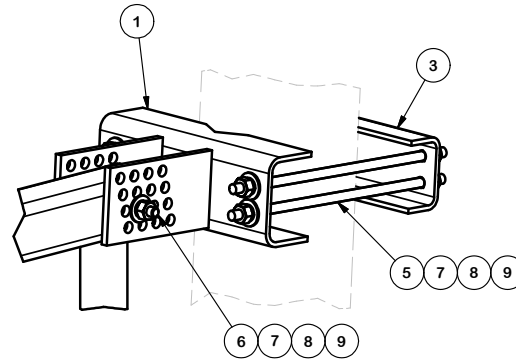
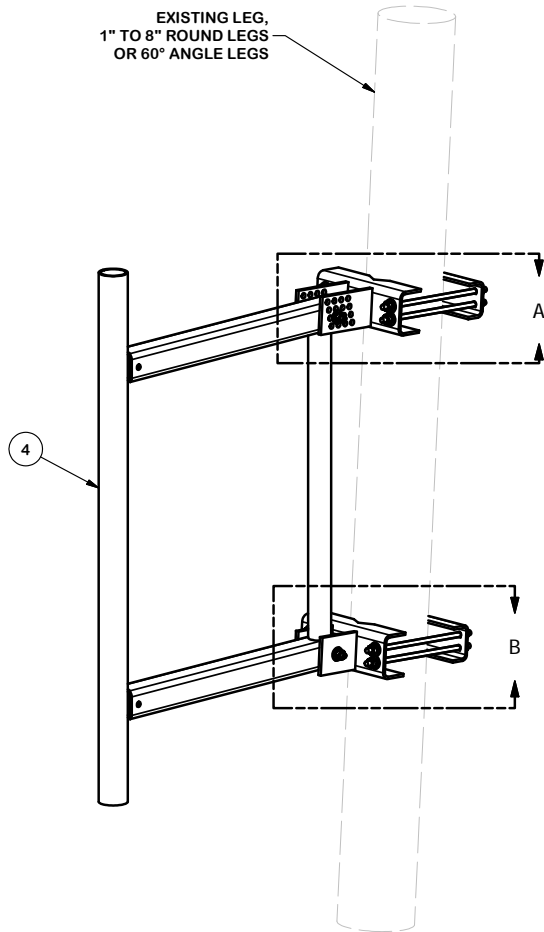
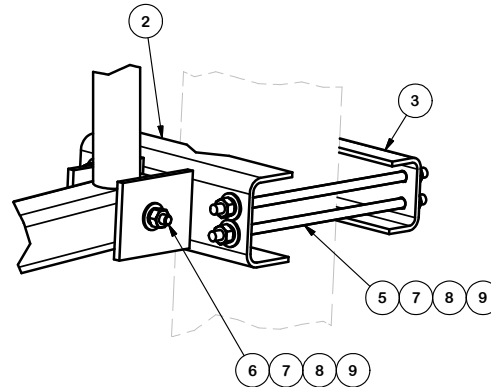


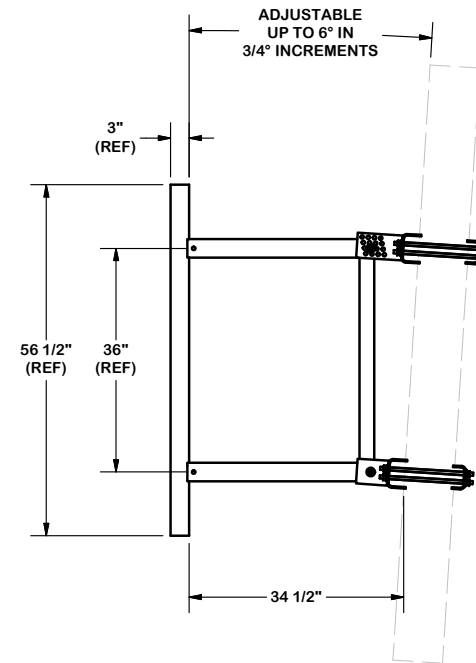
EXISTING LEG,
1" TO 8" ROUND LEGS
OR 60° ANGLE LEGS



DETAIL A



DETAIL B



PARTS LIST

ITEM	QTY	PART NO.	PART DESCRIPTION	LENGTH	UNIT WT.	NET WT.
1	1	CFM	UPPER GATE FOOT WELDMENT		13.90	13.90
2	1	CFS	LOWER GATE FOOT WELDMENT		12.72	12.72
3	2	GBB	GATE BACKING BAR		4.53	9.06
4	1	3PBG	36" PIPE MOUNT STANDOFF ARM		95.43	95.43
5	8	G12R-12	1/2" x 12" GALV. THREADED ROD		0.67	5.35
5	8	G12R-15	1/2" x 15" GALV. THREADED ROD		0.84	6.69
6	2	A1205	1/2" x 5" A325 HDG BOLT		0.34	0.69
7	18	G12FW	1/2" HDG USS FLATWASHER		0.03	0.61
8	18	G12LW	1/2" HDG LOCKWASHER		0.01	0.25
9	18	G12NUT	1/2" HDG HEAVY 2H HEX NUT		0.07	1.29
TOTAL WT. #						146.00

TOLERANCE NOTES

TOLERANCES ON DIMENSIONS, UNLESS OTHERWISE NOTED ARE:
 SAWED, SHEARED AND GAS CUT EDGES ($\pm 0.030"$)
 DRILLED AND GAS CUT HOLES ($\pm 0.030"$) - NO CONING OF HOLES
 LASER CUT EDGES AND HOLES ($\pm 0.010"$) - NO CONING OF HOLES
 BENDS ARE $\pm 1/2$ DEGREE
 ALL OTHER MACHINING ($\pm 0.030"$)
 ALL OTHER ASSEMBLY ($\pm 0.060"$)

PROPRIETARY NOTE:
 THE DATA AND TECHNIQUES CONTAINED IN THIS DRAWING ARE PROPRIETARY INFORMATION OF VALMONT INDUSTRIES AND CONSIDERED A TRADE SECRET. ANY USE OR DISCLOSURE WITHOUT THE CONSENT OF VALMONT INDUSTRIES IS STRICTLY PROHIBITED.

DESCRIPTION

36" ULTIMATE UNIVERSAL
STANDOFF FRAME

CPD NO.	DRAWN BY	ENG. APPROVAL
CLASS	DRAWING USAGE	CHECKED BY
81	01	CUSTOMER
		BMC 2/16/2011



Engineering
Support Team:
1-888-753-7446

Locations:
New York, NY
Atlanta, GA
Los Angeles, CA
Plymouth, IN
Salem, OR
Dallas, TX

PART NO.	USF-3U	PAGE
DWG. NO.	USF-3U	1 OF 1