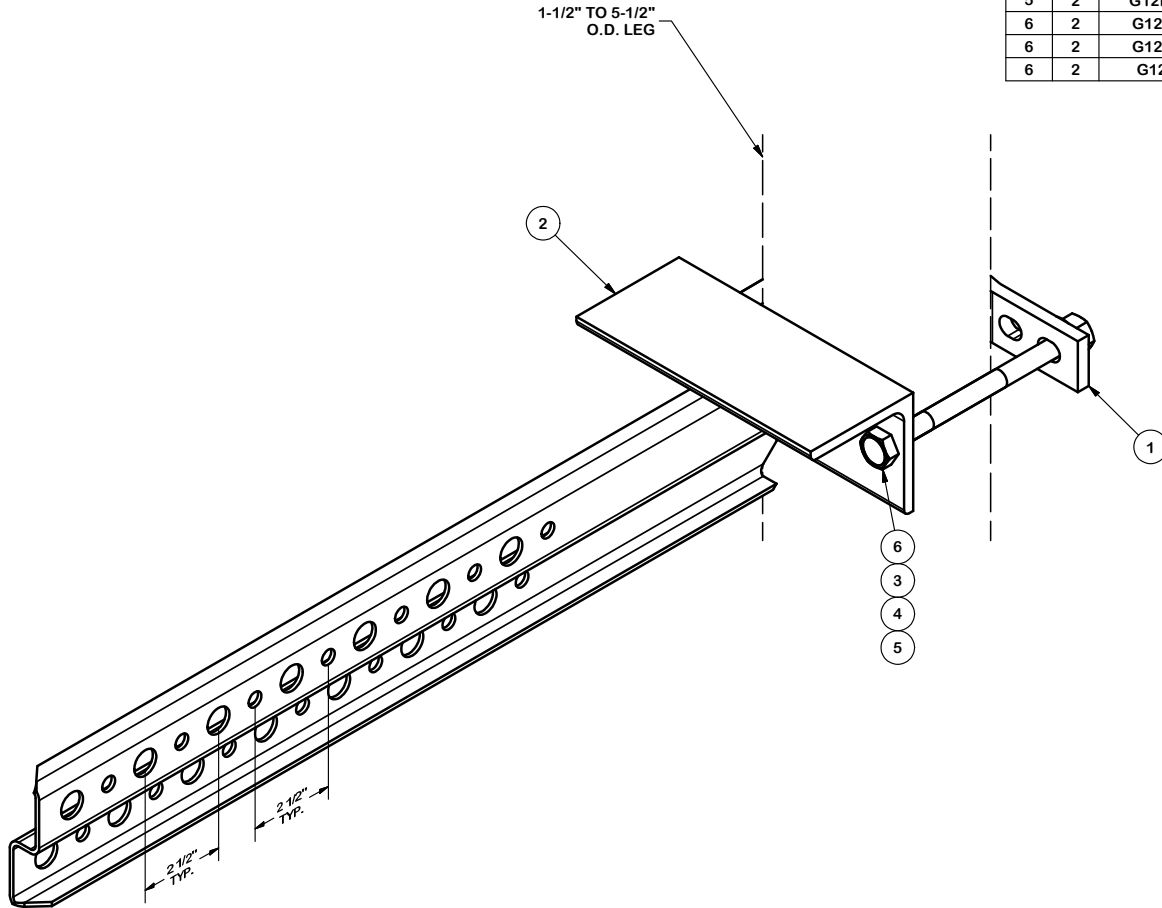


PARTS LIST						
ITEM	QTY	PART NO.	PART DESCRIPTION	LENGTH	UNIT WT.	NET WT.
1	1	X-116344	V-CLAMP (4" & 6 5/8" HOLE CENTERS)	8.625 in	1.29	1.29
2	1	X-125495	14 HOLE TRANSMISSION LINE BRACKET		9.80	9.80
3	2	G12FW	1/2" HDG USS FLATWASHER		0.03	0.07
4	2	G12LW	1/2" HDG LOCKWASHER		0.01	0.03
5	2	G12NUT	1/2" HDG HEAVY 2H HEX NUT		0.07	0.14
6	2	G12065	1/2" x 6-1/2" HDG HEX BOLT GR5 FULL THREAD	7-1/2	0.41	0.82
6	2	G12112	1/2" x 1-1/2" HDG HEX BOLT GR5	1 1/2	0.15	0.30
6	2	G1204	1/2" x 4" HDG HEX BOLT GR5 FULL THREAD	4	0.27	0.54
					TOTAL WT. #	12.98



TOLERANCE NOTES

TOLERANCES ON DIMENSIONS, UNLESS OTHERWISE NOTED ARE:
 SAWED, SHEARED AND GAS CUT EDGES (± 0.030 ")
 DRILLED AND GAS CUT HOLES (± 0.030 ") - NO CONING OF HOLES
 LASER CUT EDGES AND HOLES (± 0.010 ") - NO CONING OF HOLES
 BENDS ARE $\pm 1/2$ DEGREE
 ALL OTHER MACHINING (± 0.030 ")
 ALL OTHER ASSEMBLY (± 0.060 ")

PROPRIETARY NOTE:
 THE DATA AND TECHNIQUES CONTAINED IN THIS DRAWING ARE PROPRIETARY INFORMATION OF VALMONT INDUSTRIES AND CONSIDERED A TRADE SECRET. ANY USE OR DISCLOSURE WITHOUT THE CONSENT OF VALMONT INDUSTRIES IS STRICTLY PROHIBITED.

DESCRIPTION
 HEAVY DUTY UNIVERSAL
 COAX SUPPORT BRACKET
 (1-1/2" TO 5-1/2" O. D. LEG)

SITE PRO 1
 Engineering Support Team:
 1-888-753-7446

Locations:
 New York, NY
 Atlanta, GA
 Los Angeles, CA
 Plymouth, IN
 Salem, OR
 Dallas, TX

A valmont COMPANY

CPD NO.	DRAWN BY CEK 11/17/2010	ENG. APPROVAL
CLASS 81	SUB 02	DRAWING USAGE CUSTOMER
	CHECKED BY BMC 11/18/2010	

PART NO.	UTL14	PAGE 1 OF 1
DWG. NO.	UTL14	