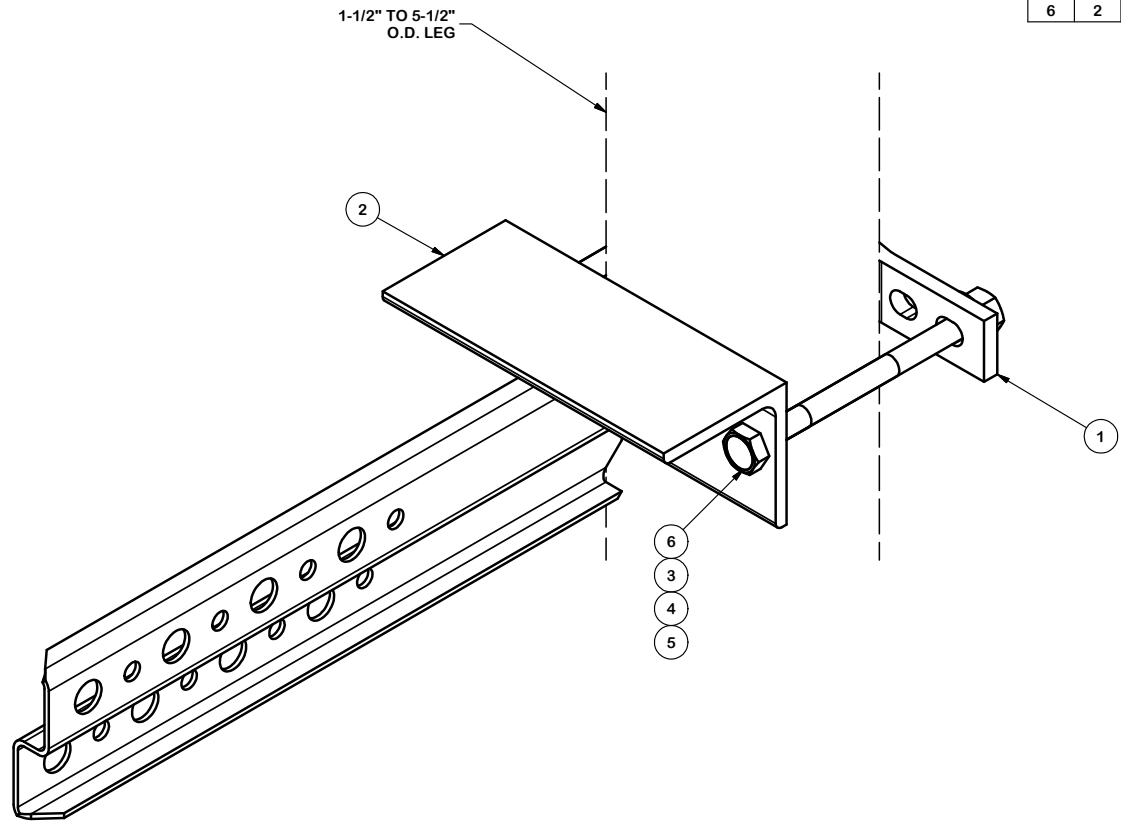


PARTS LIST						
ITEM	QTY	PART NO.	PART DESCRIPTION	LENGTH	UNIT WT.	NET WT.
1	1	X-116344	V-CLAMP (4" & 6 5/8" HOLE CENTERS)	8.625 in	1.29	1.29
2	1	X-117724	8 HOLE TRANSMISSION LINE BRACKET		8.15	8.15
3	2	G12FW	1/2" HDG USS FLATWASHER		0.03	0.07
4	2	G12LW	1/2" HDG LOCKWASHER		0.01	0.03
5	2	G12NUT	1/2" HDG HEAVY 2H HEX NUT		0.07	0.14
6	2	G12065	1/2" x 6-1/2" HDG HEX BOLT GR5 FULL THREAD	7-1/2	0.41	0.82
6	2	G12112	1/2" x 1-1/2" HDG HEX BOLT GR5	1 1/2	0.15	0.30
6	2	G1204	1/2" x 4" HDG HEX BOLT GR5 FULL THREAD	4	0.27	0.54
					TOTAL WT. #	10.89



TOLERANCE NOTES
TOLERANCES ON DIMENSIONS, UNLESS OTHERWISE NOTED ARE:
SAWED, SHEARED AND GAS CUT EDGES ($\pm 0.030"$)
DRILLED AND GAS CUT HOLES ($\pm 0.030"$) - NO CONING OF HOLES
LASER CUT EDGES AND HOLES ($\pm 0.010"$) - NO CONING OF HOLES
BENDS ARE $\pm 1/2$ DEGREE
ALL OTHER MACHINING ($\pm 0.030"$)
ALL OTHER ASSEMBLY ($\pm 0.060"$)

PROPRIETARY NOTE:
 THE DATA AND TECHNIQUES CONTAINED IN THIS DRAWING ARE PROPRIETARY INFORMATION OF VALMONT INDUSTRIES AND CONSIDERED A TRADE SECRET. ANY USE OR DISCLOSURE WITHOUT THE CONSENT OF VALMONT INDUSTRIES IS STRICTLY PROHIBITED.

DESCRIPTION		HEAVY DUTY UNIVERSAL COAX SUPPORT BRACKET (1-1/2" TO 5-1/2" O.D. LEG)	
CPD NO.	DRAWN BY	ENG. APPROVAL	
	CEK 11/17/2010		
CLASS	SUB	DRAWING USAGE	CHECKED BY
81	02	CUSTOMER	BMC 11/18/2010

 A valmont COMPANY	Locations: New York, NY Atlanta, GA Los Angeles, CA Plymouth, IN Salem, OR Dallas, TX
	Engineering Support Team: 1-888-753-7446
PART NO.	UTL8
DWG. NO.	UTL8