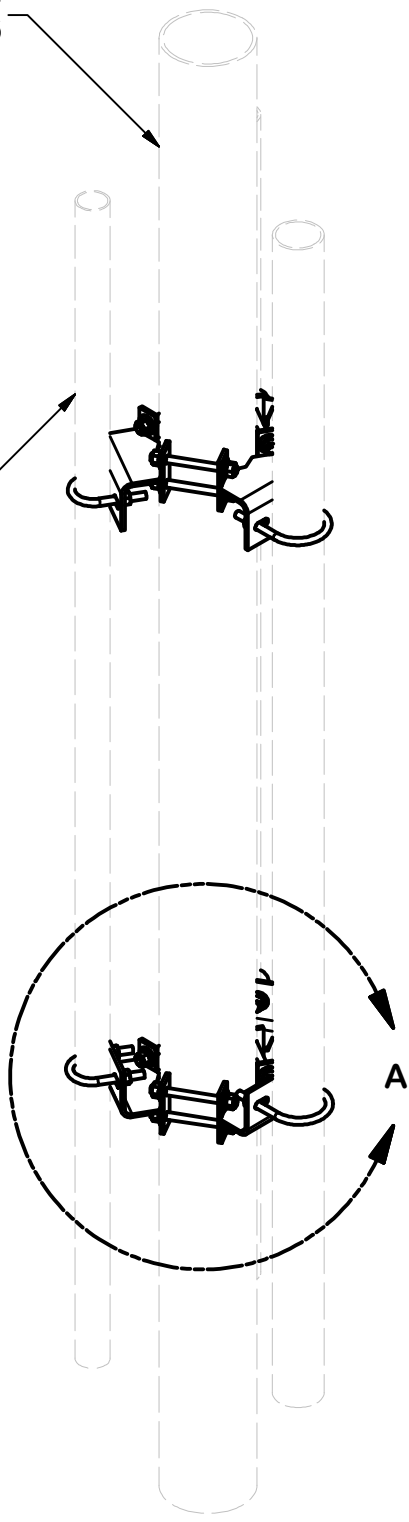
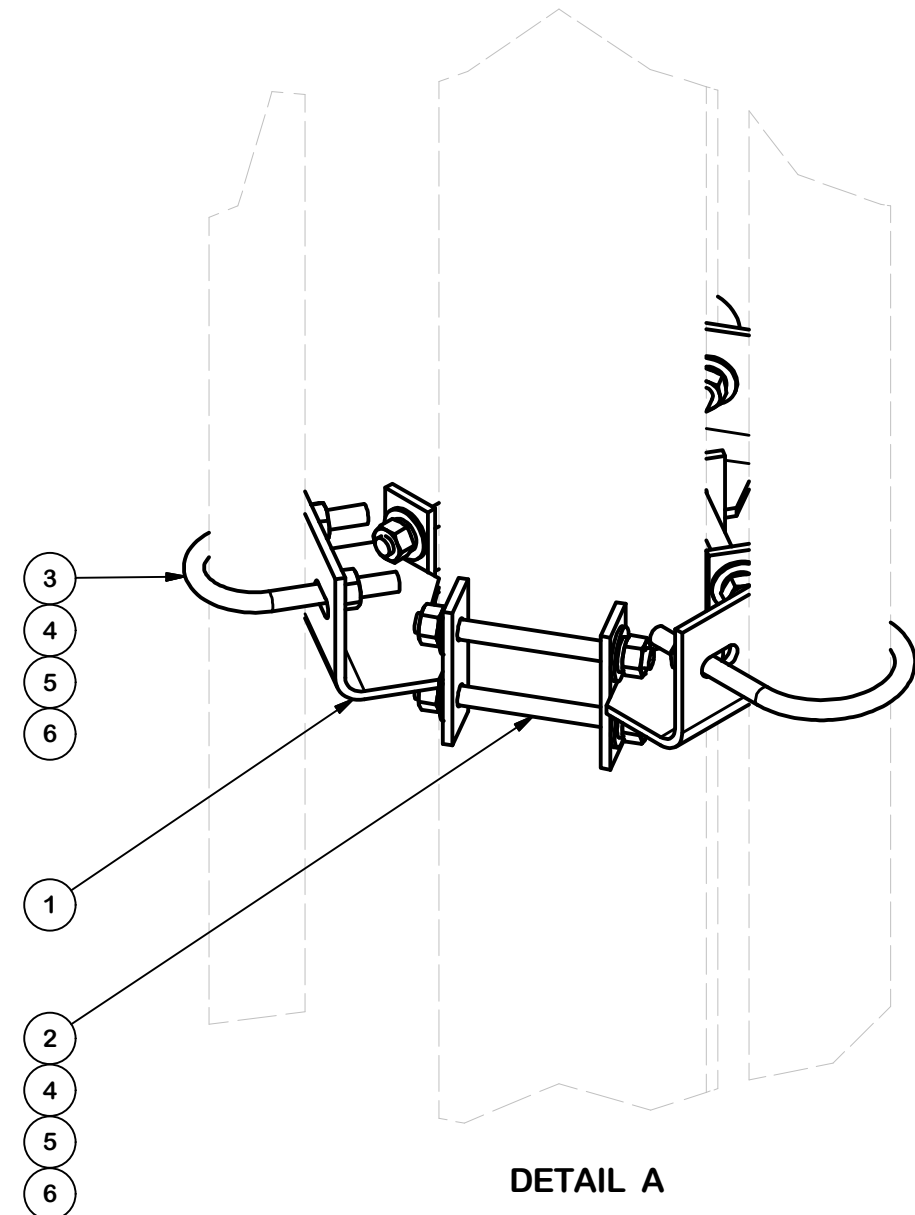


CONNECTS TO EXISTING TOWER LEG:  
2-7/8"Ø - 6-5/8"Ø



MOUNT PIPES SOLD SEPARATELY  
CONNECTS TO: 2-3/8"Ø, 2-1/2"Ø, & 3-1/2"Ø MOUNT PIPES

PARTS LIST						
ITEM	QTY	PART NO.	PART DESCRIPTION	LENGTH	UNIT WT.	NET WT.
1	6	X-UTSM	X-UTSM		3.76	22.58
2	12	G12R-6	1/2" x 6" THREADED ROD (HDG.)		0.40	4.79
3	6	X-UB1212	1/2" X 2-1/2" X 4-1/2" X 2" U-BOLT (HDG.)		0.63	1.25
3	6	X-UB1300	1/2" X 3" X 5" X 2" U-BOLT (HDG.)		0.70	1.39
3	6	X-UB1358	1/2" X 3-5/8" X 5-1/2" X 3" U-BOLT (HDG.)		0.77	1.54
4	36	G12FW	1/2" HDG USS FLATWASHER	3/32 in	0.03	1.23
5	36	G12LW	1/2" HDG LOCKWASHER	1/8 in	0.01	0.50
6	36	G12NUT	1/2" HDG HEAVY 2H HEX NUT		0.07	2.58
					TOTAL WT. #	48.15



**TOLERANCE NOTES**

TOLERANCES ON DIMENSIONS, UNLESS OTHERWISE NOTED ARE:  
 SAWED, SHEARED AND GAS CUT EDGES (± 0.030")  
 DRILLED AND GAS CUT HOLES (± 0.030") - NO CONING OF HOLES  
 LASER CUT EDGES AND HOLES (± 0.010") - NO CONING OF HOLES  
 BENDS ARE ± 1/2 DEGREE  
 ALL OTHER MACHINING (± 0.030")  
 ALL OTHER ASSEMBLY (± 0.060")

PROPRIETARY NOTE:  
 THE DATA AND TECHNIQUES CONTAINED IN THIS DRAWING ARE PROPRIETARY INFORMATION OF VALMONT INDUSTRIES AND CONSIDERED A TRADE SECRET. ANY USE OR DISCLOSURE WITHOUT THE CONSENT OF VALMONT INDUSTRIES IS STRICTLY PROHIBITED.

DESCRIPTION  
**UNIVERSAL TRI-SECTOR MOUNT KIT**

**SITE PRO 1**  
 A valmont COMPANY

Engineering Support Team:  
 1-888-753-7446

Locations:  
 New York, NY  
 Atlanta, GA  
 Los Angeles, CA  
 Plymouth, IN  
 Salem, OR  
 Dallas, TX

CPD NO.	DRAWN BY CSL3 4/10/2017	ENG. APPROVAL 3RD PARTY
CLASS 01	SUB 01	DRAWING USAGE SHOP
	CHECKED BY BMC 4/27/2017	

PART NO. <b>UTSM</b>	PAGE 1 OF 1
DWG. NO. <b>UTSM</b>	