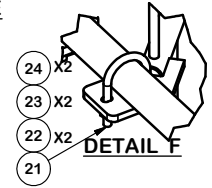
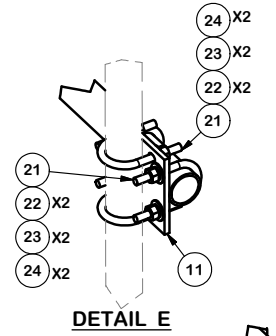
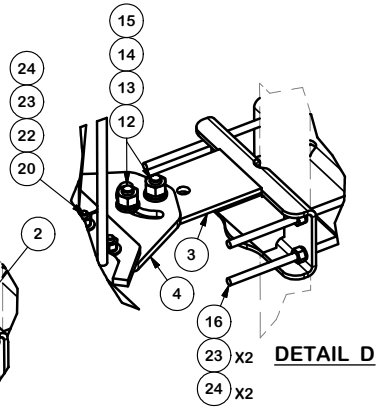
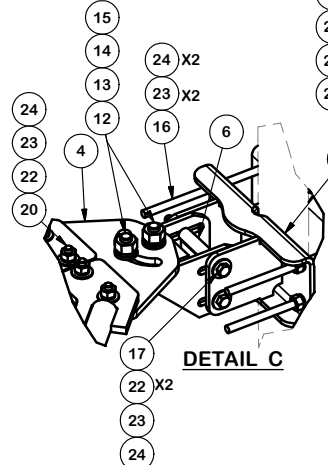
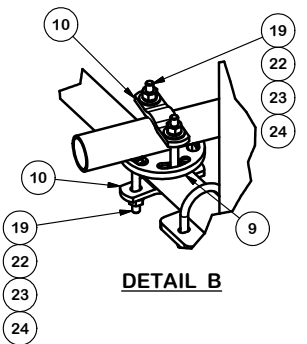
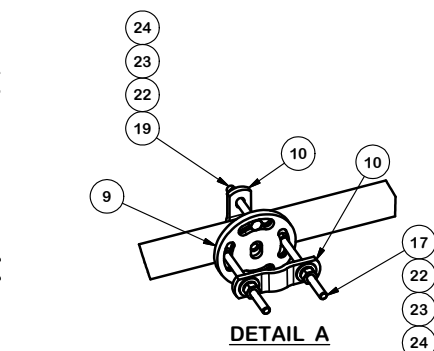


PARTS LIST						
ITEM	QTY	PART NO.	PART DESCRIPTION	LENGTH	UNIT WT.	NET WT.
1	2	X-233791	SUPPORT ARM		80.39	160.78
2	1	X-SDTLFB	DIAGONAL SLOT WELDMENT FOR BCAM SD		15.08	15.08
3	1	X-SDMHTP	MULTI-HOLE TAPER PLATE WELDMENT		16.63	16.63
4	2	X-SDPP	PIVOT PLATE	11 1/16 in	9.09	18.18
5	1	X-SDCAMSS	STRAIGHT SLOT WELDMENT FOR BCAM		8.48	8.48
6	1	X-SDCAMSP	POSITIONING PLATE WELDMENT FOR BCAM		1.43	1.43
7	2	X-LCBP2	BENT BACKING PLATE	12 in	8.86	17.73
8	3	P2126	2-3/8" X 126" (2" SCH. 40) GALVANIZED PIPE	126 in	40.75	122.26
9	2	X-127594	FLAT DISK CLAMP PLATE 4" CENTERS (GALV.)		2.51	5.01
10	4	X-100064	CLAMP (4" V-CLAMP) GALVANIZED		0.92	3.69
11	8	SCX1	CROSSOVER PLATE 2-3/8" X 2-3/8"	6 in	3.71	29.67
12	4	A34214	3/4"-10 X 2-1/4" A325 BOLT	2 1/4 in	0.47	1.89
13	4	G34FW	3/4" HDG USS FLATWASHER		0.06	0.24
14	4	G34LW	3/4" HDG LOCKWASHER		0.04	0.17
15	4	G34NUT	3/4" HDG HEAVY 2H HEX NUT		0.21	0.85
16	8	G12R-15	1/2" x 15" THREADED ROD (HDG.)		0.84	6.69
17	4	G12065	1/2" x 6-1/2" HDG HEX BOLT GR5 FULL THREAD	5 1/2 in	0.41	1.64
18	1	G12045	1/2" x 4.5" HDG HEX BOLT GR5 FULL THREAD	4 1/2 in	0.30	0.30
19	6	G1204	1/2" x 4" HDG HEX BOLT GR5 FULL THREAD	4 in	0.27	1.62
20	8	G1202	1/2" x 2" HDG HEX BOLT GR5	2 in	0.18	1.41
21	36	X-UB1212	1/2" X 2-1/2" X 4-1/2" X 2" GALV. U-BOLT		0.66	23.86
22	93	G12FW	1/2" HDG USS FLATWASHER	3/32 in	0.03	3.17
23	106	G12LW	1/2" HDG LOCKWASHER	1/8 in	0.01	1.47
24	107	G12NUT	1/2" HDG HEAVY 2H HEX NUT		0.07	7.66
					TOTAL WT. #	449.67



REV	DESCRIPTION OF REVISIONS	CPD	BY	DATE
B	UPDATED BCAM VERSION 1 TO BCAM VERSION 2		CEK	8/22/2018
A	CHANGED LEG CONNECTION HARDWARE		CEK	6/9/2017
REVISION HISTORY				

TOLERANCE NOTES
 TOLERANCES ON DIMENSIONS, UNLESS OTHERWISE NOTED ARE:
 SAWED, SHEARED AND GAS CUT EDGES ($\pm 0.030"$)
 DRILLED AND GAS CUT HOLES ($\pm 0.030"$) - NO CONING OF HOLES
 LASER CUT EDGES AND HOLES ($\pm 0.010"$) - NO CONING OF HOLES
 BENDS ARE $\pm 1/2$ DEGREE
 ALL OTHER MACHINING ($\pm 0.030"$)
 ALL OTHER ASSEMBLY ($\pm 0.060"$)

PROPRIETARY NOTE:
 THE DATA AND TECHNIQUES CONTAINED IN THIS DRAWING ARE PROPRIETARY INFORMATION OF VALMONT INDUSTRIES AND CONSIDERED A TRADE SECRET. ANY USE OR DISCLOSURE WITHOUT THE CONSENT OF VALMONT INDUSTRIES IS STRICTLY PROHIBITED.

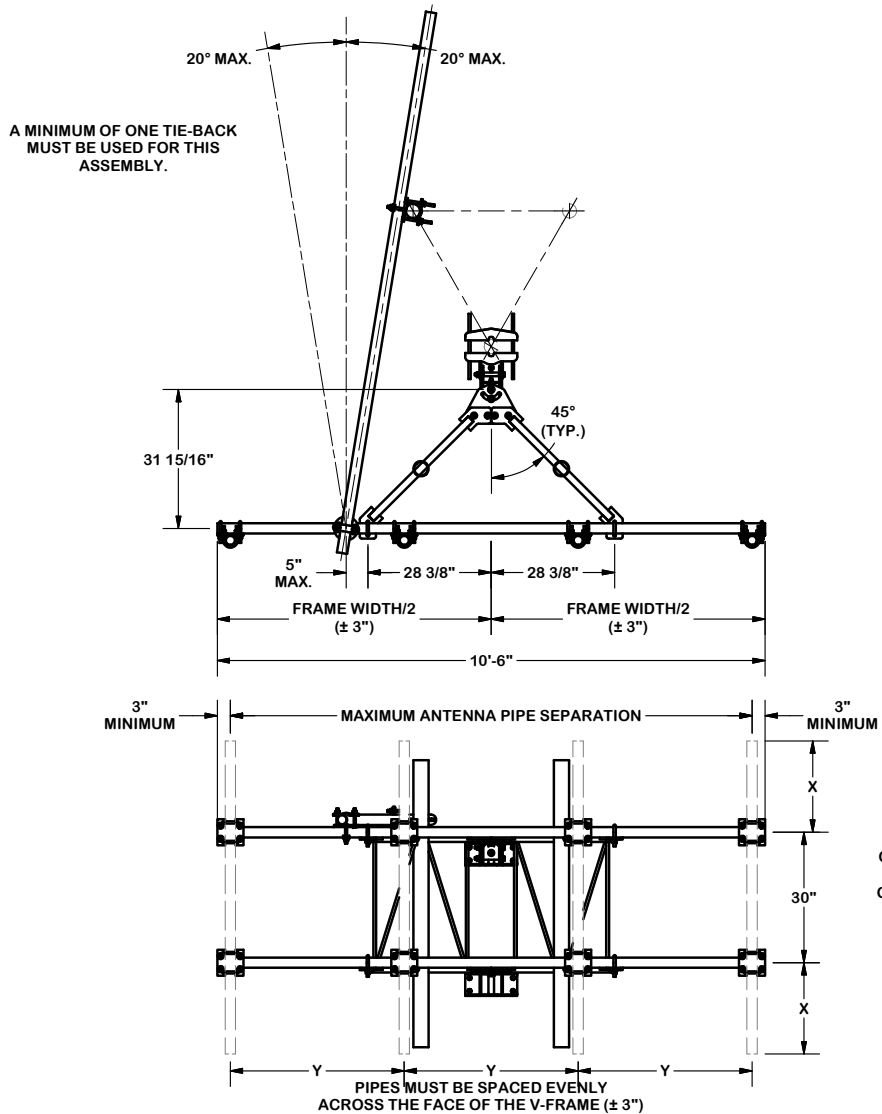
DESCRIPTION	
10'-6" V-FRAME ASSEMBLY W/ STIFF ARM AND RRU MOUNTING PIPE	
CPD NO.	10142
DRAWN BY	CEK 2/26/2015
ENG. APPROVAL	
CLASS	81
SUB	01
DRAWING USAGE	CUSTOMER
CHECKED BY	BMC 8/22/2018

A valmont COMPANY

Locations:
 New York, NY
 Atlanta, GA
 Los Angeles, CA
 Plymouth, IN
 Salem, OR
 Dallas, TX

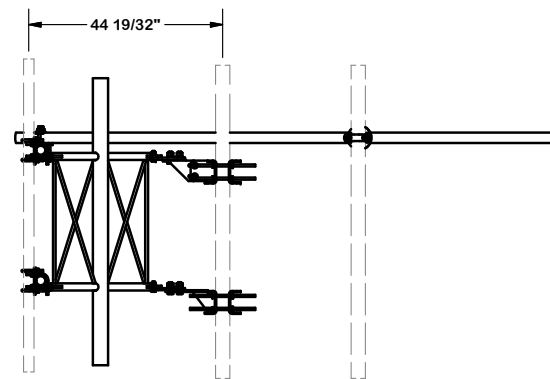
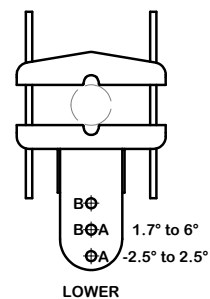
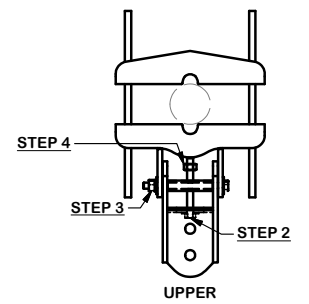
Engineering Support Team:
 1-888-753-7446

PART NO.	VFA10-RRU	PAGE	3
DWG. NO.	VFA10-RRU	OF	3



ANGLE CALIBRATING PROCEDURE:

1. MEASURE TOWER TAPER AND PICK LOWER BRACKET HOLE:
 - HOLE A = -2.5° TO 2.5°
 - HOLE B = 1.7° TO 6°
2. USE CALIBRATING BOLT TO ADJUST FRAME TO DESIRED TAPER
3. TORQUE LOCKING BOLTS TO 50 ft.-lbs.
4. ADVANCE LOCKING NUT TO POSITIONING PLATE, THEN TIGHTEN.



CENTER ANTENNA PIPE VERTICALLY ON V-FRAME FACE.

PIPES MUST BE SPACED EVENLY ACROSS THE FACE OF THE V-FRAME (± 3")

REV	DESCRIPTION OF REVISIONS	CPD	BY	DATE
B	UPDATED BCAM VERSION 1 TO BCAM VERSION 2		CEK	8/22/2018
A	CHANGED LEG CONNECTION HARDWARE		CEK	6/9/2017
REVISION HISTORY				

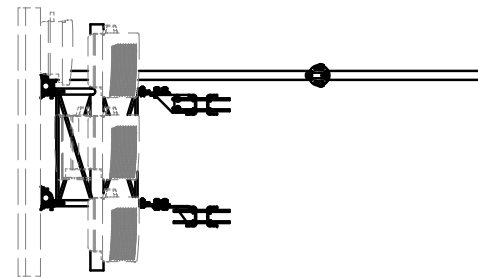
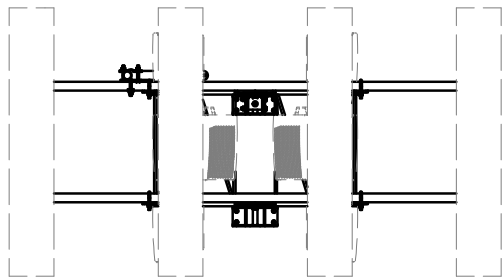
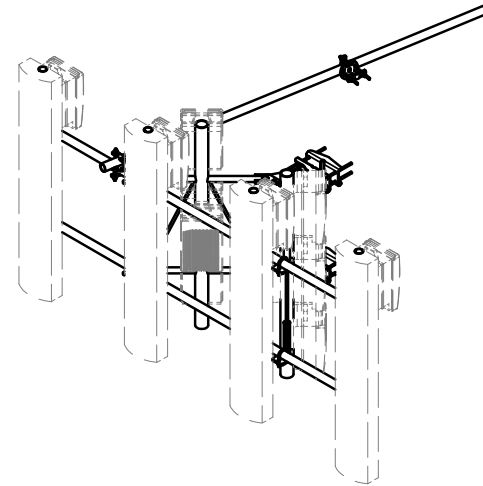
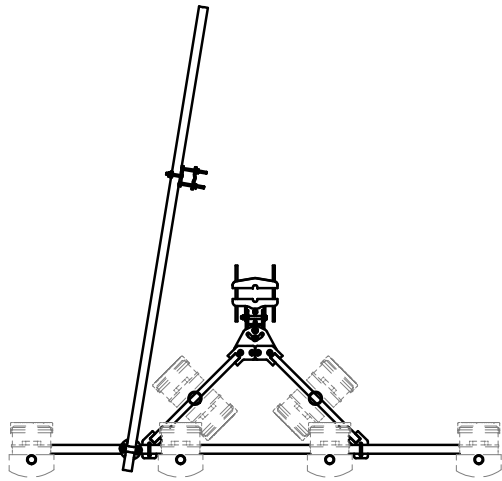
TOLERANCE NOTES

TOLERANCES ON DIMENSIONS, UNLESS OTHERWISE NOTED ARE:
 SAWED, SHEARED AND GAS CUT EDGES (± 0.030")
 DRILLED AND GAS CUT HOLES (± 0.030") - NO CONING OF HOLES
 LASER CUT EDGES AND HOLES (± 0.010") - NO CONING OF HOLES
 BENDS ARE ± 1/2 DEGREE
 ALL OTHER MACHINING (± 0.030")
 ALL OTHER ASSEMBLY (± 0.060")

PROPRIETARY NOTE:
 THE DATA AND TECHNIQUES CONTAINED IN THIS DRAWING ARE PROPRIETARY INFORMATION OF VALMONT INDUSTRIES AND CONSIDERED A TRADE SECRET. ANY USE OR DISCLOSURE WITHOUT THE CONSENT OF VALMONT INDUSTRIES IS STRICTLY PROHIBITED.

DESCRIPTION		10'-6" V-FRAME ASSEMBLY W/ STIFF ARM AND RRU MOUNTING PIPE	
CPD NO.	DRAWN BY	ENG. APPROVAL	
10142	CEK 2/26/2015		
CLASS	SUB	DRAWING USAGE	CHECKED BY
81	01	CUSTOMER	BMC 8/22/2018

	Engineering Support Team: 1-888-753-7446	Locations: New York, NY Atlanta, GA Los Angeles, CA Plymouth, IN Salem, OR Dallas, TX
	PART NO.	VFA10-RRU
DWG. NO.	VFA10-RRU	



TOLERANCE NOTES

**TOLERANCES ON DIMENSIONS, UNLESS OTHERWISE NOTED ARE:
 SAWED, SHEARED AND GAS CUT EDGES ($\pm 0.030"$)
 DRILLED AND GAS CUT HOLES ($\pm 0.030"$) - NO CONING OF HOLES
 LASER CUT EDGES AND HOLES ($\pm 0.010"$) - NO CONING OF HOLES
 BENDS ARE $\pm 1/2$ DEGREE
 ALL OTHER MACHINING ($\pm 0.030"$)
 ALL OTHER ASSEMBLY ($\pm 0.060"$)**

PROPRIETARY NOTE:
 THE DATA AND TECHNIQUES CONTAINED IN THIS DRAWING ARE PROPRIETARY INFORMATION OF VALMONT
 INDUSTRIES AND CONSIDERED A TRADE SECRET. ANY USE OR DISCLOSURE WITHOUT THE CONSENT OF
 VALMONT INDUSTRIES IS STRICTLY PROHIBITED.

DESCRIPTION
**10'-6" V-FRAME ASSEMBLY W/ STIFF ARM
 AND RRU MOUNTING PIPE**

SITE PRO 1
 A valmont COMPANY

Locations:
 New York, NY
 Atlanta, GA
 Los Angeles, CA
 Plymouth, IN
 Salem, OR
 Dallas, TX

Engineering
 Support Team:
 1-888-753-7446

B	UPDATED BCAM VERSION 1 TO BCAM VERSION 2	CEK	8/22/2018
A	CHANGED LEG CONNECTION HARDWARE	CEK	6/9/2017
REV	DESCRIPTION OF REVISIONS	CPD	BY
	REVISION HISTORY		DATE

CPD NO.	DRAWN BY	ENG. APPROVAL
10142	CEK 2/26/2015	
CLASS	DRAWING USAGE	CHECKED BY
81	CUSTOMER	BMC 8/22/2018

PART NO.	VFA10-RRU
DWG. NO.	VFA10-RRU