

PARTS LIST						
ITEM	QTY	PART NO.	PART DESCRIPTION	LENGTH	UNIT WT.	NET WT.
1	2	X-VFAW	SUPPORT ARM		71.41	142.81
2	1	X-HDCAMTBW	CLAMP WELDMENT FOR BCAM-HD		33.86	33.86
3	1	X-MHTPHD	MULTI-HOLE TAPER PLATE WELDMENT		36.24	36.24
4	1	X-HDCAMSS	ANGLE ADJUSTMENT WELDMENT FOR BCAM-HD		16.39	16.39
5	2	X-VFAPL4	VFA-HD PIVOT PLATE	12 in	15.88	31.77
6	2	X-LCBP4	BENT BACKING PLATE	13 in	19.00	38.01
7	4	X-SPTB	SLIDING PIPE TIE BACK PLATE	5 1/2 in	5.87	23.49
8	1	X-HDCAMSP	POSITIONING PLATE WELDMENT FOR BCAM-HD		2.58	2.58
9	4	X-TBCA	TIE BACK CLIP ANGLE		2.01	8.02
10	10	SCX2	CROSSOVER PLATE	7 in	4.80	47.96
11	4	MCP	CLAMP HALF 1/2" THICK, 11-5/8" LONG	12 1/16 in	3.59	14.37
12	8	DCP	1/2" THICK, 5-3/4" CTR TO CENTER CLAMP HALF	8 1/8 in	2.36	18.90
13	2	P2126	2-3/8" X 126" (2" SCH. 40) GALVANIZED PIPE	126 in	40.75	81.50
14	2	P30150	2-7/8" X 150" (2-1/2" SCH. 40) GALVANIZED PIPE	150 in	76.94	153.87
15	4	A34212	3/4" X 2-1/2" UNC HEX BOLT (A325)	2 1/2 in	0.48	1.92
16	4	G34FW	3/4" HDG USS FLATWASHER		0.06	0.24
17	4	G34LW	3/4" HDG LOCKWASHER		0.04	0.17
18	4	G34NUT	3/4" HDG HEAVY 2H HEX NUT		0.21	0.85
19	8	G58R-18	5/8" X 18" THREADED ROD (HDG.)		1.57	12.54
20	4	G58R-12	5/8" X 12" THREADED ROD (HDG.)		1.05	4.18
21	4	G58R-8	5/8" X 8" THREADED ROD (HDG.)		0.70	2.79
22	4	X-UB5300	5/8" X 3" X 5-1/4" X 2-1/2" U-BOLT (HDG.)		1.15	4.60
23	8	X-UB5258	5/8" X 2-5/8" X 4-1/2" X 2" U-BOLT (HDG.)		1.00	8.00
24	2	G5807	5/8" X 7" HDG HEX BOLT GR5 FULL THREAD	7 in	0.70	1.41
25	1	G5806	5/8" X 6" HDG HEX BOLT GR5 FULL THREAD	6 in	0.62	0.62
26	8	G5804	5/8" X 4" HDG HEX BOLT GR5		0.44	3.55
27	4	G5802	5/8" X 2" HDG HEX BOLT GR5		0.27	1.08
28	8	A582114	5/8" X 2-1/4" HDG A325 HEX BOLT	2 1/4 in	0.31	2.50
29	25	G58FW	5/8" HDG USS FLATWASHER	1/8 in	0.07	1.76
30	66	G58LW	5/8" HDG LOCKWASHER		0.03	1.72
31	71	G58NUT	5/8" HDG HEAVY 2H HEX NUT		0.13	9.22
32	48	X-UB1300	1/2" X 3" X 5" X 2" GALV U-BOLT		0.74	35.45
33	20	X-UB1212	1/2" X 2-1/2" X 4-1/2" X 2" GALV. U-BOLT		0.66	13.13
34	80	G12FW	1/2" HDG USS FLATWASHER	3/32 in	0.03	2.73
35	80	G12LW	1/2" HDG LOCKWASHER	1/8 in	0.01	1.11
36	80	G12NUT	1/2" HDG HEAVY 2H HEX NUT		0.07	5.73
37	5	P30120	2-7/8" X 120" (2-1/2" SCH. 40) GALVANIZED PIPE	120 in	58.07	290.33
					TOTAL WT. #	1055.41

REV	DESCRIPTION OF REVISIONS	CPD	BY	DATE
A	UPDATED BCAM VERSION 1 TO BCAM VERSION 2	SP1	CSL	7/2/2018
REVISION HISTORY				

TOLERANCE NOTES

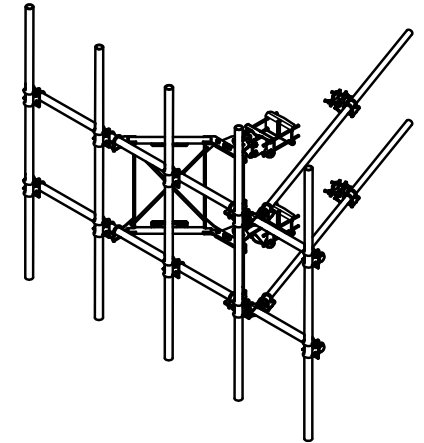
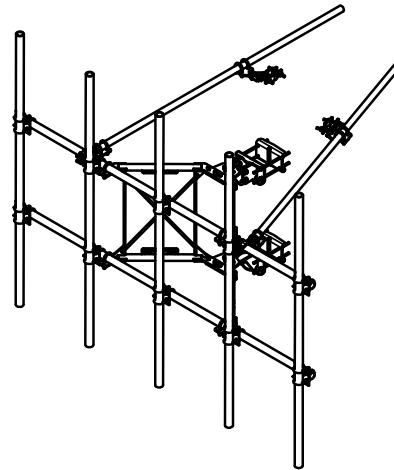
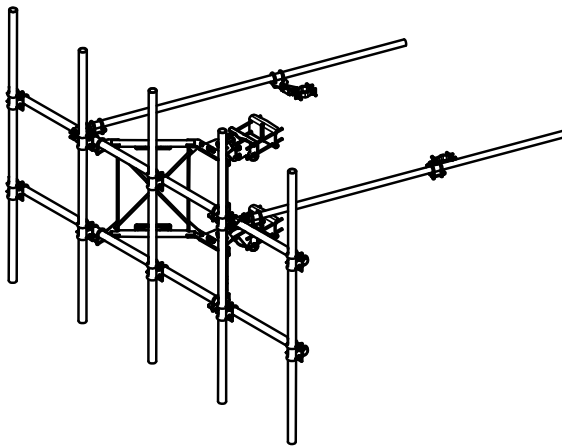
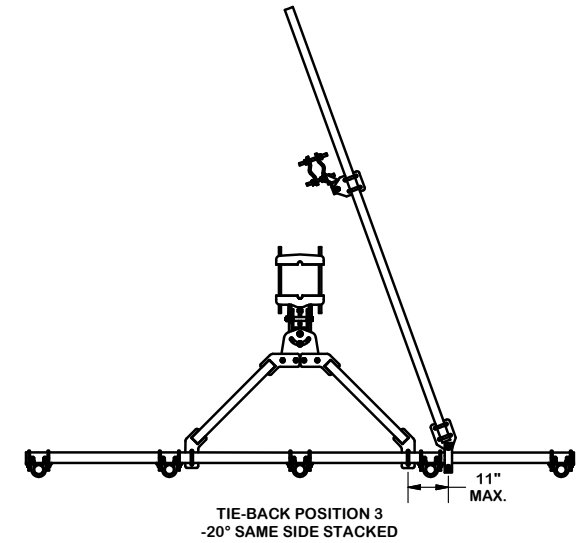
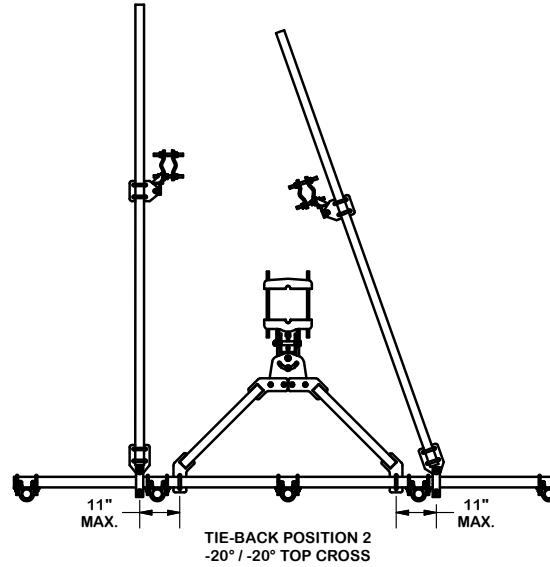
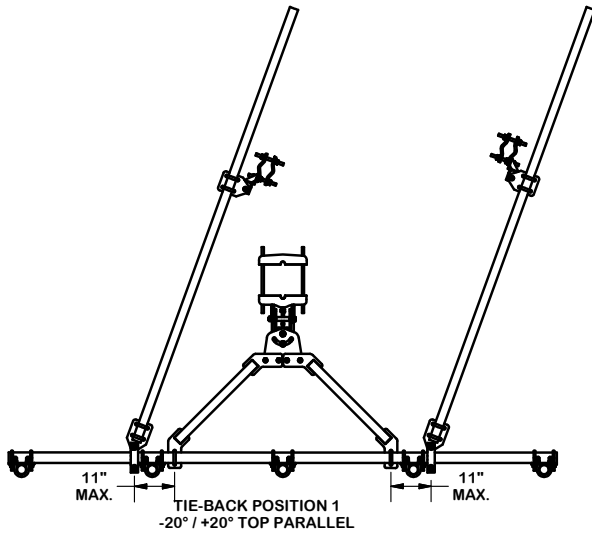
TOLERANCES ON DIMENSIONS, UNLESS OTHERWISE NOTED ARE:
 SAWED, SHEARED AND GAS CUT EDGES ($\pm 0.030"$)
 DRILLED AND GAS CUT HOLES ($\pm 0.030"$) - NO CONING OF HOLES
 LASER CUT EDGES AND HOLES ($\pm 0.010"$) - NO CONING OF HOLES
 BENDS ARE $\pm 1/2$ DEGREE
 ALL OTHER MACHINING ($\pm 0.030"$)
 ALL OTHER ASSEMBLY ($\pm 0.060"$)

PROPRIETARY NOTE:
 THE DATA AND TECHNIQUES CONTAINED IN THIS DRAWING ARE PROPRIETARY INFORMATION OF VALMONT INDUSTRIES AND CONSIDERED A TRADE SECRET. ANY USE OR DISCLOSURE WITHOUT THE CONSENT OF VALMONT INDUSTRIES IS STRICTLY PROHIBITED.

DESCRIPTION		12' 6" HEAVY DUTY V-FRAME ASSEMBLY W/ 2 STIFF ARMS & MOUNT PIPES	
CPD NO.	DRAWN BY	ENG. APPROVAL	
SP1	CSL	1/25/2017	
CLASS	SUB	DRAWING USAGE	CHECKED BY
87	02	CUSTOMER	BMC 5/3/2018

 A valmont COMPANY	Locations: New York, NY Atlanta, GA Los Angeles, CA Plymouth, IN Salem, OR Dallas, TX
	Engineering Support Team: 1-888-753-7446
PART NO.	VFA12-WLL-30120
DWG. NO.	VFA12-WLL-30120

TIE-BACK POSITIONS



TOLERANCE NOTES

TOLERANCES ON DIMENSIONS, UNLESS OTHERWISE NOTED ARE:
 SAWED, SHEARED AND GAS CUT EDGES ($\pm 0.030"$)
 DRILLED AND GAS CUT HOLES ($\pm 0.030"$) - NO CONING OF HOLES
 LASER CUT EDGES AND HOLES ($\pm 0.010"$) - NO CONING OF HOLES
 BENDS ARE $\pm 1/2$ DEGREE
 ALL OTHER MACHINING ($\pm 0.030"$)
 ALL OTHER ASSEMBLY ($\pm 0.060"$)

PROPRIETARY NOTE:
 THE DATA AND TECHNIQUES CONTAINED IN THIS DRAWING ARE PROPRIETARY INFORMATION OF VALMONT INDUSTRIES AND CONSIDERED A TRADE SECRET. ANY USE OR DISCLOSURE WITHOUT THE CONSENT OF VALMONT INDUSTRIES IS STRICTLY PROHIBITED.

DESCRIPTION
 12' 6" HEAVY DUTY
 V-FRAME ASSEMBLY
 W/ 2 STIFF ARMS
 & MOUNT PIPES



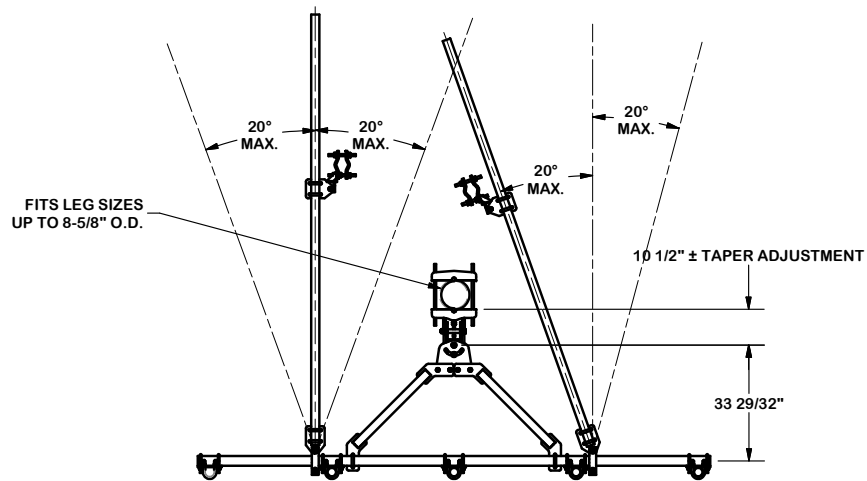
Engineering Support Team:
 1-888-753-7446

Locations:
 New York, NY
 Atlanta, GA
 Los Angeles, CA
 Plymouth, IN
 Salem, OR
 Dallas, TX

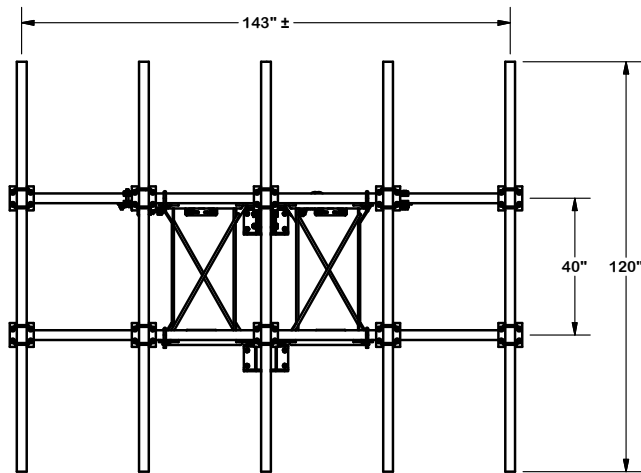
A	UPDATED BCAM VERSION 1 TO BCAM VERSION 2	SP1	CSL	7/2/2018
REV	DESCRIPTION OF REVISIONS	CPD	BY	DATE
REVISION HISTORY				

CPD NO.	DRAWN BY	ENG. APPROVAL
SP1	CSL 1/25/2017	
CLASS	DRAWING USAGE	CHECKED BY
87	CUSTOMER	BMC 5/3/2018

PART NO.	VFA12-WLL-30120
DWG. NO.	VFA12-WLL-30120

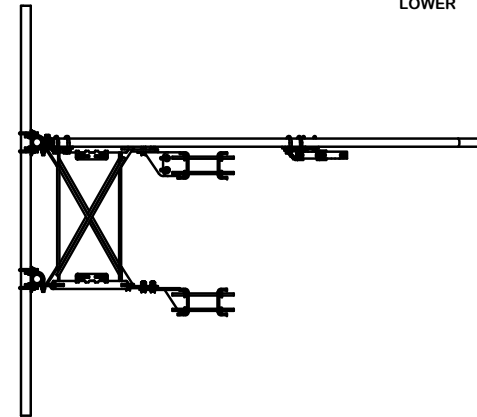
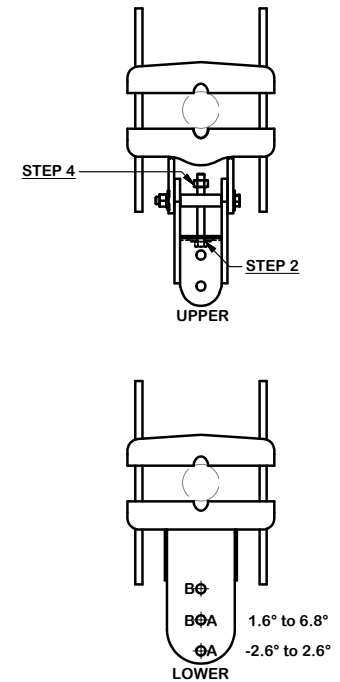


FITS LEG SIZES UP TO 8-5/8" O.D.



ANGLE CALIBRATING PROCEDURE:

1. MEASURE TOWER TAPER AND PICK LOWER BRACKET HOLE:
 - HOLE A = -2.6° TO 2.6°
 - HOLE B = 1.6° TO 6.8°
2. USE CALIBRATING BOLT TO ADJUST FRAME TO DESIRED TAPER
3. TORQUE LOCKING BOLTS TO 100 ft.-lbs.
4. ADVANCE LOCKING NUT TO POSITIONING PLATE, THEN TIGHTEN.



TOLERANCE NOTES

TOLERANCES ON DIMENSIONS, UNLESS OTHERWISE NOTED ARE:
 SAWED, SHEARED AND GAS CUT EDGES ($\pm 0.030"$)
 DRILLED AND GAS CUT HOLES ($\pm 0.030"$) - NO CONING OF HOLES
 LASER CUT EDGES AND HOLES ($\pm 0.010"$) - NO CONING OF HOLES
 BENDS ARE $\pm 1/2$ DEGREE
 ALL OTHER MACHINING ($\pm 0.030"$)
 ALL OTHER ASSEMBLY ($\pm 0.060"$)

PROPRIETARY NOTE:
 THE DATA AND TECHNIQUES CONTAINED IN THIS DRAWING ARE PROPRIETARY INFORMATION OF VALMONT INDUSTRIES AND CONSIDERED A TRADE SECRET. ANY USE OR DISCLOSURE WITHOUT THE CONSENT OF VALMONT INDUSTRIES IS STRICTLY PROHIBITED.

DESCRIPTION 12' 6" HEAVY DUTY V-FRAME ASSEMBLY W/ 2 STIFF ARMS & MOUNT PIPES

CPD NO. SP1	DRAWN BY CSL	1/25/2017	ENG. APPROVAL
CLASS 87	SUB 02	DRAWING USAGE CUSTOMER	CHECKED BY BMC
		5/3/2018	



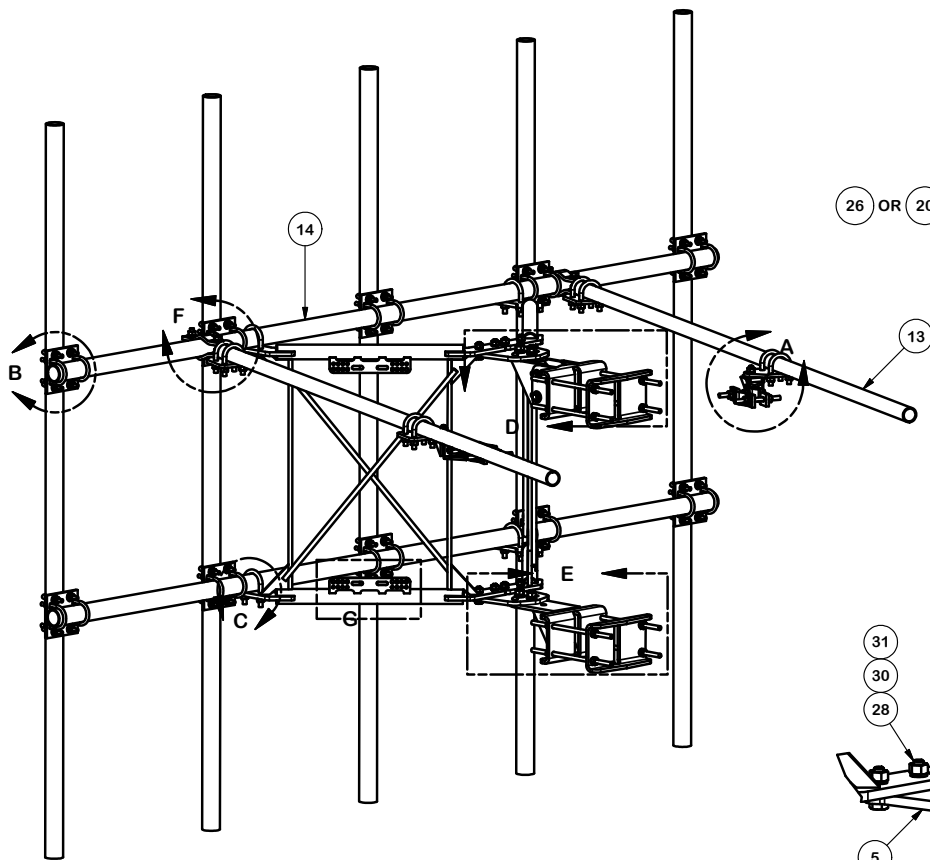
Engineering Support Team:
 1-888-753-7446

Locations:
 New York, NY
 Atlanta, GA
 Los Angeles, CA
 Plymouth, IN
 Salem, OR
 Dallas, TX

PART NO.	VFA12-WLL-30120
DWG. NO.	VFA12-WLL-30120

REV	DESCRIPTION OF REVISIONS	CPD	BY	DATE
A	UPDATED BCAM VERSION 1 TO BCAM VERSION 2	SP1	CSL	7/2/2018

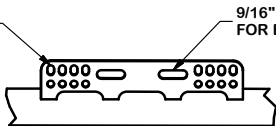
REVISION HISTORY



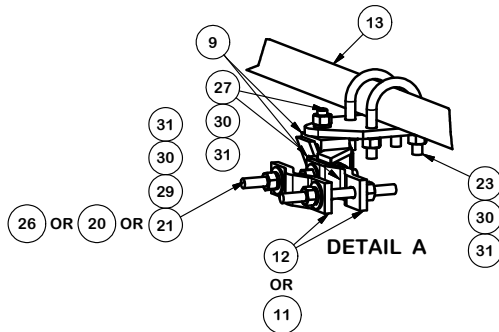
7/16" LUG HOLES

REVIEW CARRIER STANDARDS FOR PROPER SURFACE PREPARATION AND ASSEMBLY OF ELECTRICAL CONNECTIONS

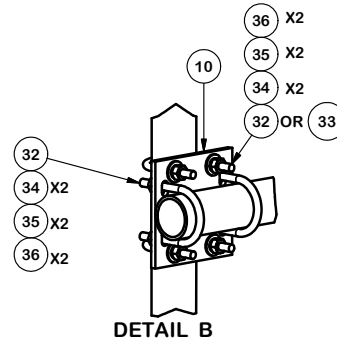
9/16" SLOTTED HOLE FOR EQUIPMENT PIPE U-BOLT



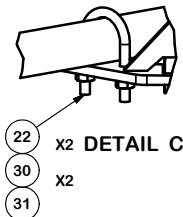
DETAIL G



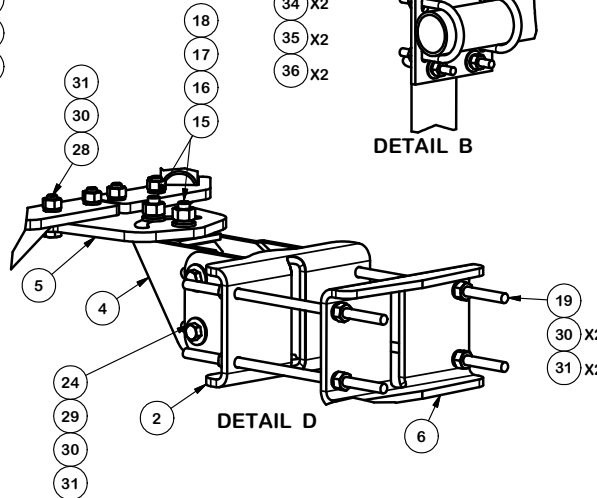
DETAIL A



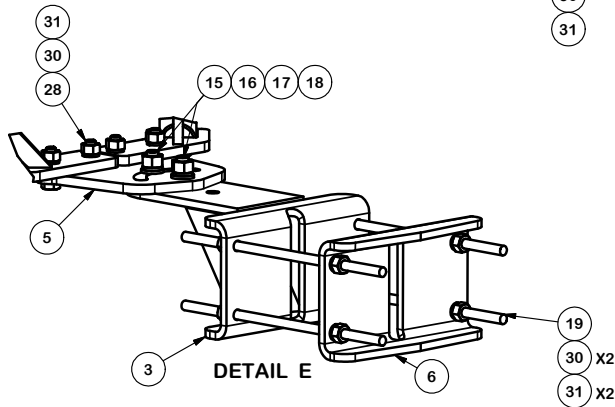
DETAIL B



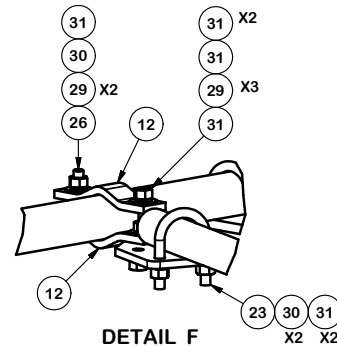
DETAIL C



DETAIL D



DETAIL E



DETAIL F

TOLERANCE NOTES

TOLERANCES ON DIMENSIONS, UNLESS OTHERWISE NOTED ARE:
 SAWED, SHEARED AND GAS CUT EDGES ($\pm 0.030"$)
 DRILLED AND GAS CUT HOLES ($\pm 0.030"$) - NO CONING OF HOLES
 LASER CUT EDGES AND HOLES ($\pm 0.010"$) - NO CONING OF HOLES
 BENDS ARE $\pm 1/2$ DEGREE
 ALL OTHER MACHINING ($\pm 0.030"$)
 ALL OTHER ASSEMBLY ($\pm 0.060"$)

PROPRIETARY NOTE:
 THE DATA AND TECHNIQUES CONTAINED IN THIS DRAWING ARE PROPRIETARY INFORMATION OF VALMONT INDUSTRIES AND CONSIDERED A TRADE SECRET. ANY USE OR DISCLOSURE WITHOUT THE CONSENT OF VALMONT INDUSTRIES IS STRICTLY PROHIBITED.

DESCRIPTION
 12' 6" HEAVY DUTY
 V-FRAME ASSEMBLY
 W/ 2 STIFF ARMS
 & MOUNT PIPES



Engineering Support Team:
 1-888-753-7446

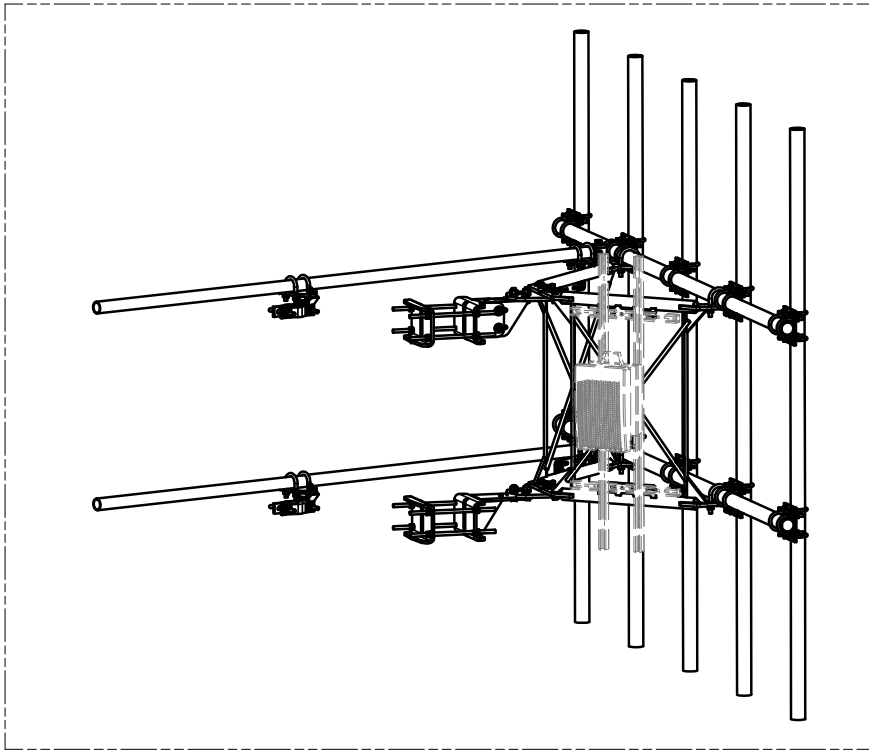
Locations:
 New York, NY
 Atlanta, GA
 Los Angeles, CA
 Plymouth, IN
 Salem, OR
 Dallas, TX

PART NO. VFA12-WLL-30120

DWG. NO. VFA12-WLL-30120

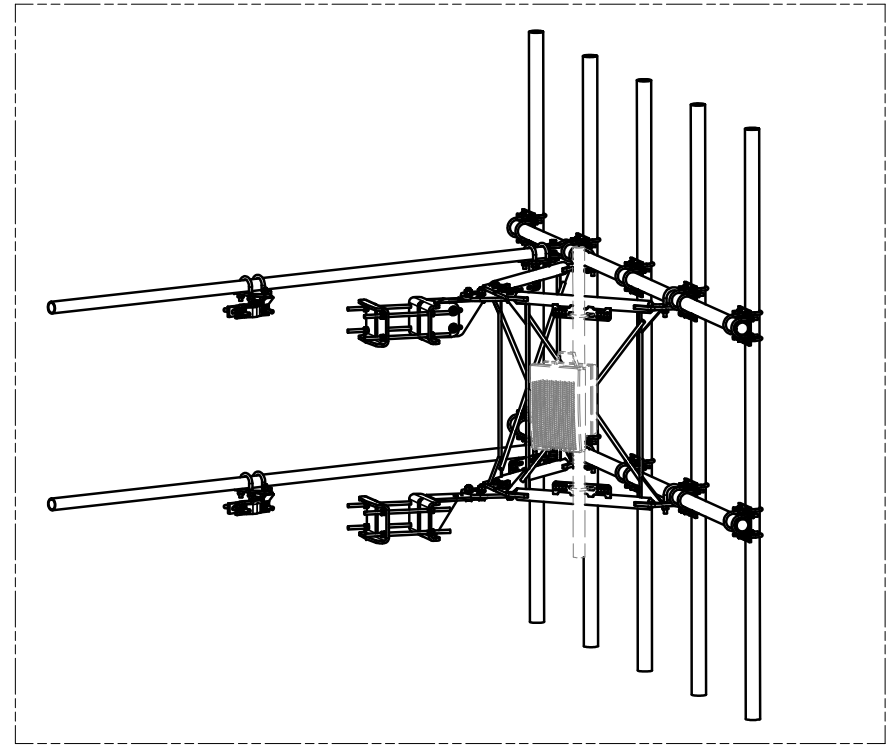
REV	DESCRIPTION OF REVISIONS	CPD	BY	DATE
A	UPDATED BCAM VERSION 1 TO BCAM VERSION 2	SP1	CSL	7/2/2018

CPD NO.	DRAWN BY	ENG. APPROVAL
SP1	CSL 1/25/2017	
CLASS	SUB	DRAWING USAGE
87	02	CUSTOMER
CHECKED BY	DATE	
BMC	5/3/2018	



UNISTRUT AND HARDWARE
SOLD SEPARATELY.

REQUIRES 3/8" HARDWARE



EQUIPMENT PIPE AND HARDWARE
SOLD SEPARATELY.

REQUIRES 1/2" HARDWARE
AND 2-3/8" TO 4-1/2" O.D. PIPE

TOLERANCE NOTES

TOLERANCES ON DIMENSIONS, UNLESS OTHERWISE NOTED ARE:
 SAWED, SHEARED AND GAS CUT EDGES ($\pm 0.030"$)
 DRILLED AND GAS CUT HOLES ($\pm 0.030"$) - NO CONING OF HOLES
 LASER CUT EDGES AND HOLES ($\pm 0.010"$) - NO CONING OF HOLES
 BENDS ARE $\pm 1/2$ DEGREE
 ALL OTHER MACHINING ($\pm 0.030"$)
 ALL OTHER ASSEMBLY ($\pm 0.060"$)

PROPRIETARY NOTE:
 THE DATA AND TECHNIQUES CONTAINED IN THIS DRAWING ARE PROPRIETARY INFORMATION OF VALMONT
 INDUSTRIES AND CONSIDERED A TRADE SECRET. ANY USE OR DISCLOSURE WITHOUT THE CONSENT OF
 VALMONT INDUSTRIES IS STRICTLY PROHIBITED.

DESCRIPTION 12' 6" HEAVY DUTY
 V-FRAME ASSEMBLY
 W/ 2 STIFF ARMS
 & MOUNT PIPES

SITE PRO 1
 A valmont COMPANY

Locations:
 New York, NY
 Atlanta, GA
 Los Angeles, CA
 Plymouth, IN
 Salem, OR
 Dallas, TX

Engineering Support Team:
 1-888-753-7446

REV	DESCRIPTION OF REVISIONS	CPD	BY	DATE
A	UPDATED BCAM VERSION 1 TO BCAM VERSION 2	SP1	CSL	7/2/2018
REVISION HISTORY				

CPD NO.	DRAWN BY	ENG. APPROVAL
SP1	CSL 1/25/2017	
CLASS	SUB	DRAWING USAGE
87	02	CUSTOMER
CHECKED BY	DATE	
BMC	5/3/2018	

PART NO.	DWG. NO.
VFA12-WLL-30120	VFA12-WLL-30120