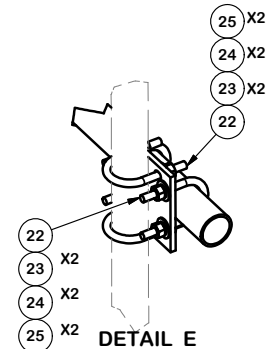
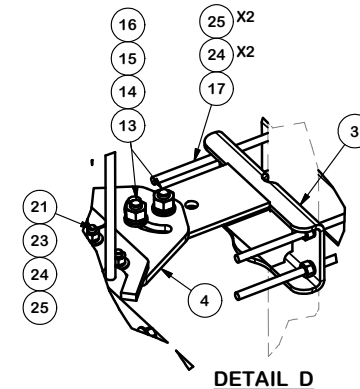
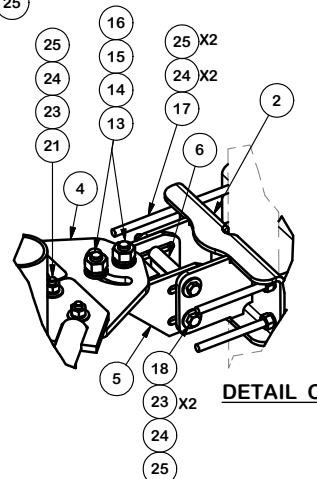
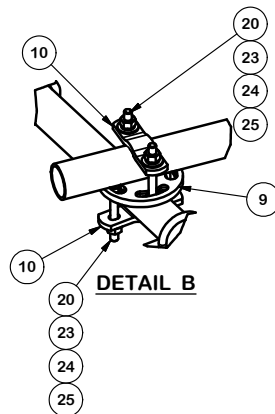
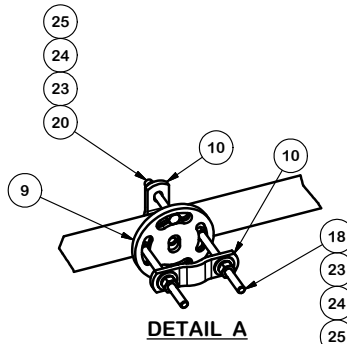


PARTS LIST						
ITEM	QTY	PART NO.	PART DESCRIPTION	LENGTH	UNIT WT.	NET WT.
1	2	X-233791	SUPPORT ARM		80.39	160.78
2	1	X-SDTFLB	DIAGONAL SLOT WELDMENT FOR BCAM SD		15.08	15.08
3	1	X-SDMHTP	MULTI-HOLE TAPER PLATE WELDMENT		16.63	16.63
4	2	X-SDPP	PIVOT PLATE	11 1/16 in	9.09	18.18
5	1	X-SDCAMSS	STRAIGHT SLOT WELDMENT FOR BCAM		8.48	8.48
6	1	X-SDCAMSP	POSITIONING PLATE WELDMENT FOR BCAM		1.43	1.43
7	2	X-LCBP2	BENT BACKING PLATE	12 in	8.86	17.73
8	2	P2108	2-3/8" X 108" SCH 40 GALVANIZED PIPE	108 in	34.93	69.86
9	2	X-127594	FLAT DISK CLAMP PLATE 4" CENTERS (GALV.)		2.51	5.01
10	4	X-100064	CLAMP (4" V-CLAMP) GALVANIZED		0.92	3.69
11	6	SCX1	CROSSOVER PLATE 2-3/8" X 2-3/8"	6 in	3.71	22.25
12	1	P2126	2-3/8" X 126" (2" SCH. 40) GALVANIZED PIPE	126 in	40.75	40.75
13	4	A34214	3/4"-10 X 2-1/4" A325 BOLT	2 1/4 in	0.47	1.89
14	4	G34FW	3/4" HDG USS FLATWASHER		0.06	0.24
15	4	G34LW	3/4" HDG LOCKWASHER		0.04	0.17
16	4	G34NUT	3/4" HDG HEAVY 2H HEX NUT		0.21	0.85
17	8	G12R-15	1/2" x 15" THREADED ROD (HDG.)		0.84	6.69
18	4	G12065	1/2" x 6-1/2" HDG HEX BOLT GR5 FULL THREAD	5 1/2 in	0.41	1.64
19	1	G12045	1/2" x 4.5" HDG HEX BOLT GR5 FULL THREAD	4 1/2 in	0.30	0.30
20	6	G1204	1/2" x 4" HDG HEX BOLT GR5 FULL THREAD	4 in	0.27	1.62
21	8	G1202	1/2" x 2" HDG HEX BOLT GR5	2 in	0.18	1.41
22	28	X-UB1212	1/2" X 2-1/2" X 4-1/2" X 2" GALV. U-BOLT		0.66	18.55
23	77	G12FW	1/2" HDG USS FLATWASHER	3/32 in	0.03	2.62
24	90	G12LW	1/2" HDG LOCKWASHER	1/8 in	0.01	1.25
25	91	G12NUT	1/2" HDG HEAVY 2H HEX NUT		0.07	6.52
					TOTAL WT. #	423.45



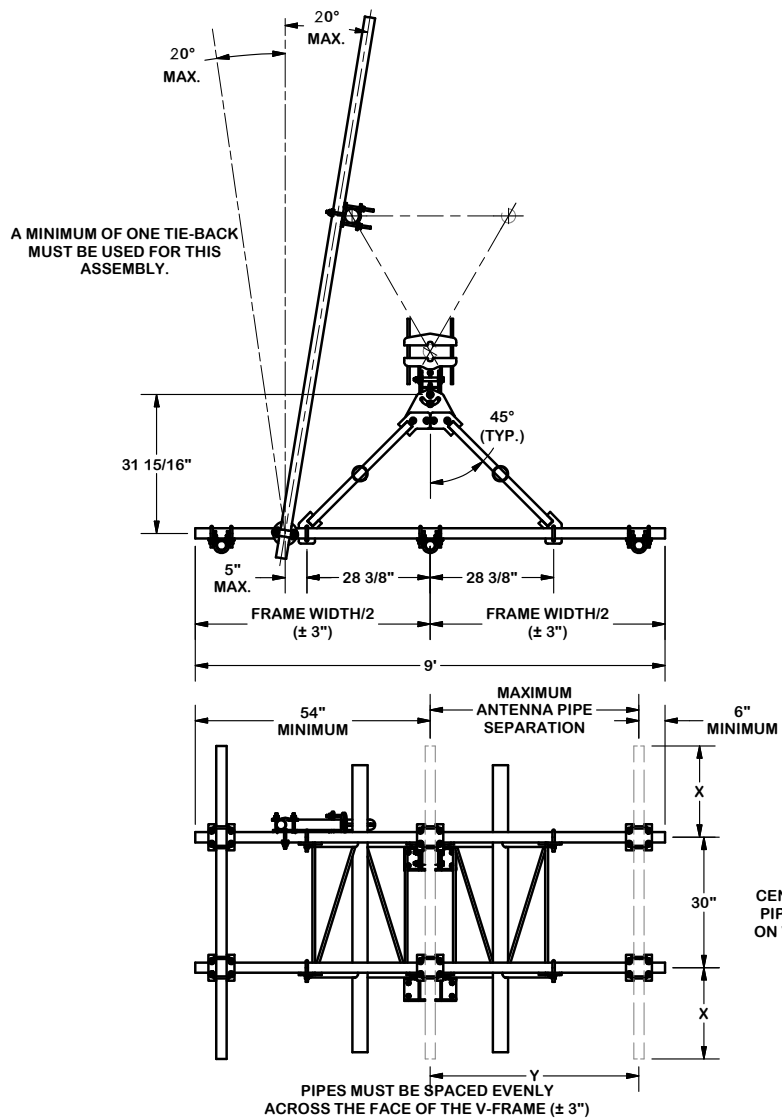
TOLERANCE NOTES
 TOLERANCES ON DIMENSIONS, UNLESS OTHERWISE NOTED ARE:
 SAWED, SHEARED AND GAS CUT EDGES ($\pm 0.030"$)
 DRILLED AND GAS CUT HOLES ($\pm 0.030"$) - NO CONING OF HOLES
 LASER CUT EDGES AND HOLES ($\pm 0.010"$) - NO CONING OF HOLES
 BENDS ARE $\pm 1/2$ DEGREE
 ALL OTHER MACHINING ($\pm 0.030"$)
 ALL OTHER ASSEMBLY ($\pm 0.060"$)

PROPRIETARY NOTE:
 THE DATA AND TECHNIQUES CONTAINED IN THIS DRAWING ARE PROPRIETARY INFORMATION OF VALMONT INDUSTRIES AND CONSIDERED A TRADE SECRET. ANY USE OR DISCLOSURE WITHOUT THE CONSENT OF VALMONT INDUSTRIES IS STRICTLY PROHIBITED.

DESCRIPTION		8' V-FRAME ASSEMBLY W/ STIFF ARM AND RRU MOUNTING PIPE	
CPD NO.	DRAWN BY	ENG. APPROVAL	
10142	CEK 6/14/2017		
CLASS	DRAWING USAGE	CHECKED BY	
81	CUSTOMER	BMC 8/22/2018	

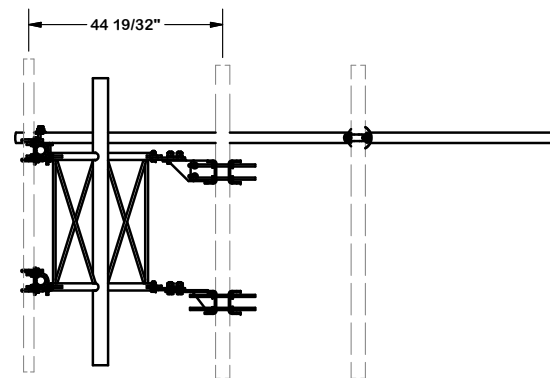
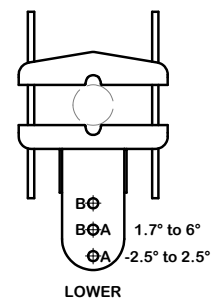
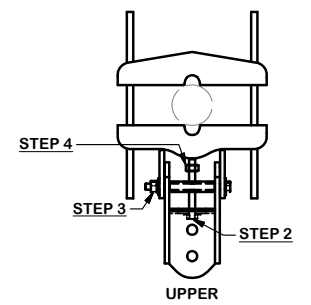
 A valmont COMPANY	Locations: New York, NY Atlanta, GA Los Angeles, CA Plymouth, IN Salem, OR Dallas, TX
	Engineering Support Team: 1-888-753-7446
PART NO.	VFA8-RRU
DWG. NO.	VFA8-RRU

REV	DESCRIPTION OF REVISIONS	CPD	BY	DATE
A	UPDATED BCAM VERSION 1 TO BCAM VERSION 2	10142	CEK	8/22/2018
REVISION HISTORY				



ANGLE CALIBRATING PROCEDURE:

1. MEASURE TOWER TAPER AND PICK LOWER BRACKET HOLE:
 - HOLE A = -2.5° TO 2.5°
 - HOLE B = 1.7° TO 6°
2. USE CALIBRATING BOLT TO ADJUST FRAME TO DESIRED TAPER
3. TORQUE LOCKING BOLTS TO 50 ft.-lbs.
4. ADVANCE LOCKING NUT TO POSITIONING PLATE, THEN TIGHTEN.



TOLERANCE NOTES

TOLERANCES ON DIMENSIONS, UNLESS OTHERWISE NOTED ARE:
 SAWED, SHEARED AND GAS CUT EDGES (± 0.030 ")
 DRILLED AND GAS CUT HOLES (± 0.030 ") - NO CONING OF HOLES
 LASER CUT EDGES AND HOLES (± 0.010 ") - NO CONING OF HOLES
 BENDS ARE $\pm 1/2$ DEGREE
 ALL OTHER MACHINING (± 0.030 ")
 ALL OTHER ASSEMBLY (± 0.060 ")

PROPRIETARY NOTE:
 THE DATA AND TECHNIQUES CONTAINED IN THIS DRAWING ARE PROPRIETARY INFORMATION OF VALMONT INDUSTRIES AND CONSIDERED A TRADE SECRET. ANY USE OR DISCLOSURE WITHOUT THE CONSENT OF VALMONT INDUSTRIES IS STRICTLY PROHIBITED.

DESCRIPTION	
8' V-FRAME ASSEMBLY W/ STIFF ARM AND RRU MOUNTING PIPE	

CPD NO.	DRAWN BY	ENG. APPROVAL
10142	CEK 6/14/2017	
CLASS	DRAWING USAGE	CHECKED BY
81	CUSTOMER	BMC 8/22/2018

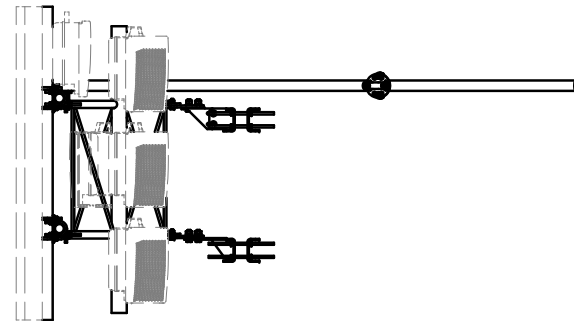
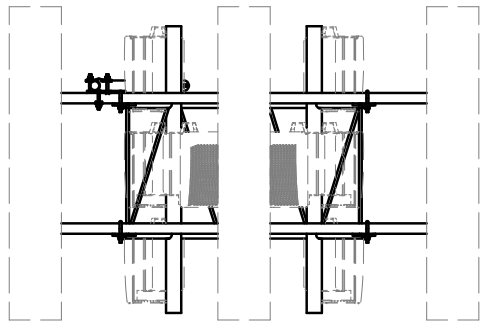
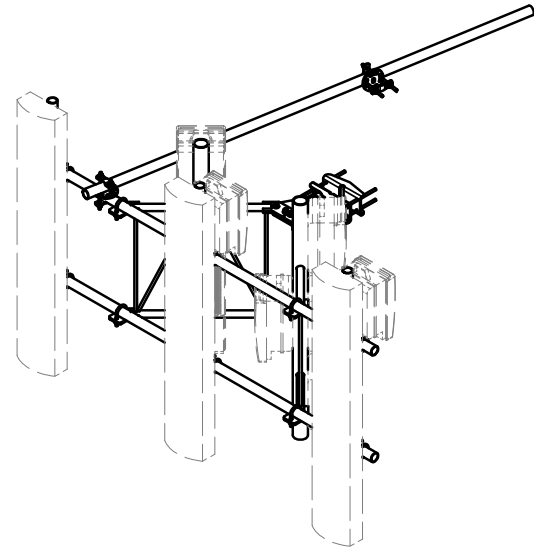
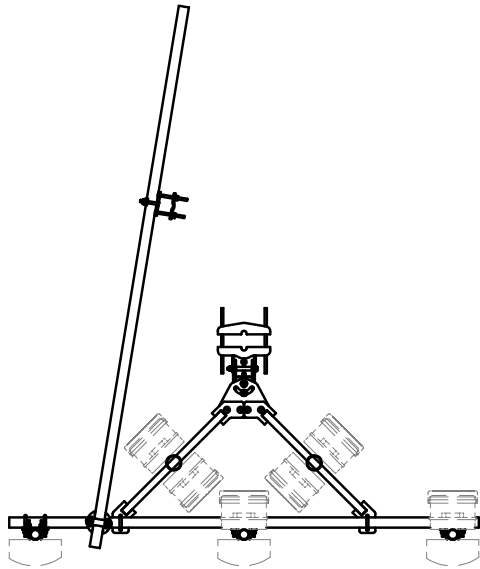
SITE PRO 1
 A valmont COMPANY

Locations:
 New York, NY
 Atlanta, GA
 Los Angeles, CA
 Plymouth, IN
 Salem, OR
 Dallas, TX

Engineering Support Team:
 1-888-753-7446

REV	DESCRIPTION OF REVISIONS	CPD	BY	DATE
A	UPDATED BCAM VERSION 1 TO BCAM VERSION 2	10142	CEK	8/22/2018
REVISION HISTORY				

PART NO.	VFA8-RRU	PAGE
DWG. NO.	VFA8-RRU	2 OF 3



TOLERANCE NOTES

**TOLERANCES ON DIMENSIONS, UNLESS OTHERWISE NOTED ARE:
 SAWED, SHEARED AND GAS CUT EDGES ($\pm 0.030"$)
 DRILLED AND GAS CUT HOLES ($\pm 0.030"$) - NO CONING OF HOLES
 LASER CUT EDGES AND HOLES ($\pm 0.010"$) - NO CONING OF HOLES
 BENDS ARE $\pm 1/2$ DEGREE
 ALL OTHER MACHINING ($\pm 0.030"$)
 ALL OTHER ASSEMBLY ($\pm 0.060"$)**

**PROPRIETARY NOTE:
 THE DATA AND TECHNIQUES CONTAINED IN THIS DRAWING ARE PROPRIETARY INFORMATION OF VALMONT
 INDUSTRIES AND CONSIDERED A TRADE SECRET. ANY USE OR DISCLOSURE WITHOUT THE CONSENT OF
 VALMONT INDUSTRIES IS STRICTLY PROHIBITED.**

DESCRIPTION
 8' V-FRAME ASSEMBLY W/ STIFF ARM
 AND RRU MOUNTING PIPE

SITE PRO 1
 Engineering
 Support Team:
 1-888-753-7446

Locations:
 New York, NY
 Atlanta, GA
 Los Angeles, CA
 Plymouth, IN
 Salem, OR
 Dallas, TX

A valmont COMPANY

REV	DESCRIPTION OF REVISIONS	CPD	BY	DATE
A	UPDATED BCAM VERSION 1 TO BCAM VERSION 2	10142	CEK	8/22/2018

REVISION HISTORY

CPD NO.	DRAWN BY	ENG. APPROVAL
10142	CEK 6/14/2017	
CLASS	SUB	DRAWING USAGE
81	01	CUSTOMER
CHECKED BY	DATE	
BMC	8/22/2018	

PART NO.	DWG. NO.
VFA8-RRU	VFA8-RRU