

PARTS LIST						
ITEM	QTY	PART NO.	PART DESCRIPTION	LENGTH	UNIT WT.	NET WT.
1	2	X-VFASD	SUPPORT ARM FOR STANDARD DUTY V-FRAME ASSEMBLY		45.34	90.69
2	1	X-SDTFLB	DIAGONAL SLOT WELDMNT FOR BCAM SD		15.08	15.08
3	1	X-SDMHTP	MULTI-HOLE TAPER PLATE WELDMNT		16.63	16.63
4	2	X-SDPP	PIVOT PLATE	11 1/16 in	9.09	18.18
5	2	X-LCBP2	BENT BACKING PLATE	12 in	8.86	17.73
6	1	X-SDCAMSS	STRAIGHT SLOT WELDMNT FOR BCAM		8.48	8.48
7	4	X-SPTB	SLIDING PIPE TIE BACK PLATE	5 1/2 in	5.87	23.49
8	1	X-SDCAMSP	POSITIONING PLATE WELDMNT FOR BCAM		1.43	1.43
9	4	X-TBCA	TIE BACK CLIP ANGLE		2.01	8.02
10	6	SCX1	CROSSOVER PLATE 2-3/8" X 2-3/8"	6 in	3.71	22.25
11	4	MCP	CLAMP HALF 1/2" THICK, 11-5/8" LONG	12 1/16 in	3.59	14.37
12	8	DCP	1/2" THICK, 5-3/4" CNTR TO CENTER CLAMP HALF	8 1/8 in	2.36	18.90
13	2	P2108	2-3/8" X 108" SCH 40 GALVANIZED PIPE	108 in	34.93	69.86
14	2	P2126	2-3/8" X 126" (2" SCH. 40) GALVANIZED PIPE	126 in	40.75	81.50
15	4	A34214	3/4"-10 X 2-1/4" A325 BOLT	2 1/4 in	0.47	1.89
16	4	G34FW	3/4" HDG USS FLATWASHER		0.06	0.24
17	4	G34LW	3/4" HDG LOCKWASHER		0.04	0.17
18	4	G34NUT	3/4" HDG HEAVY 2H HEX NUT		0.21	0.85
19	8	G58R-12	5/8" x 12" THREADED ROD (HDG.)		1.05	8.36
20	4	G58R-8	5/8" x 8" THREADED ROD (HDG.)		0.70	2.79
21	8	X-UB5258	5/8" X 2-5/8" X 4-1/2" X 2" U-BOLT (HDG.)		1.00	8.00
22	8	G5804	5/8" x 4" HDG HEX BOLT GR5		0.44	3.55
23	4	G5802	5/8" x 2" HDG HEX BOLT GR5		0.27	1.08
24	20	G58FW	5/8" HDG USS FLATWASHER	1/8 in	0.07	1.41
25	32	G58LW	5/8" HDG LOCKWASHER		0.03	0.83
26	36	G58NUT	5/8" HDG HEAVY 2H HEX NUT		0.13	4.68
27	8	G12R-15	1/2" x 15" THREADED ROD (HDG.)		0.84	6.69
28	28	X-UB1212	1/2" X 2-1/2" X 4-1/2" X 2" GALV. U-BOLT		0.66	18.55
29	2	G12065	1/2" x 6-1/2" HDG HEX BOLT GR5 FULL THREAD	5 1/2 in	0.41	0.82
30	1	G12045	1/2" x 4.5" HDG HEX BOLT GR5 FULL THREAD	4 1/2 in	0.30	0.30
31	8	G1202	1/2" x 2" HDG HEX BOLT GR5	2 in	0.18	1.41
32	69	G12FW	1/2" HDG USS FLATWASHER	3/32 in	0.03	2.35
33	82	G12LW	1/2" HDG LOCKWASHER	1/8 in	0.01	1.14
34	83	G12NUT	1/2" HDG HEAVY 2H HEX NUT		0.07	5.95
					TOTAL WT. #	477.66

TOLERANCE NOTES

TOLERANCES ON DIMENSIONS, UNLESS OTHERWISE NOTED ARE:
 SAWED, SHEARED AND GAS CUT EDGES ($\pm 0.030"$)
 DRILLED AND GAS CUT HOLES ($\pm 0.030"$) - NO CONING OF HOLES
 LASER CUT EDGES AND HOLES ($\pm 0.010"$) - NO CONING OF HOLES
 BENDS ARE $\pm 1/2$ DEGREE
 ALL OTHER MACHINING ($\pm 0.030"$)
 ALL OTHER ASSEMBLY ($\pm 0.060"$)

PROPRIETARY NOTE:
 THE DATA AND TECHNIQUES CONTAINED IN THIS DRAWING ARE PROPRIETARY INFORMATION OF VALMONT INDUSTRIES AND CONSIDERED A TRADE SECRET. ANY USE OR DISCLOSURE WITHOUT THE CONSENT OF VALMONT INDUSTRIES IS STRICTLY PROHIBITED.

DESCRIPTION
 8' STANDARD DUTY
 V-FRAME ASSEMBLY
 W/ 2 STIFF ARMS

SITE PRO 1
 Engineering Support Team:
 1-888-753-7446

Locations:
 New York, NY
 Atlanta, GA
 Los Angeles, CA
 Plymouth, IN
 Salem, OR
 Dallas, TX

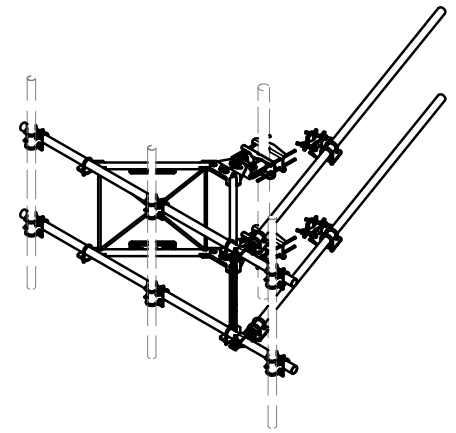
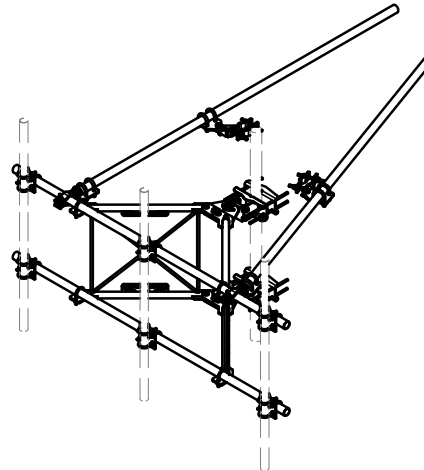
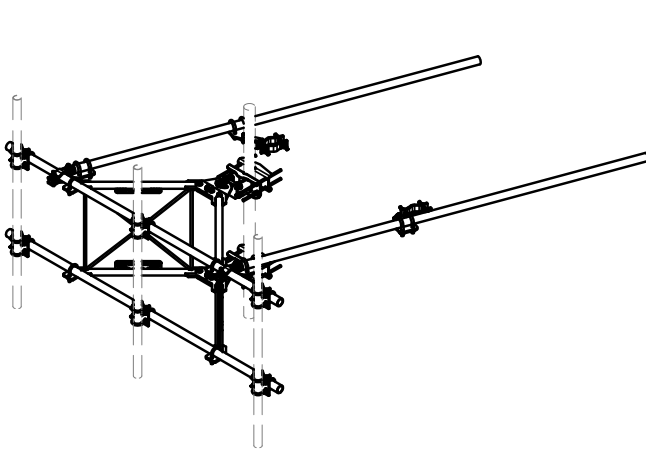
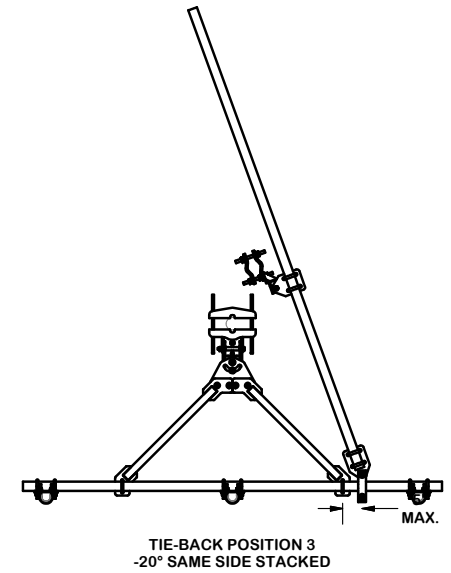
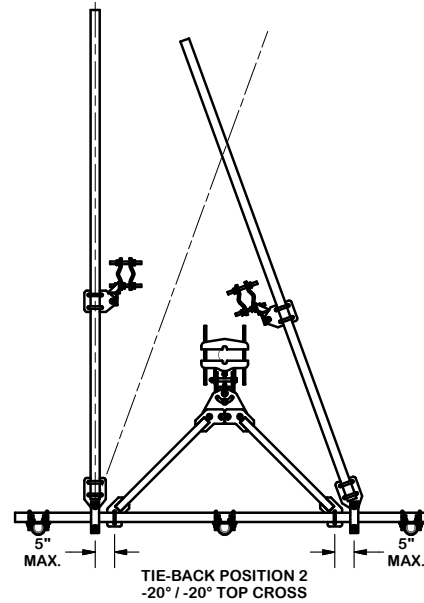
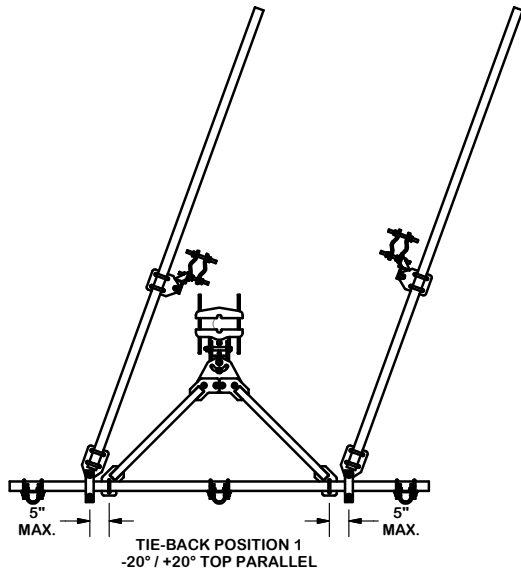
A valmont COMPANY

REV	DESCRIPTION OF REVISIONS	CPD	BY	DATE
A	UPDATED BCAM VERSION 1 TO BCAM VERSION 2		CEK	8/16/2018
REVISION HISTORY				

CPD NO.	DRAWN BY	ENG. APPROVAL
	CEK 11/3/2016	
CLASS	SUB	DRAWING USAGE
81	02	CUSTOMER

PART NO.	DWG. NO.
VFA8-SD	VFA8-SD

TIE-BACK POSITIONS



TOLERANCE NOTES

TOLERANCES ON DIMENSIONS, UNLESS OTHERWISE NOTED ARE:
 SAWED, SHEARED AND GAS CUT EDGES ($\pm 0.030"$)
 DRILLED AND GAS CUT HOLES ($\pm 0.030"$) - NO CONING OF HOLES
 LASER CUT EDGES AND HOLES ($\pm 0.010"$) - NO CONING OF HOLES
 BENDS ARE $\pm 1/2$ DEGREE
 ALL OTHER MACHINING ($\pm 0.030"$)
 ALL OTHER ASSEMBLY ($\pm 0.060"$)

PROPRIETARY NOTE:
 THE DATA AND TECHNIQUES CONTAINED IN THIS DRAWING ARE PROPRIETARY INFORMATION OF VALMONT INDUSTRIES AND CONSIDERED A TRADE SECRET. ANY USE OR DISCLOSURE WITHOUT THE CONSENT OF VALMONT INDUSTRIES IS STRICTLY PROHIBITED.

DESCRIPTION

8' STANDARD DUTY
 V-FRAME ASSEMBLY
 W/ 2 STIFF ARMS



Engineering Support Team:
 1-888-753-7446

Locations:
 New York, NY
 Atlanta, GA
 Los Angeles, CA
 Plymouth, IN
 Salem, OR
 Dallas, TX

A valmont COMPANY

REV	DESCRIPTION OF REVISIONS	CPD	BY	DATE
A	UPDATED BCAM VERSION 1 TO BCAM VERSION 2		CEK	8/16/2018

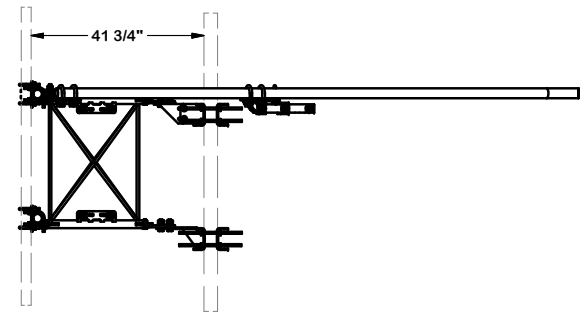
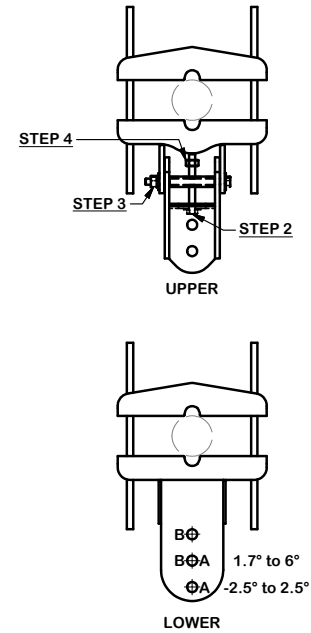
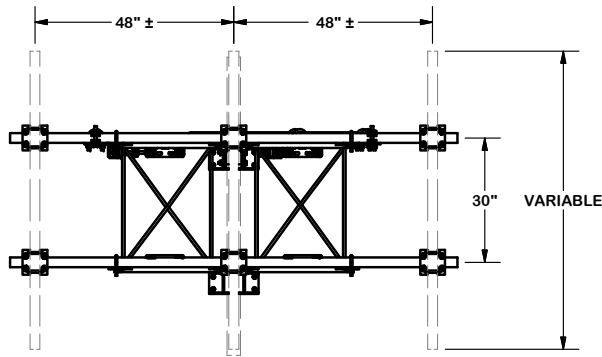
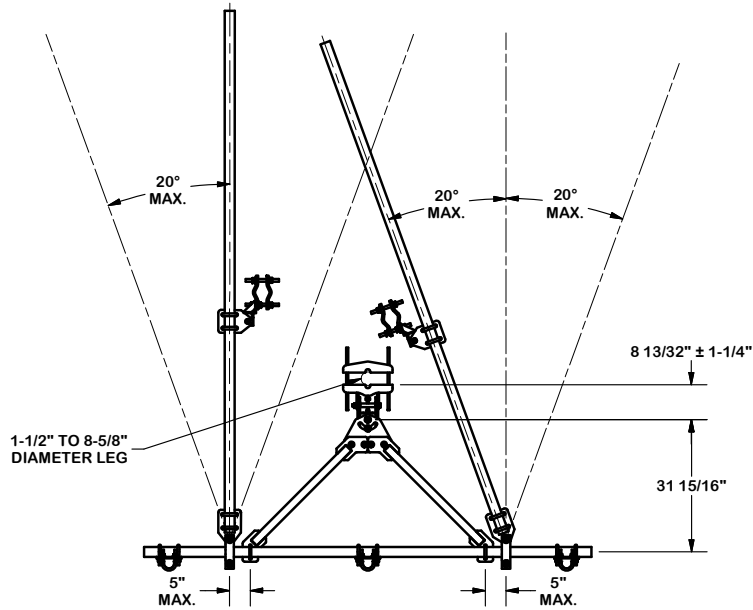
REVISION HISTORY

CPD NO.	DRAWN BY	ENG. APPROVAL
	CEK 11/3/2016	
CLASS	SUB	DRAWING USAGE
81	02	CUSTOMER

PART NO.	DWG. NO.
VFA8-SD	VFA8-SD

ANGLE CALIBRATING PROCEDURE:

1. MEASURE TOWER TAPER AND PICK LOWER BRACKET HOLE:
 - HOLE A = -2.5° TO 2.5°
 - HOLE B = 1.7° TO 6°
2. USE CALIBRATING BOLT TO ADJUST FRAME TO DESIRED TAPER
3. TORQUE LOCKING BOLTS TO 50 ft.-lbs.
4. ADVANCE LOCKING NUT TO POSITIONING PLATE, THEN TIGHTEN.



TOLERANCE NOTES

TOLERANCES ON DIMENSIONS, UNLESS OTHERWISE NOTED ARE:
 SAWED, SHEARED AND GAS CUT EDGES ($\pm 0.030"$)
 DRILLED AND GAS CUT HOLES ($\pm 0.030"$) - NO CONING OF HOLES
 LASER CUT EDGES AND HOLES ($\pm 0.010"$) - NO CONING OF HOLES
 BENDS ARE $\pm 1/2$ DEGREE
 ALL OTHER MACHINING ($\pm 0.030"$)
 ALL OTHER ASSEMBLY ($\pm 0.060"$)

PROPRIETARY NOTE:
 THE DATA AND TECHNIQUES CONTAINED IN THIS DRAWING ARE PROPRIETARY INFORMATION OF VALMONT INDUSTRIES AND CONSIDERED A TRADE SECRET. ANY USE OR DISCLOSURE WITHOUT THE CONSENT OF VALMONT INDUSTRIES IS STRICTLY PROHIBITED.

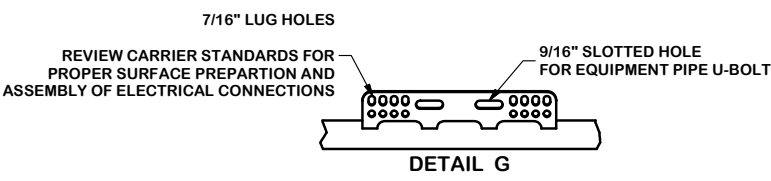
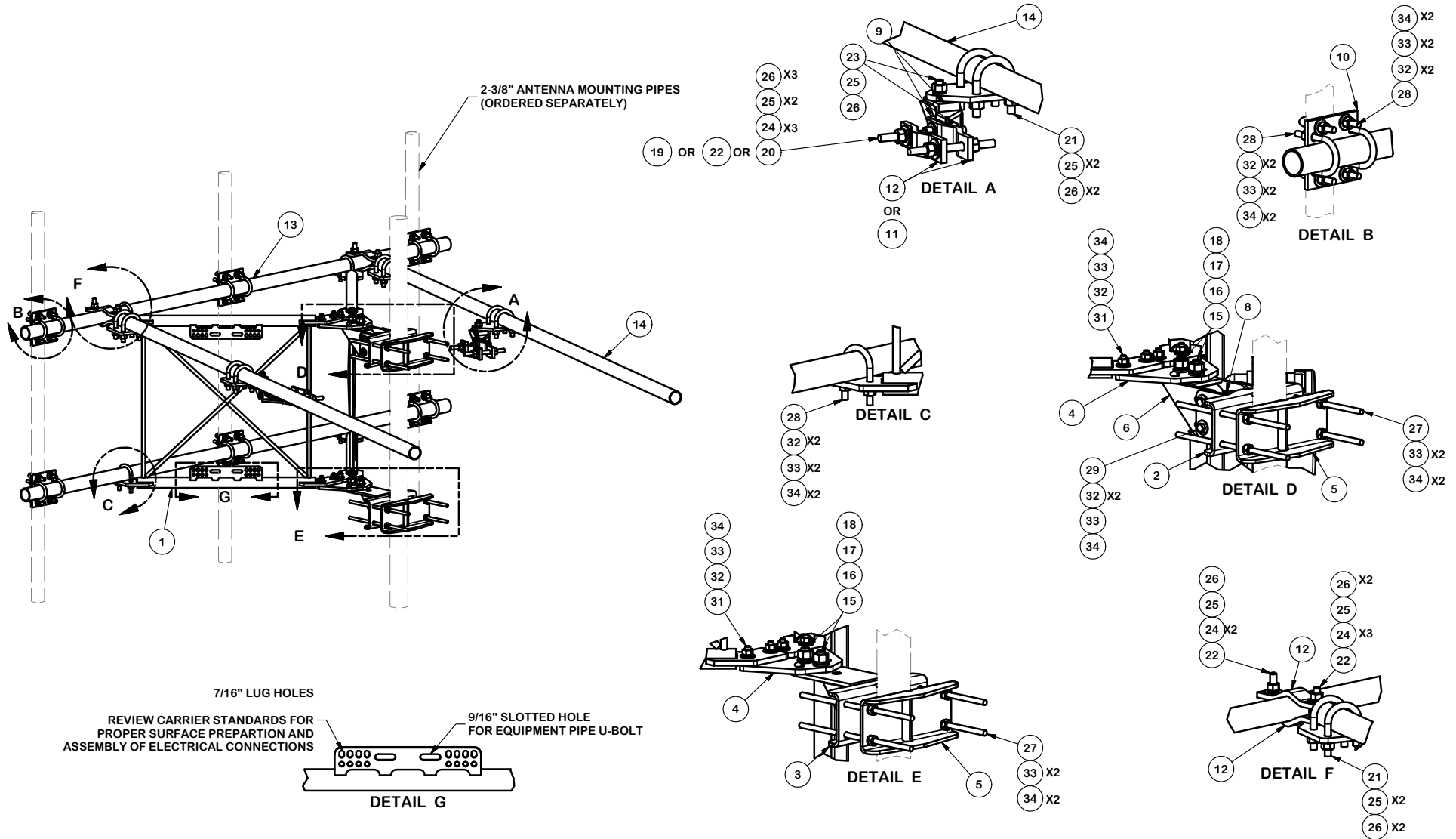
DESCRIPTION
 8' STANDARD DUTY
 V-FRAME ASSEMBLY
 W/ 2 STIFF ARMS

CPD NO.	DRAWN BY	ENG. APPROVAL
CLASS	CEK	11/3/2016
SUB	DRAWING USAGE	CHECKED BY
81	02	CUSTOMER

SITE PRO 1
 Engineering Support Team:
 1-888-753-7446
 Locations:
 New York, NY
 Atlanta, GA
 Los Angeles, CA
 Plymouth, IN
 Salem, OR
 Dallas, TX

A	UPDATED BCAM VERSION 1 TO BCAM VERSION 2	CEK	8/16/2018
REV	DESCRIPTION OF REVISIONS	CPD	BY
REVISION HISTORY			

PART NO.	VFA8-SD	PAGE
DWG. NO.	VFA8-SD	3 OF 5



TOLERANCE NOTES

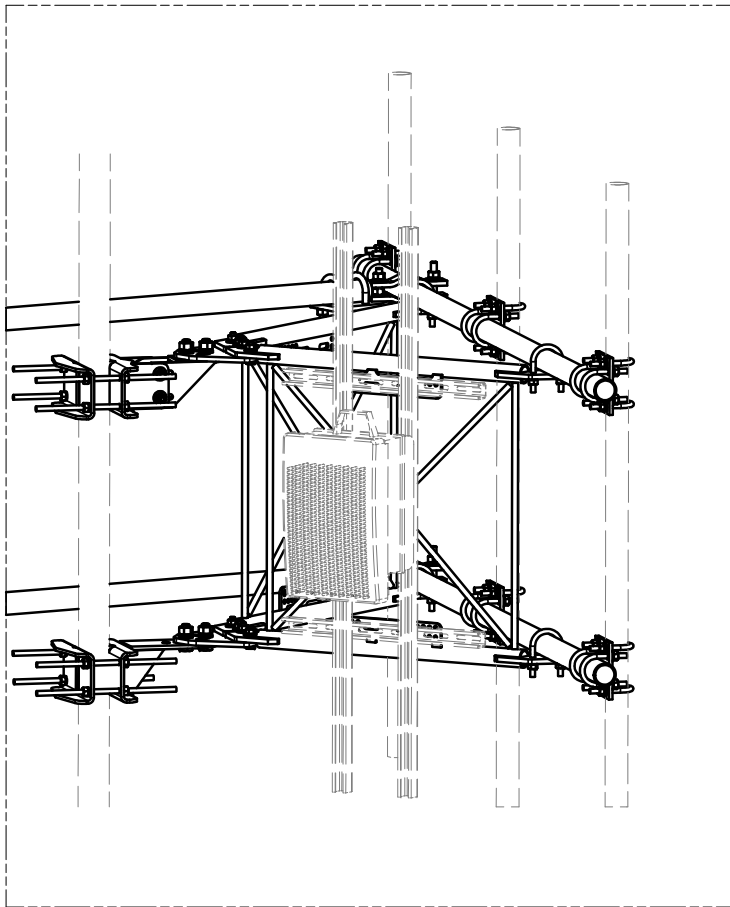
TOLERANCES ON DIMENSIONS, UNLESS OTHERWISE NOTED ARE:
 SAWED, SHEARED AND GAS CUT EDGES (± 0.030 ")
 DRILLED AND GAS CUT HOLES (± 0.030 ") - NO CONING OF HOLES
 LASER CUT EDGES AND HOLES (± 0.010 ") - NO CONING OF HOLES
 BENDS ARE $\pm 1/2$ DEGREE
 ALL OTHER MACHINING (± 0.030 ")
 ALL OTHER ASSEMBLY (± 0.060 ")

PROPRIETARY NOTE:
 THE DATA AND TECHNIQUES CONTAINED IN THIS DRAWING ARE PROPRIETARY INFORMATION OF VALMONT INDUSTRIES AND CONSIDERED A TRADE SECRET. ANY USE OR DISCLOSURE WITHOUT THE CONSENT OF VALMONT INDUSTRIES IS STRICTLY PROHIBITED.

DESCRIPTION		8' STANDARD DUTY V-FRAME ASSEMBLY W/ 2 STIFF ARMS	
CPD NO.	DRAWN BY	ENG. APPROVAL	
	CEK	11/3/2016	
CLASS	SUB	DRAWING USAGE	CHECKED BY
81	02	CUSTOMER	

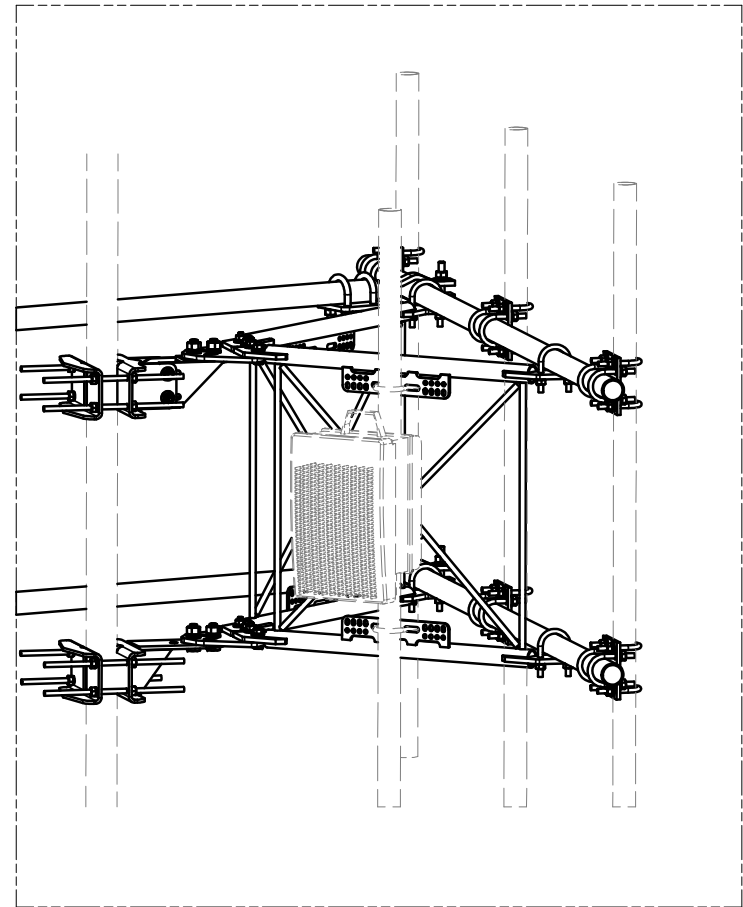
 A valmont COMPANY	Locations: New York, NY Atlanta, GA Los Angeles, CA Plymouth, IN Salem, OR Dallas, TX
	Engineering Support Team: 1-888-753-7446
PART NO.	VFA8-SD
DWG. NO.	VFA8-SD

A	UPDATED BCAM VERSION 1 TO BCAM VERSION 2	CPD	BY	8/16/2018
REV	DESCRIPTION OF REVISIONS	CPD	BY	DATE
REVISION HISTORY				



UNISTRUT AND HARDWARE
SOLD SEPARATELY.

REQUIRES 3/8" HARDWARE



EQUIPMENT PIPE AND HARDWARE
SOLD SEPARATELY.

REQUIRES 1/2" HARDWARE
AND 2-3/8" TO 4-1/2" O.D. PIPE

TOLERANCE NOTES

TOLERANCES ON DIMENSIONS, UNLESS OTHERWISE NOTED ARE:
 SAWED, SHEARED AND GAS CUT EDGES ($\pm 0.030"$)
 DRILLED AND GAS CUT HOLES ($\pm 0.030"$) - NO CONING OF HOLES
 LASER CUT EDGES AND HOLES ($\pm 0.010"$) - NO CONING OF HOLES
 BENDS ARE $\pm 1/2$ DEGREE
 ALL OTHER MACHINING ($\pm 0.030"$)
 ALL OTHER ASSEMBLY ($\pm 0.060"$)

PROPRIETARY NOTE:
 THE DATA AND TECHNIQUES CONTAINED IN THIS DRAWING ARE PROPRIETARY INFORMATION OF VALMONT
 INDUSTRIES AND CONSIDERED A TRADE SECRET. ANY USE OR DISCLOSURE WITHOUT THE CONSENT OF
 VALMONT INDUSTRIES IS STRICTLY PROHIBITED.

DESCRIPTION
 8' STANDARD DUTY
 V-FRAME ASSEMBLY
 W/ 2 STIFF ARMS

SITE PRO 1
 A valmont COMPANY

Locations:
 New York, NY
 Atlanta, GA
 Los Angeles, CA
 Plymouth, IN
 Salem, OR
 Dallas, TX

Engineering
 Support Team:
 1-888-753-7446

REV	DESCRIPTION OF REVISIONS	CPD	BY	DATE
A	UPDATED BCAM VERSION 1 TO BCAM VERSION 2		CEK	8/16/2018
REVISION HISTORY				

CPD NO.	DRAWN BY	ENG. APPROVAL
	CEK 11/3/2016	
CLASS	SUB	DRAWING USAGE
81	02	CUSTOMER
		CHECKED BY

PART NO.
VFA8-SD
DWG. NO.
VFA8-SD