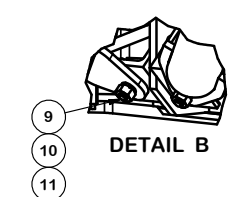
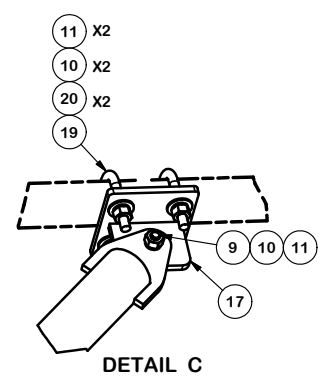
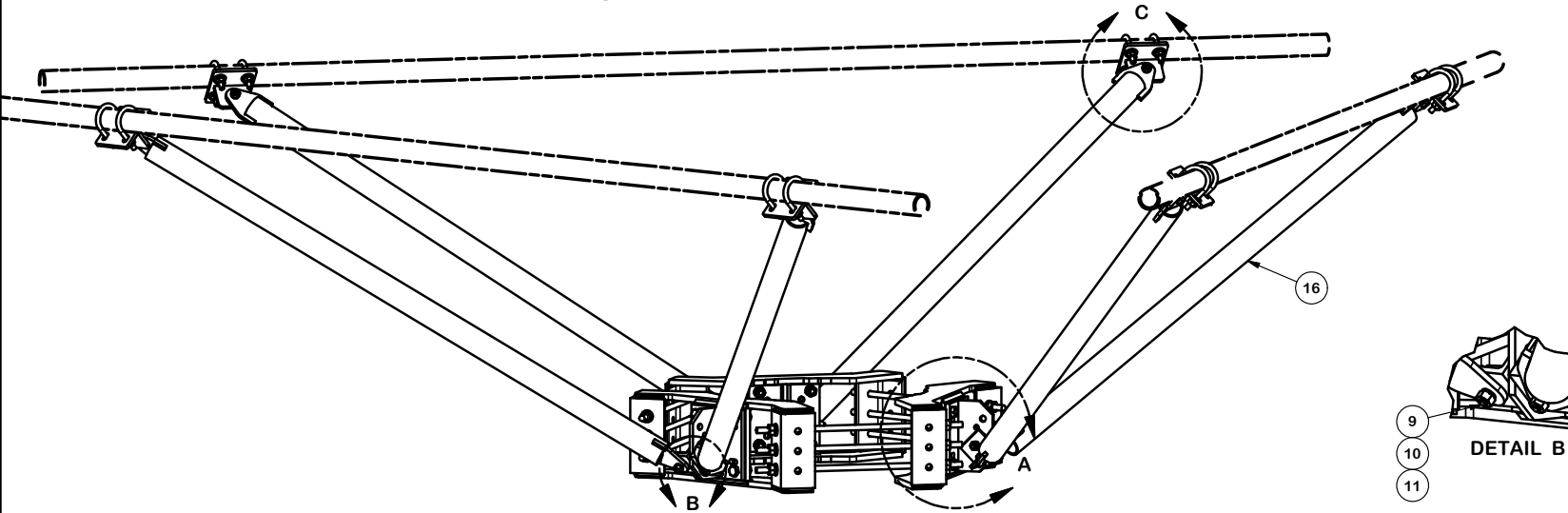


PARTS LIST						
ITEM	QTY	PART NO.	PART DESCRIPTION	LENGTH	UNIT WT.	NET WT.
1	3	X-LWRM	RING MOUNT WELDMENT		68.81	206.42
16	6	X-VSKL	LONG SUPPORT WELDMENT FOR VSK REINFORCEMENTS		37.05	222.33
8	3	X-TBW	T-BRACKET WELDMENT		13.60	40.80
17	6	X-VSKBRKT	T-BRACKET WELDMENT FOR VSK REINFORCEMENTS		4.19	25.13
14	6	SHCM-T	CHAIN MOUNT TIGHTENER BRACKET	3 in	1.86	11.15
5	9	G58R-24	5/8" x 24" THREADED ROD (HDG.)		2.09	18.82
6	9	G58R-48	5/8" x 48" THREADED ROD (HDG.)		4.18	37.63
2	18	A58FW	5/8" HDG A325 FLATWASHER		0.03	0.61
12	12	A582114	5/8" x 2-1/4" HDG A325 HEX BOLT	2 1/4 in	0.31	3.75
3	30	G58LW	5/8" HDG LOCKWASHER		0.03	0.78
13	12	G58NUT	5/8" HDG HEAVY 2H HEX NUT		0.13	1.56
4	18	A58NUT	5/8" HDG A325 HEX NUT		0.13	2.34
19	12	X-UB1212	1/2" X 2-1/2" X 4-1/2" X 2" U-BOLT (HDG.)		0.60	7.17
15	3	G12212	1/2" x 2-1/2" HDG HEX BOLT GR5	2 1/2 in	0.20	0.61
9	12	G12112	1/2" x 1-1/2" HDG HEX BOLT GR5	1/2 in	0.15	1.77
20	24	G12FW	1/2" HDG USS FLATWASHER	3/32 in	0.03	0.82
10	39	G12LW	1/2" HDG LOCKWASHER	1/8 in	0.01	0.54
11	39	G12NUT	1/2" HDG HEAVY 2H HEX NUT		0.07	2.79
					TOTAL WT. #	585.03



TOLERANCE NOTES

TOLERANCES ON DIMENSIONS, UNLESS OTHERWISE NOTED ARE:
 SAWED, SHEARED AND GAS CUT EDGES ($\pm 0.030"$)
 DRILLED AND GAS CUT HOLES ($\pm 0.030"$) - NO CONING OF HOLES
 LASER CUT EDGES AND HOLES ($\pm 0.010"$) - NO CONING OF HOLES
 BENDS AND ANGLES ARE $\pm 1/2$ DEGREE
 ALL OTHER MACHINING ($\pm 0.030"$)
 ALL OTHER ASSEMBLY ($\pm 0.060"$)

PROPRIETARY NOTE:
 THE DATA AND TECHNIQUES CONTAINED IN THIS DRAWING ARE PROPRIETARY INFORMATION OF VALMONT INDUSTRIES AND CONSIDERED A TRADE SECRET. ANY USE OR DISCLOSURE WITHOUT THE CONSENT OF VALMONT INDUSTRIES IS STRICTLY PROHIBITED.

DESCRIPTION		V-STYLE MONOPOLE REINFORCEMENT KITS - LONG	
CPD NO.	DRAWN BY	ENG. APPROVAL	
	CEK 8/28/2019		
CLASS	SUB	DRAWING USAGE	CHECKED BY
81	01	CUSTOMER	BMC 8/29/2019

<p>Engineering Support Team: 1-888-753-7446</p> <p>A valmont COMPANY</p>	Locations: New York, NY Atlanta, GA Los Angeles, CA Plymouth, IN Salem, OR Dallas, TX Tampa, FL
	<p>PART NO. VSK-MHDL</p> <p>DWG. NO. VSK-MHDL</p>