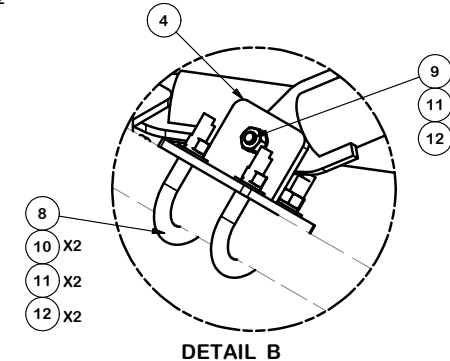
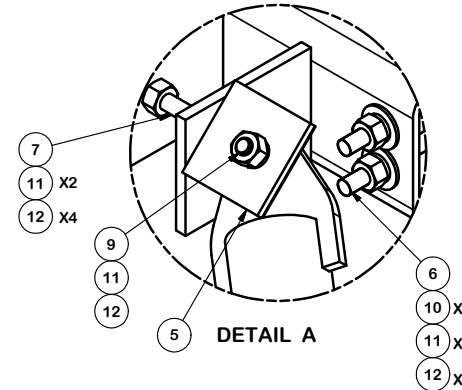


SECTOR FRAME REINFORCING KIT ATTACHES TO EITHER EXISTING 2-3/8" OR 2-7/8" SECTOR FRAME CROSS ARMS OR TO AN OPTIONAL 2-2/3" OR 2-7/8" HORIZONTAL ROUND MEMBER (SHOWN, SOLD SEPARATELY). IF PURCHASING OPTIONAL HORIZONTAL ROUND MEMBER, CORRESPONDING CROSSOVER PLATE KITS WILL NEED TO BE PURCHASED, ONE PER EXISTING ANTENNA MOUNTING PIPE.

PARTS LIST						
ITEM	QTY	PART NO.	PART DESCRIPTION	LENGTH	UNIT WT.	NET WT.
1	4	X-VSK	SUPPORT WELDMENT FOR VSK REINFORCEMENTS		27.05	108.21
2	2	CFS	LOWER GATE FOOT WELDMENT		12.72	25.45
3	2	GBB	GATE BACKING BAR	11 1/2 in	4.53	9.06
4	4	X-VSKBRKT	T-BRACKET WELDMENT FOR VSK REINFORCEMENTS		4.19	16.76
5	4	SHCM-T	CHAIN MOUNT TIGHTENER BRACKET	3 in	1.86	7.43
6	8	G12R-15	1/2" x 15" THREADED ROD (HDG.)		0.84	6.69
6	8	G12R-12	1/2" x 12" THREADED ROD (HDG.)		0.67	5.35
7	2	G12R-6	1/2" x 6" GALV. THREADED ROD		0.33	0.67
8	8	X-UB1212	1/2" X 2-1/2" X 4-1/2" X 2" U-BOLT (HDG.)		0.60	4.78
8	8	X-UB1300	1/2" X 3" X 5" X 2" U-BOLT (HDG.)		0.67	5.35
9	8	G12112	1/2" x 1-1/2" HDG HEX BOLT GR5	1/2 in	0.15	1.18
10	32	G12FW	1/2" HDG USS FLATWASHER	3/32 in	0.03	1.09
11	44	G12LW	1/2" HDG LOCKWASHER	1/8 in	0.01	0.61
12	48	G12NUT	1/2" HDG HEAVY 2H HEX NUT		0.07	3.44
					<b>TOTAL WT. #</b>	<b>196.07</b>



#### TOLERANCE NOTES

TOLERANCES ON DIMENSIONS, UNLESS OTHERWISE NOTED ARE:  
 SAWED, SHEARED AND GAS CUT EDGES ( $\pm 0.030"$ )  
 DRILLED AND GAS CUT HOLES ( $\pm 0.030"$ ) - NO CONING OF HOLES  
 LASER CUT EDGES AND HOLES ( $\pm 0.010"$ ) - NO CONING OF HOLES  
 BENDS ARE  $\pm 1/2$  DEGREE  
 ALL OTHER MACHINING ( $\pm 0.030"$ )  
 ALL OTHER ASSEMBLY ( $\pm 0.060"$ )

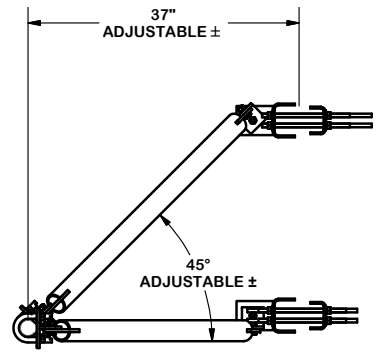
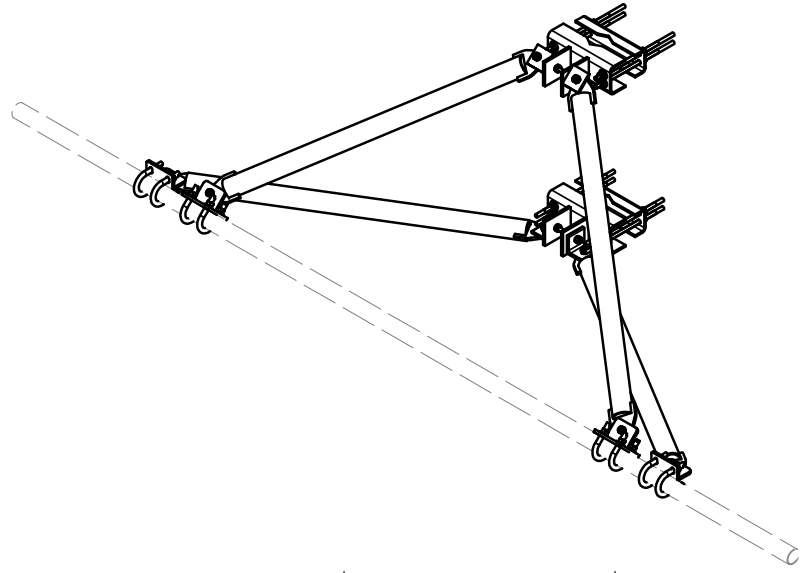
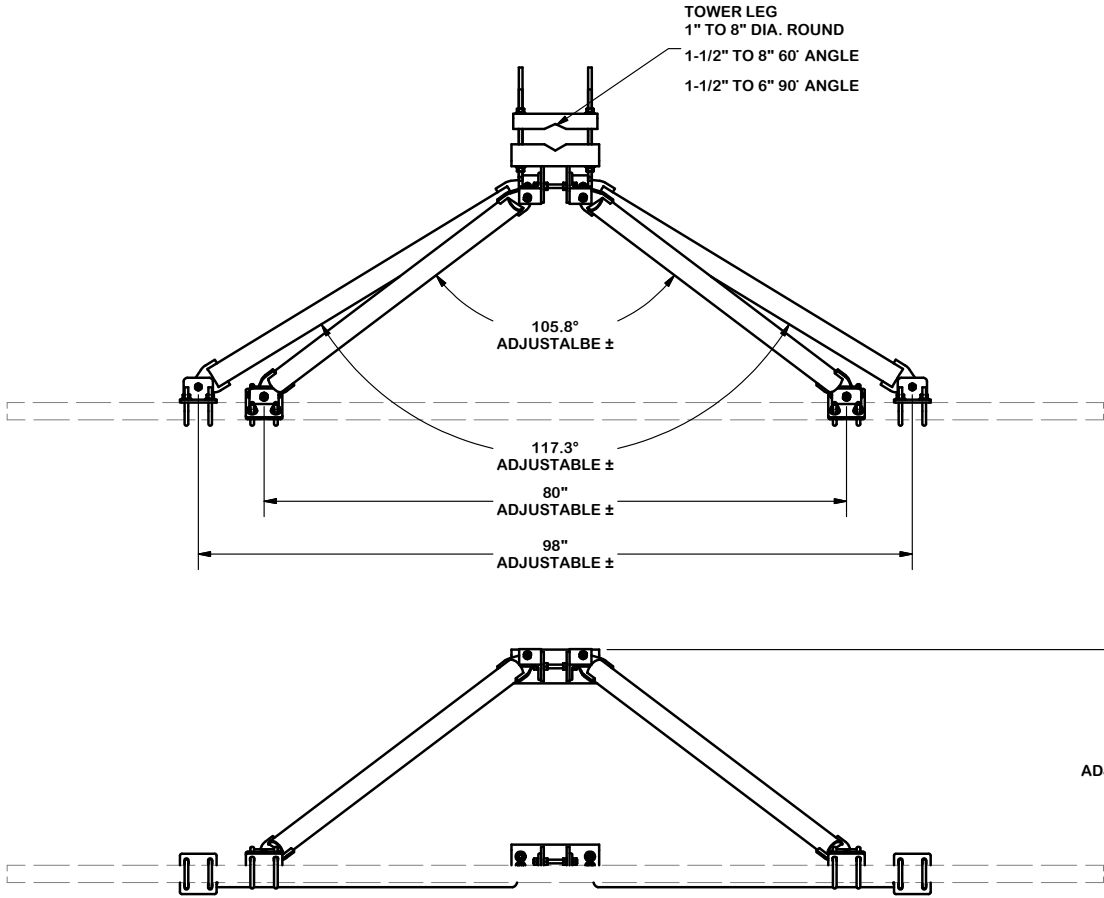
PROPRIETARY NOTE:  
 THE DATA AND TECHNIQUES CONTAINED IN THIS DRAWING ARE PROPRIETARY INFORMATION OF VALMONT INDUSTRIES AND CONSIDERED A TRADE SECRET. ANY USE OR DISCLOSURE WITHOUT THE CONSENT OF VALMONT INDUSTRIES IS STRICTLY PROHIBITED.

DESCRIPTION  
**V-STYLE SECTOR FRAME REINFORCEMENT KIT**

CPD NO.	DRAWN BY <b>CEK</b>	8/7/2019	ENG. APPROVAL
CLASS <b>81</b>	SUB <b>01</b>	DRAWING USAGE <b>CUSTOMER</b>	CHECKED BY <b>BMC</b> 8/19/2019

**SITE PRO 1**  
 Engineering Support Team:  
 1-888-753-7446  
 Locations:  
 New York, NY  
 Atlanta, GA  
 Los Angeles, CA  
 Plymouth, IN  
 Salem, OR  
 Dallas, TX

PART NO.	<b>VSK-SFR</b>	PAGE <b>1 OF 3</b>
DWG. NO.	<b>VSK-SFR</b>	



**TOLERANCE NOTES**

TOLERANCES ON DIMENSIONS, UNLESS OTHERWISE NOTED ARE:  
SAWED, SHEARED AND GAS CUT EDGES ( $\pm 0.030"$ )  
DRILLED AND GAS CUT HOLES ( $\pm 0.030"$ ) - NO CONING OF HOLES  
LASER CUT EDGES AND HOLES ( $\pm 0.010"$ ) - NO CONING OF HOLES  
BENDS ARE  $\pm 1/2$  DEGREE  
ALL OTHER MACHINING ( $\pm 0.030"$ )  
ALL OTHER ASSEMBLY ( $\pm 0.060"$ )

PROPRIETARY NOTE:  
THE DATA AND TECHNIQUES CONTAINED IN THIS DRAWING ARE PROPRIETARY INFORMATION OF VALMONT INDUSTRIES AND CONSIDERED A TRADE SECRET. ANY USE OR DISCLOSURE WITHOUT THE CONSENT OF VALMONT INDUSTRIES IS STRICTLY PROHIBITED.

DESCRIPTION  
V-STYLE SECTOR FRAME  
REINFORCEMENT KIT

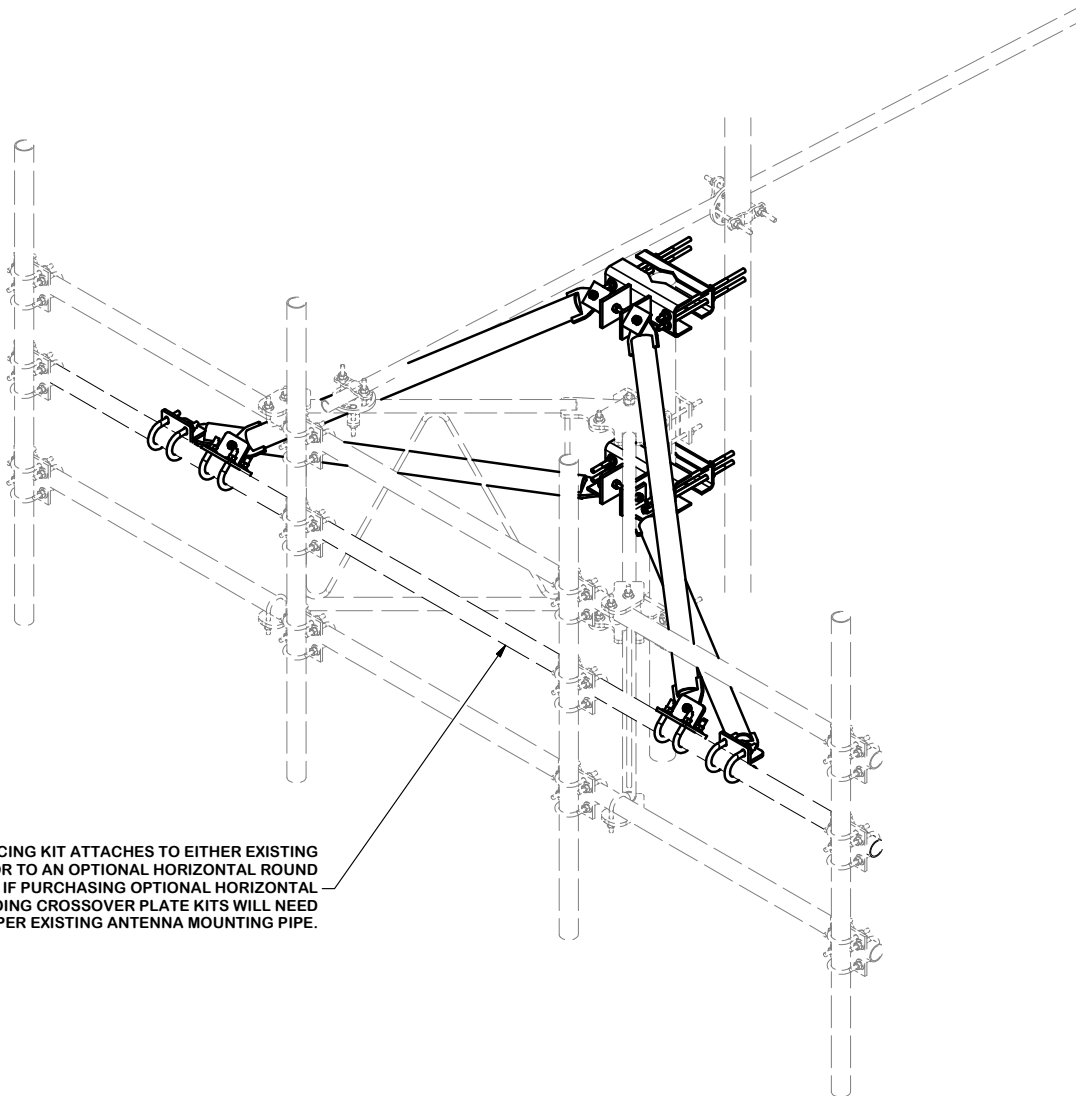
CPD NO.	DRAWN BY CEK 8/7/2019	ENG. APPROVAL
CLASS 81	SUB 01	DRAWING USAGE CUSTOMER
	CHECKED BY BMC 8/19/2019	

**SITE PRO 1**  
A valmont COMPANY

Engineering Support Team:  
1-888-753-7446

Locations:  
New York, NY  
Atlanta, GA  
Los Angeles, CA  
Plymouth, IN  
Salem, OR  
Dallas, TX

PART NO.	VSK-SFR	PAGE 2 OF 3
DWG. NO.	VSK-SFR	



SECTOR FRAME REINFORCING KIT ATTACHES TO EITHER EXISTING SECTOR FRAME CROSS ARMS OR TO AN OPTIONAL HORIZONTAL ROUND MEMBER (SHOWN, SOLD SEPARATELY). IF PURCHASING OPTIONAL HORIZONTAL ROUND MEMBER, CORRESPONDING CROSSOVER PLATE KITS WILL NEED TO BE PURCHASED, ONE PER EXISTING ANTENNA MOUNTING PIPE.

**TOLERANCE NOTES**

**TOLERANCES ON DIMENSIONS, UNLESS OTHERWISE NOTED ARE:  
 SAWED, SHEARED AND GAS CUT EDGES ( $\pm 0.030"$ )  
 DRILLED AND GAS CUT HOLES ( $\pm 0.030"$ ) - NO CONING OF HOLES  
 LASER CUT EDGES AND HOLES ( $\pm 0.010"$ ) - NO CONING OF HOLES  
 BENDS ARE  $\pm 1/2$  DEGREE  
 ALL OTHER MACHINING ( $\pm 0.030"$ )  
 ALL OTHER ASSEMBLY ( $\pm 0.060"$ )**

**PROPRIETARY NOTE:  
 THE DATA AND TECHNIQUES CONTAINED IN THIS DRAWING ARE PROPRIETARY INFORMATION OF VALMONT INDUSTRIES AND CONSIDERED A TRADE SECRET. ANY USE OR DISCLOSURE WITHOUT THE CONSENT OF VALMONT INDUSTRIES IS STRICTLY PROHIBITED.**

DESCRIPTION  
**V-STYLE SECTOR FRAME REINFORCEMENT KIT**

CPD NO.	DRAWN BY <b>CEK</b>	8/7/2019	ENG. APPROVAL
CLASS <b>81</b>	SUB <b>01</b>	DRAWING USAGE <b>CUSTOMER</b>	CHECKED BY <b>BMC</b>
			8/19/2019

**SITE PRO 1**  
 A valmont COMPANY

Engineering Support Team:  
 1-888-753-7446

Locations:  
 New York, NY  
 Atlanta, GA  
 Los Angeles, CA  
 Plymouth, IN  
 Salem, OR  
 Dallas, TX

PART NO.	<b>VSK-SFR</b>	PAGE
DWG. NO.	<b>VSK-SFR</b>	<b>3 OF 3</b>