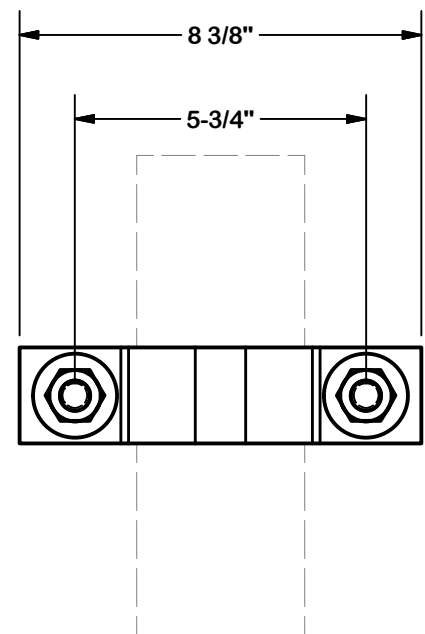
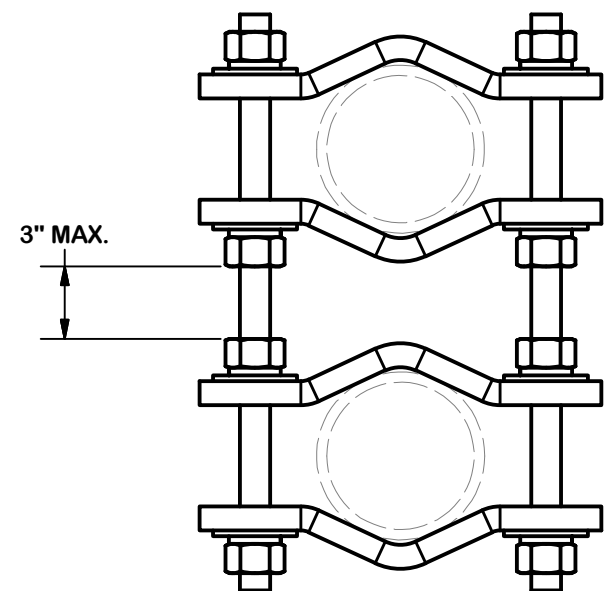
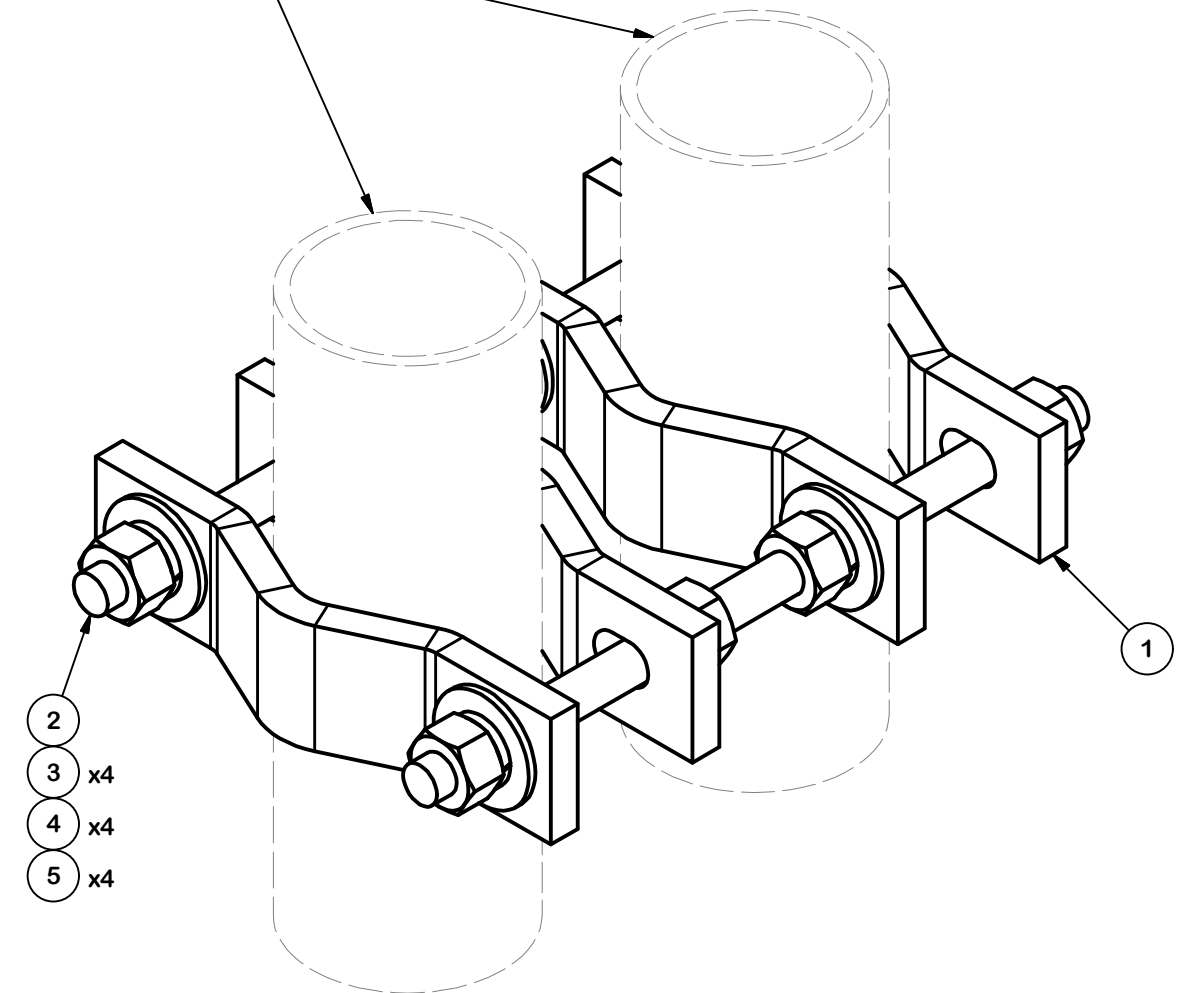


PARTS LIST						
ITEM	QTY	PART NO.	PART DESCRIPTION	LENGTH	UNIT WT.	NET WT.
1	4	VCP	1/2" x 2" FLAT STOCK (A36)	8 21/32 in	2.44	9.78
2	2	G58R-12	5/8" x 12" THREADED ROD (HDG.)		1.05	2.09
3	8	G58FW	5/8" HDG USS FLATWASHER		0.07	0.56
4	8	G58LW	5/8" HDG LOCKWASHER		0.03	0.21
5	8	G58NUT	5/8" HDG HEAVY 2H HEX NUT		0.13	1.04
					TOTAL WT. #	13.68



FITS 1.66" TO 4-1/2" OD PIPE
(ORDERED SEPARATELY)




Valmont Site Pro 1
Lori.Espinosa@valmont.com
(631) 715-3045
www.sitepro1.com

TOLERANCE NOTES

TOLERANCES ON DIMENSIONS, UNLESS OTHERWISE NOTED ARE:
 SAWED, SHEARED AND GAS CUT EDGES ($\pm 0.030"$)
 DRILLED AND GAS CUT HOLES ($\pm 0.030"$) - NO CONING OF HOLES
 LASER CUT EDGES AND HOLES ($\pm 0.010"$) - NO CONING OF HOLES
 BENDS ARE $\pm 1/2$ DEGREE
 ALL OTHER MACHINING ($\pm 0.030"$)
 ALL OTHER ASSEMBLY ($\pm 0.060"$)

PROPRIETARY NOTE:
THE DATA AND TECHNIQUES CONTAINED IN THIS DRAWING ARE PROPRIETARY INFORMATION OF VALMONT INDUSTRIES AND CONSIDERED A TRADE SECRET. ANY USE OR DISCLOSURE WITHOUT THE CONSENT OF VALMONT INDUSTRIES IS STRICTLY PROHIBITED.

DESCRIPTION			
PIPE TO PIPE CLAMP SET			
CPD NO.	DRAWN BY	ENG. APPROVAL	
	JFS 3/23/2020	5/10/2020	
CLASS	SUB	DRAWING USAGE	CHECKED BY
87	02	CUSTOMER	BMC 5/10/2020

 A valmont COMPANY	Locations: New York, NY Atlanta, GA Los Angeles, CA Plymouth, IN Salem, OR Dallas, TX
	Engineering Support Team: 1-888-753-7446
PART NO.	VZWSMART-MSK3
DWG. NO.	VZWSMART-MSK3