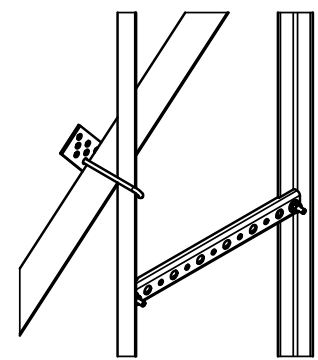


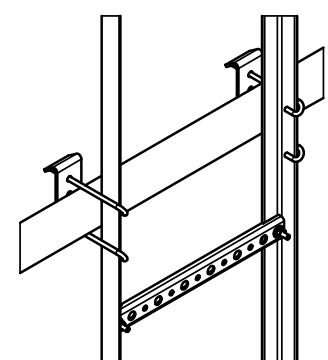
PARTS LIST						
ITEM	QTY	PART NO.	PART DESCRIPTION	LENGTH	UNIT WT.	NET WT.
1	2	X-WCL	20' GALVANIZED ANGLE	240 in	51.59	103.17
2	6	WG9	9 RUN WAVEGUIDE BRACKET		3.00	18.01
3	12	G3802	3/8" x 2" HDG HEX BOLT GR5		0.09	1.05
4	16	G38FW	3/8" HDG USS FLATWASHER		0.01	0.19
5	16	G38LW	3/8" HDG LOCKWASHER		0.01	0.11
6	16	G38NUT	3/8" HDG HEAVY 2H HEX NUT		0.03	0.54
7	2	SPLICE	SPLICE FOR GRIP STRUT	7 3/8 in	0.53	1.05
8	4	G38212	3/8" x 2-1/2" HDG HEX BOLT GR5		0.07	0.28
					TOTAL WT. #	124.41

UNIVERSAL LADDER ATTACHMENT KIT

P/N: CLK-U (SOLD SEPARATELY) USE AT LEAST 2 KITS PER 20' SECTION



FITS ANGLES
2" TO 5"



1" TO 4-1/2"
ROUND MEMBERS

TOLERANCE NOTE
 TOLERANCES ON DIMENSIONS, UNLESS OTHERWISE NOTED ARE:
 SAWED, SHEARED AND GAS CUT EDGES ($\pm 0.030"$)
 DRILLED AND GAS CUT HOLES ($\pm 0.030"$) - NO CONING OF HOLES
 LASER CUT EDGES AND HOLES ($\pm 0.010"$) - NO CONING OF HOLES
 BENDS ARE $\pm 1/2$ DEGREE - ALL OTHER MACHINING ($\pm 0.030"$)
 ALL OTHER ASSEMBLY ($\pm 0.060"$)

PROPRIETARY NOTE
 THE DATA AND TECHNIQUES CONTAINED IN THIS DRAWING ARE PROPRIETARY INFORMATION OF VALMONT INDUSTRIES AND CONSIDERED A TRADE SECRET. ANY USE OR DISCLOSURE WITHOUT THE CONSENT OF VALMONT INDUSTRIES IS STRICTLY PROHIBITED.

DESCRIPTION		9 RUN CABLE LADDER	
DRAWN BY	CPD NO.	DRAWING USAGE	PART NO.
CEK	1/17/2012	CUSTOMER	WCL9
ENG. APPROVAL	CHECKED BY	DWG. NO.	WCL9
	BMC	1/17/2012	

SITE PRO 1
 Engineering Support Team:
 1-888-753-7446

Locations:
 New York, NY
 Atlanta, GA
 Los Angeles, CA
 Plymouth, IN
 Salem, OR
 Dallas, TX

A valmont COMPANY