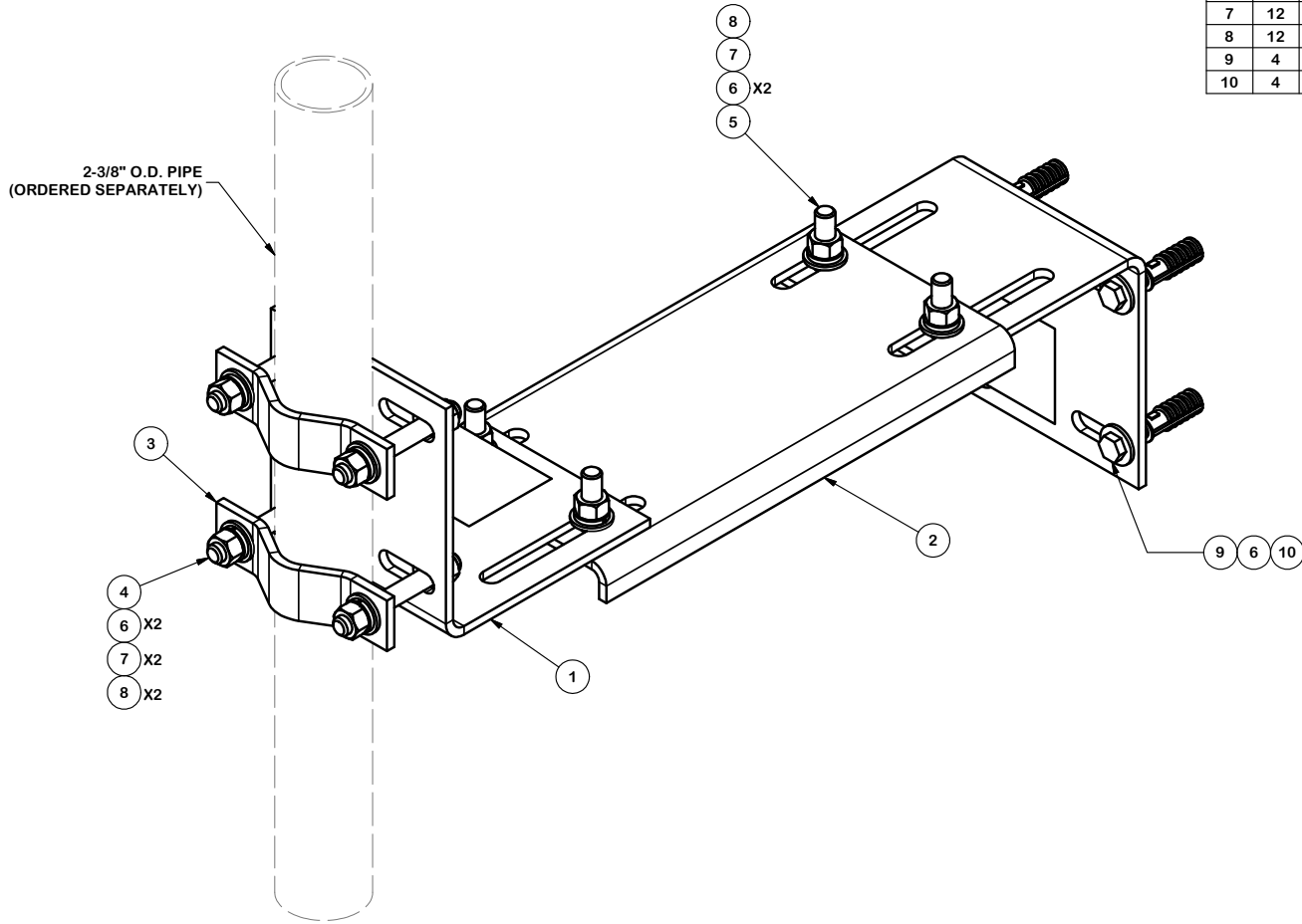


2-3/8" O.D. PIPE
(ORDERED SEPARATELY)



PARTS LIST					
ITEM	QTY	PART DESCRIPTION	LENGTH	UNIT WT.	NET WT.
1	2	WALL MOUNT BRACKET		6.13	12.26
2	1	EXTENSION PLATE		7.85	7.85
3	2	1.5" - 3.5" O.D. CLAMP HALF		0.61	1.22
4	4	1/2"-13 UNC X 4" GALV THREADED ROD		0.22	0.89
5	4	1/2" X 2" GALV BOLT		0.16	0.65
6	20	1/2" GALV FLAT WASHER		0.02	0.38
7	12	1/2" GALV LOCK WASHER		0.01	0.16
8	12	1/2"-13 UNC GALV HEX NUT		0.04	0.52
9	4	1/2" X 2-1/2" GALV LAG SCREW		0.07	0.27
10	4	1/2" SHORT GALV LAG SHIELD		0.07	0.26
				TOTAL WT. #	24.45

TOLERANCE NOTES

TOLERANCES ON DIMENSIONS, UNLESS OTHERWISE NOTED ARE:
 SAWED, SHEARED AND GAS CUT EDGES ($\pm 0.030"$)
 DRILLED AND GAS CUT HOLES ($\pm 0.030"$) - NO CONING OF HOLES
 LASER CUT EDGES AND HOLES ($\pm 0.010"$) - NO CONING OF HOLES
 BENDS ARE $\pm 1/2$ DEGREE
 ALL OTHER MACHINING ($\pm 0.030"$)
 ALL OTHER ASSEMBLY ($\pm 0.060"$)

PROPRIETARY NOTE:
 THE DATA AND TECHNIQUES CONTAINED IN THIS DRAWING ARE PROPRIETARY INFORMATION OF VALMONT INDUSTRIES AND CONSIDERED A TRADE SECRET. ANY USE OR DISCLOSURE WITHOUT THE CONSENT OF VALMONT INDUSTRIES IS STRICTLY PROHIBITED.

DESCRIPTION
 UNIVERSAL ADJUSTABLE
 WALL MOUNT,
 14" - 24" STANDOFF

CPD NO.	DRAWN BY	ENG. APPROVAL
CLASS	DRAWING USAGE	CHECKED BY
81	01	CUSTOMER
		BMC 2/3/2015



Engineering
 Support Team:
 1-888-753-7446

Locations:
 New York, NY
 Atlanta, GA
 Los Angeles, CA
 Plymouth, IN
 Salem, OR
 Dallas, TX

PART NO.	WMU-24S
DWG. NO.	WMU-24S