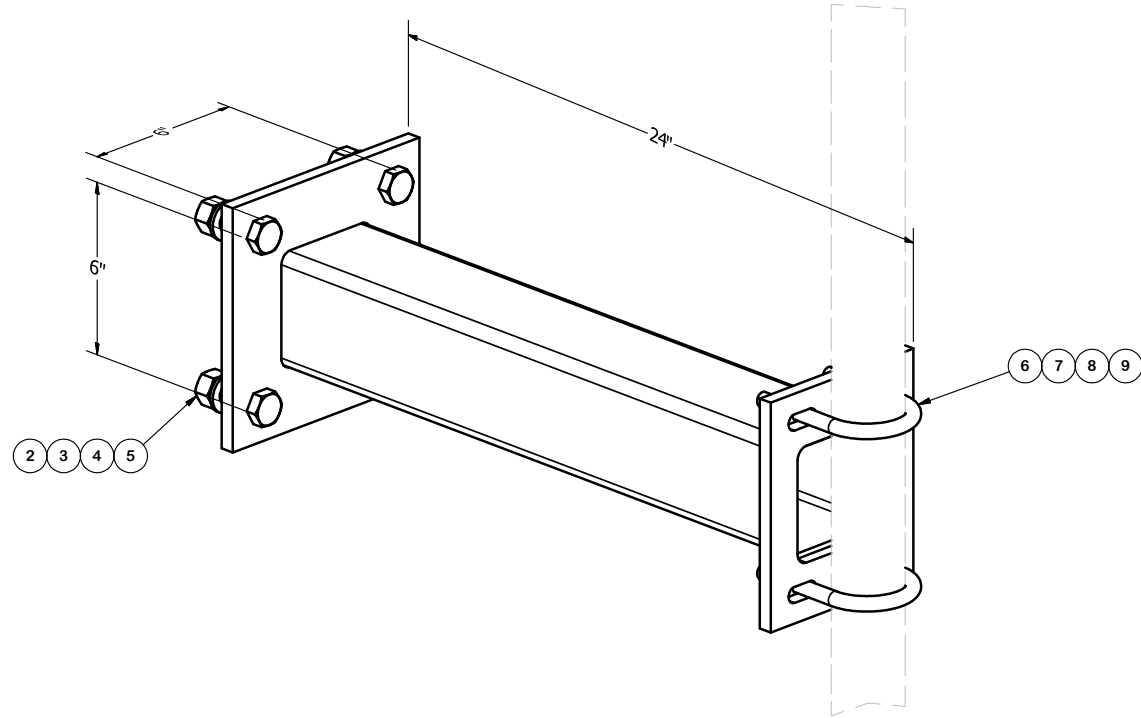


PARTS LIST						
ITEM	QTY	PART NO.	PART DESCRIPTION	LENGTH	UNIT WT.	NET WT.
1	1	X-WWM02	2' STAND-OFF ARM / WALL MOUNT		30.70	30.70
2	4	A582112	5/8" x 2-1/2" HDG A325 HEX BOLT		0.33	1.34
3	4	A58FW	5/8" HDG A325 FLATWASHER		0.03	0.14
4	4	G58LW	5/8" HDG LOCKWASHER		0.03	0.10
5	4	A58NUT	5/8" HDG A325 HEX NUT		0.13	0.52
6	2	X-UB1212	1/2" X 2-1/2" X 4-1/2" X 2" GALV. U-BOLT		0.66	1.33
6	2	X-UB1300	1/2" X 3" X 5" X 2" GALV U-BOLT		0.74	1.48
6	2	X-UB1358	1/2" X 3-5/8" X 5-1/2" X 3" GALV U-BOLT		0.77	1.54
7	4	G12FW	1/2" HDG USS FLATWASHER	3/32 in	0.03	0.14
8	4	G12LW	1/2" HDG LOCKWASHER	1/8 in	0.01	0.06
9	4	G12NUT	1/2" HDG HEAVY 2H HEX NUT		0.07	0.29
TOTAL WT. #						37.47



DETAIL A

TOLERANCE NOTES

TOLERANCES ON DIMENSIONS, UNLESS OTHERWISE NOTED ARE:
 SAWED, SHEARED AND GAS CUT EDGES ($\pm 0.030"$)
 DRILLED AND GAS CUT HOLES ($\pm 0.030"$) - NO CONING OF HOLES
 LASER CUT EDGES AND HOLES ($\pm 0.010"$) - NO CONING OF HOLES
 BENDS ARE $\pm 1/2$ DEGREE
 ALL OTHER MACHINING ($\pm 0.030"$)
 ALL OTHER ASSEMBLY ($\pm 0.060"$)

PROPRIETARY NOTE:
 THE DATA AND TECHNIQUES CONTAINED IN THIS DRAWING ARE PROPRIETARY INFORMATION OF VALMONT INDUSTRIES AND CONSIDERED A TRADE SECRET. ANY USE OR DISCLOSURE WITHOUT THE CONSENT OF VALMONT INDUSTRIES IS STRICTLY PROHIBITED.

DESCRIPTION
 2' STAND-OFF
 WIRELESS WALL MOUNT,
 SITE PRO 1

CPD NO. 4714	DRAWN BY RH18 3/23/2010	ENG. APPROVAL
CLASS 81	SUB 01	DRAWING USAGE CUSTOMER
CHECKED BY BMC 5/10/2010		



Locations:
 New York, NY
 Atlanta, GA
 Los Angeles, CA
 Plymouth, IN
 Salem, OR
 Dallas, TX

Engineering
 Support Team:
 1-888-753-7446

A valmont COMPANY

PART NO. WWM02	PAGE 1 OF 1
DWG. NO. WWM02	